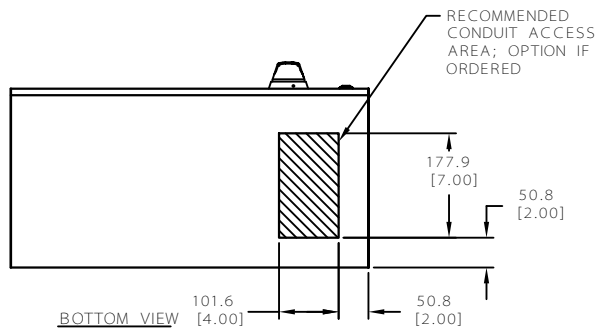
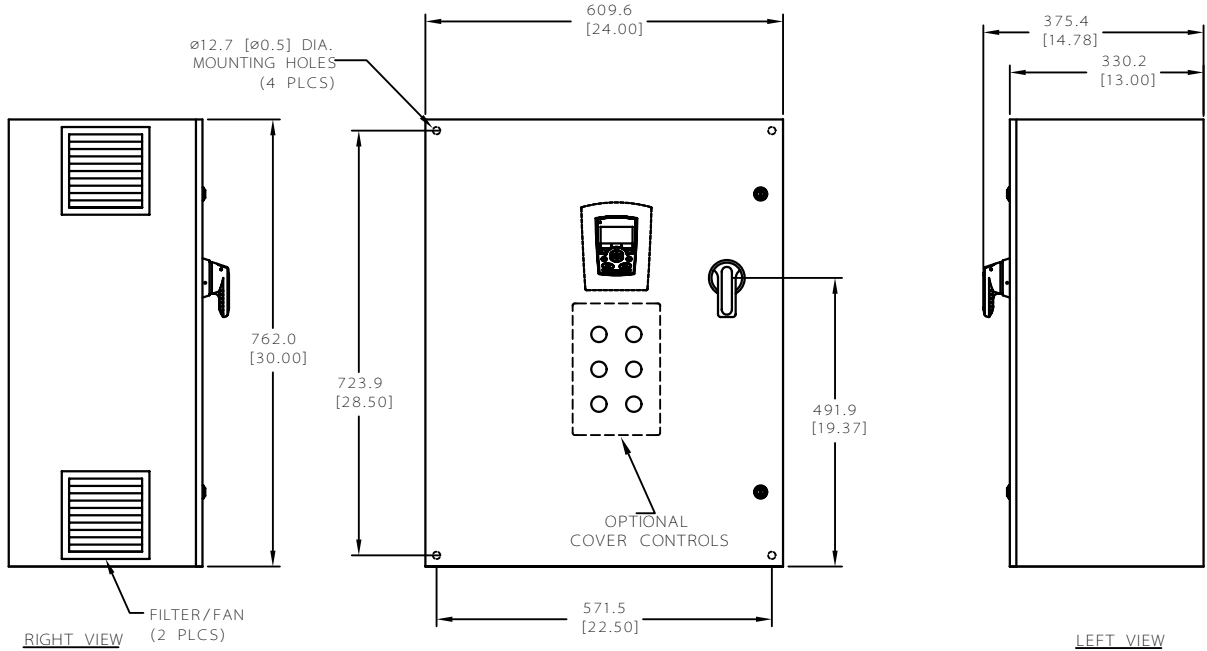
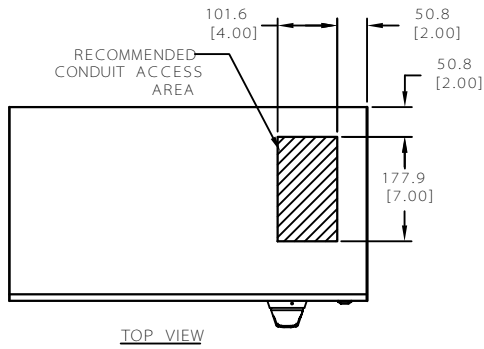


We reserve all rights in this document and the information contained therein. Reproduction, use, or disclosure to third parties without express written authority is strictly forbidden. ABB Inc. (USA)

F - 3BUA0980502 - d, rev. 1, special



NOTES:

1. DIMENSIONS SHOWN ARE IN MILLIMETERS [INCHES]
2. ALLOW 4-6" BETWEEN ENCLOSURES
3. UL LISTED TYPE 1 ENCLOSURE MANUFACTURED TO NEMA 12

ECO #	500000004623	Rev. descr.	REVISED ALL DRAWINGS WITH CLERICAL ERRORS			
Prep.	USINY/ M.SVETLIK	07/27/2015	Title	DIMENSIONAL DRAWING		
Appr.	USINY/ C. BRAUN	07/27/2015		AMC SIZE 302412		
Resp. dept.	USINY/			UL TYPE 1/NEMA 12		
ABB Inc.			Document number	3AUA0000012802	Lang.	EN
			Rev. ind.	B	Sheet	1