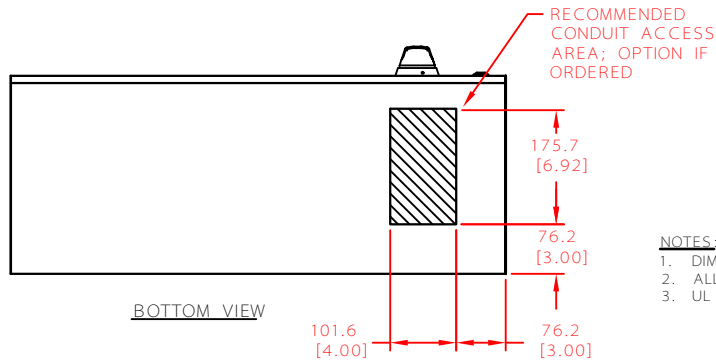
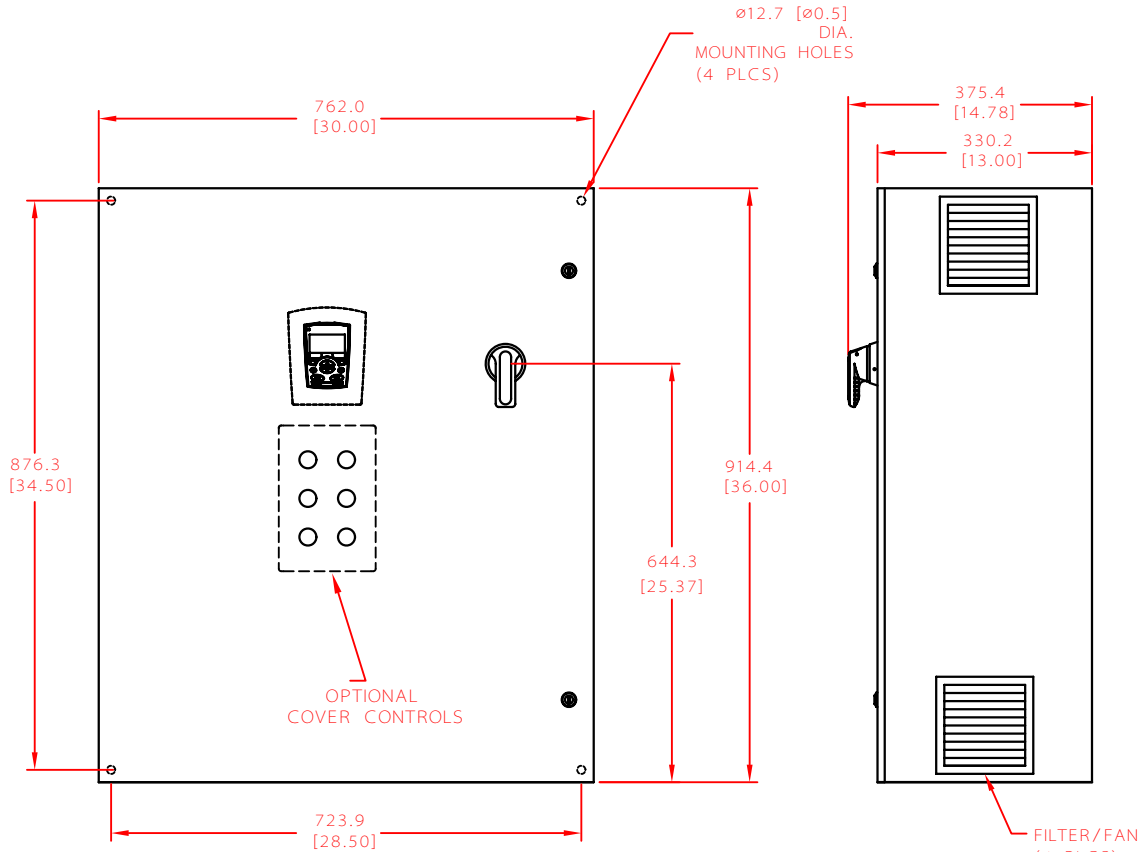
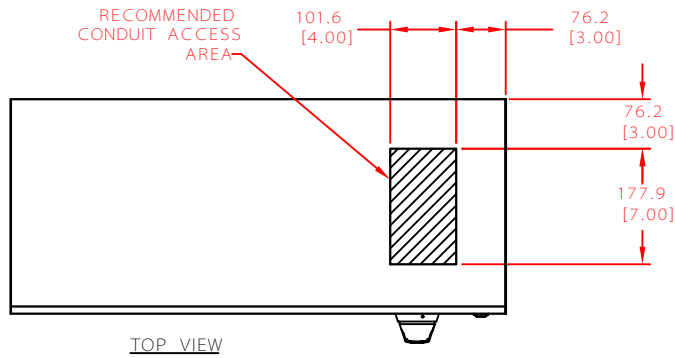


We reserve all rights in this document and the information contained therein. Reproduction, use, or disclosure to third parties without express written authority is strictly forbidden. ABB Inc. (USA)



- NOTES:
1. DIMENSIONS SHOWN ARE IN MILLIMETERS [INCHES]
 2. ALLOW 4 - 6" BETWEEN ENCLOSURES
 3. UL LISTED TYPE 1 ENCLOSURE MANUFACTURED TO NEMA 12

ECO # 500000004623

Rev. descr. REVISED ALL DRAWINGS WITH CLERICAL ERRORS

Prep. USINY/

M.SVETLIK

07/27/2015

Title DIMENSIONAL DRAWING

Cont. sh.

Appr. USINY/

C. BRAUN

07/27/2015

AMC SIZE 363012



Resp. dept. USINY/

UL TYPE 1/NEMA 12

ABB ABB Inc.

Document number

3AUA0000012803

Lang.

EN

Rev. ind.

B

Sheet

1

F - 3BUA0980502 - d, rev. 1, special