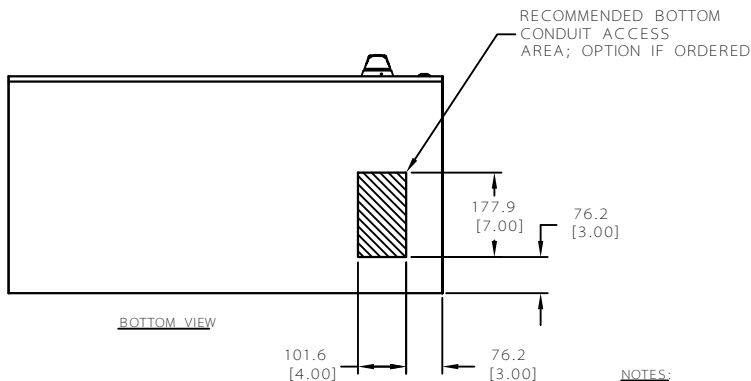
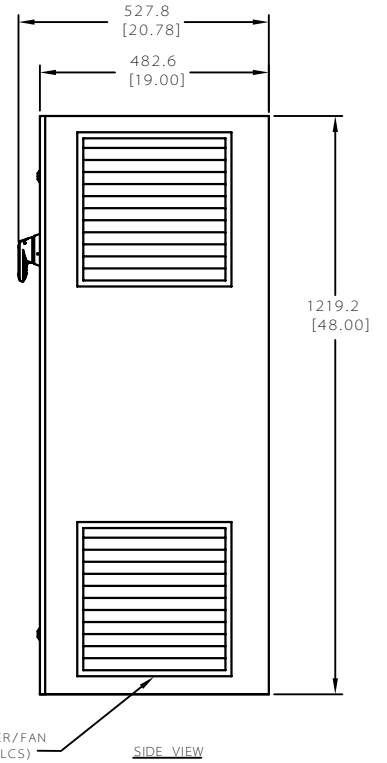
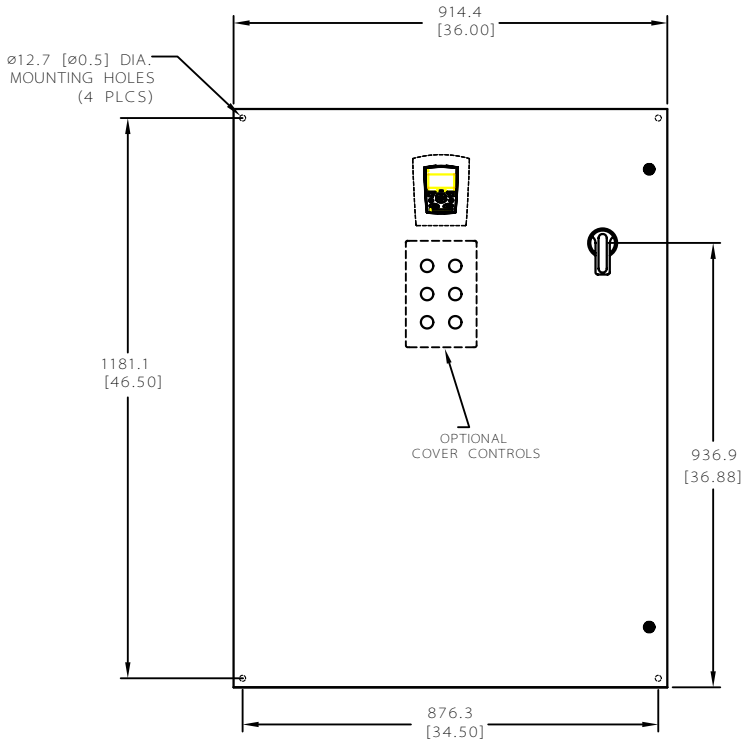
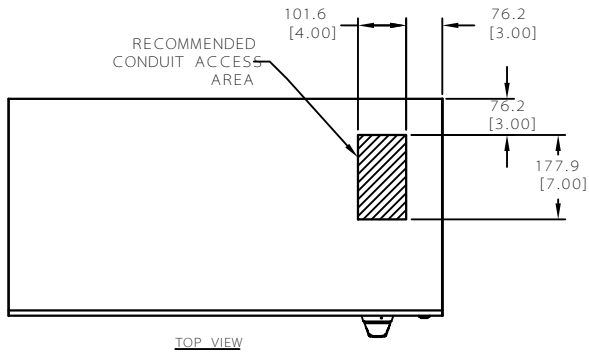


We reserve all rights in this document and the information contained therein. Reproduction, use, or disclosure to third parties without express written authority is strictly forbidden. ABB Inc. (USA)

F - 3BUA0980502 - d, rev. 1, special



- NOTES:**
1. DIMENSIONS SHOWN ARE IN MILLIMETERS [INCHES]
  2. ALLOW 4-6" BETWEEN ENCLOSURES
  3. UL LISTED TYPE 1 ENCLOSURE MANUFACTURED TO NEMA 12

ECO # <b>500000004623</b>		Rev. descr. <b>REVISED ALL DRAWINGS WITH CLERICAL ERRORS</b>		Title <b>DIMENSIONAL DRAWING AMC SIZE 483618 UL TYPE 1/NEMA 12</b>		Cont. sh.		
Prep.	<b>USINY/ M.SVETLIK</b>		<b>07/27/2015</b>	Document number <b>3AUA0000012804</b>		Lang. <b>EN</b>	Rev. ind. <b>B</b>	
Appr.	<b>USINY/ C. BRAUN</b>		<b>07/27/2015</b>					Sheet <b>1</b>
Resp. dept.	<b>USINY/</b>							
<b>ABB</b> ABB Inc.								