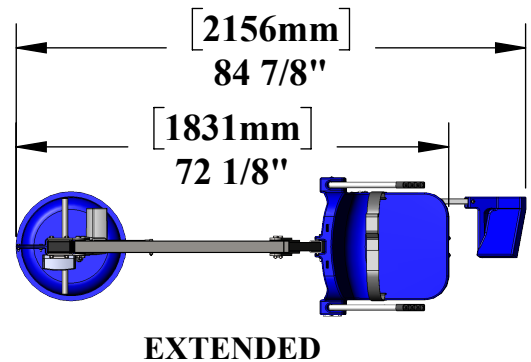
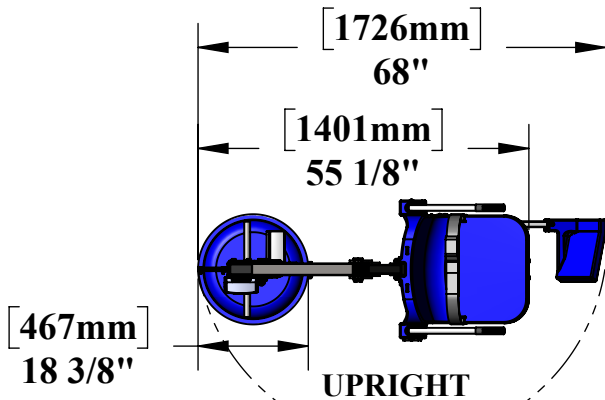
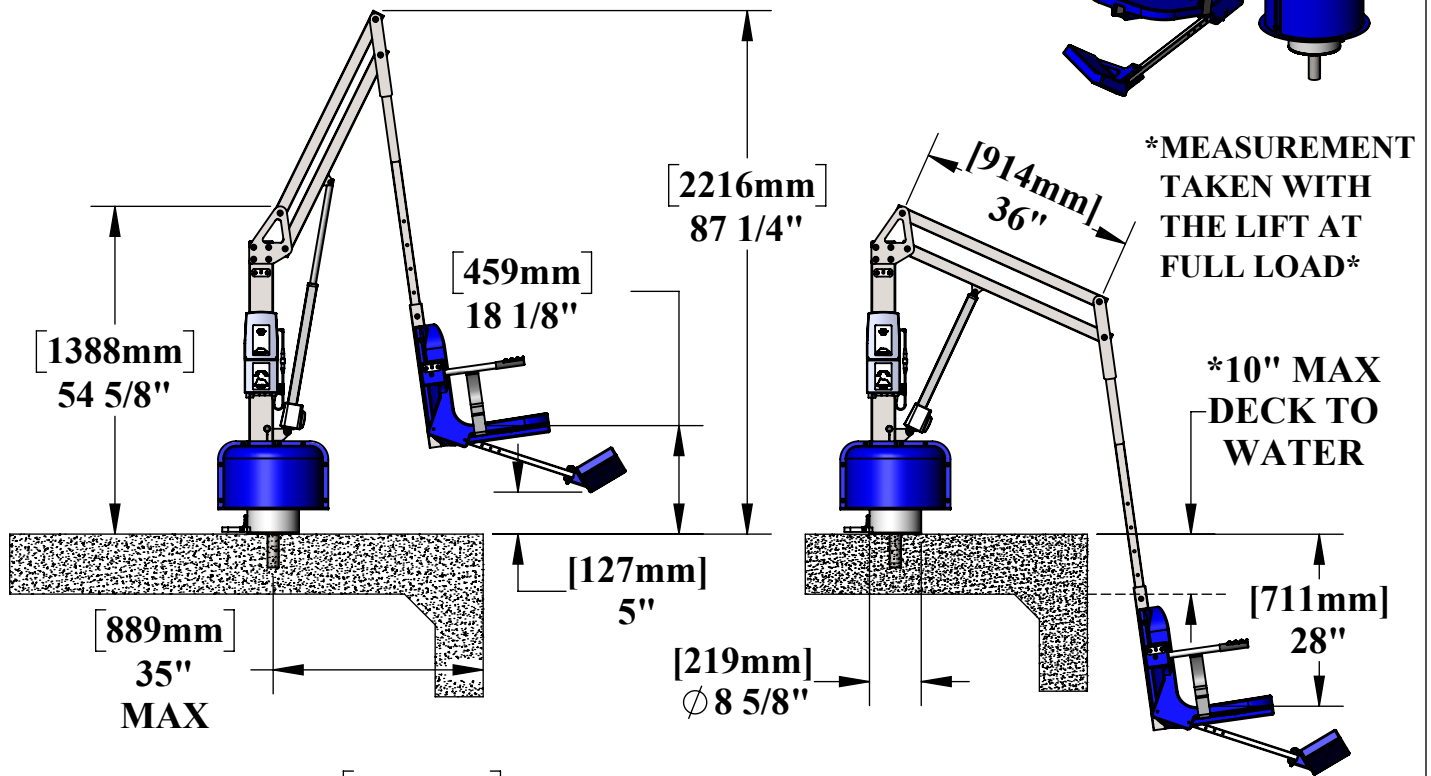
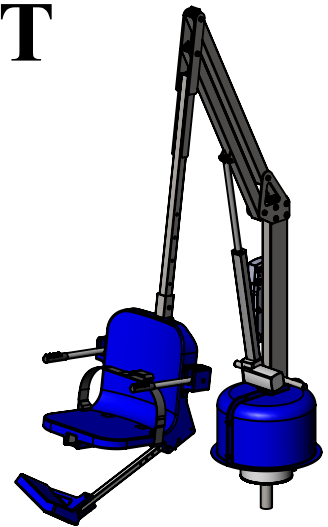


# SCOUT 2 POOL LIFT

U.S. PATENT NO. D507,769 S

**PRODUCT WEIGHT:** 210lbs [95kg]  
**MAX WEIGHT CAPACITY:** 375lbs [170kg]  
**MIN ANCHOR SETBACK:** 19"  
**MAX ANCHOR SETBACK:** 35"  
**MAX WATER DRAFT:** \*10"  
**SEAT HEIGHT ADJUSTMENT:** 16" IN 4" INCREMENTS  
**ADA COMPLIANCE:** THIRD PARTY VERIFIED BY WYLE LABS  
**VERTICAL TRAVEL DISTANCE:** 46"



**CONTINUOUS  
360° ROTATION**



Inspected And Verified To Meet  
Applicable Sections of ADA  
Guidelines Section 1009.2 By  
**wyle**  
laboratories  
A Registered ISO 9001  
Laboratory



9889 GARRYMORE LANE  
 MISSOULA, MT 59808  
 (406) 549-0769  
 FAX (406) 549-2602

NOTE:  
 \*SPECIFICATIONS ARE SUBJECT TO CHANGE WITHOUT NOTICE

PRODUCT:		SCOUT 2 LIFT	
PART #:		F-802SC2	
SCALE:	1:32	DATE:	5/9/2017
DRAWN BY:	KR	REVISION:	A