

Grating Fasteners

- Stainless steel clips and fasteners sold separately
- See installation instructions for more details

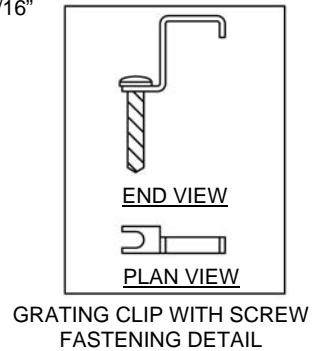
Colors

- Grate available in White (WT), Bone (BO) & Gray (GY)

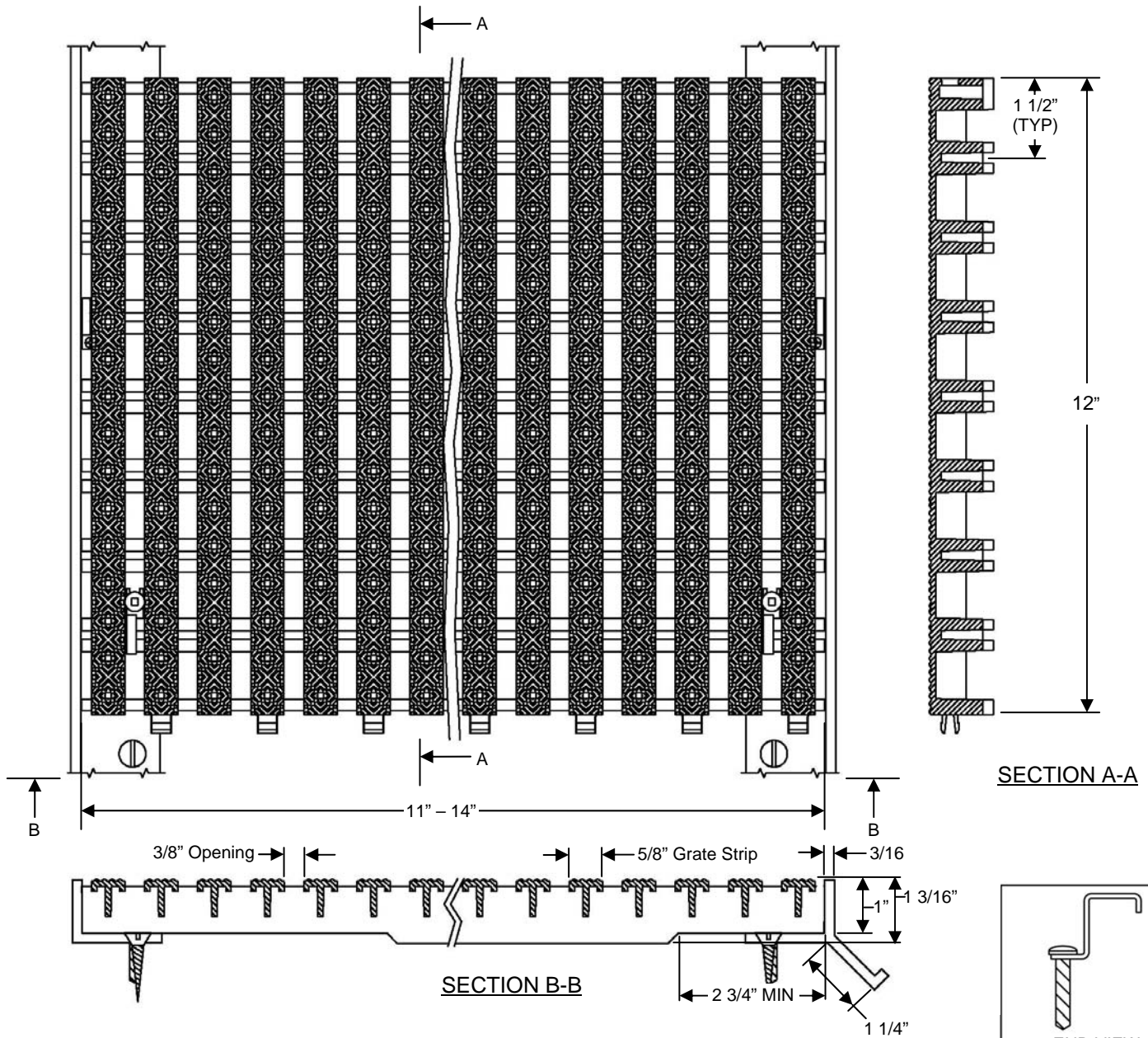
Notes

- PVC Parallel Straight Grate, 11" to 14" widths in 1" increments
- Non-Skid Surface, 37.5% flow space
- ASTM G-154, 750 Hours UV, ANSI/APSP-16
- ASTM C-1028 Static coefficient of friction, wet and dry

All drawing dimensions supplied by Neptune-Benson, LLC are for reference only. All drawings were created using AutoCAD file format (*.dwg) and are presented as a service to our customers. Errors sometimes occur during this process and with software incompatibility upon opening a file. Neptune-Benson, LLC and/or any authorized distributor of our products will not be held responsible for problems arising from files which have been converted and does not warranty the documents against deficiencies or typographical errors of any kind. We recommend that all measurements are verified with actual physical product before any custom fabrication in the field occurs.



GRATING SIZES	
Part Number (White)	Description
PA-12-WT	Grate Parallel 12"
PA-14-WT	Grate Parallel 14"
PA-FASTSET-S	Straight Fastening Set



Grating Fasteners

- Stainless steel clips and fasteners sold separately
- See installation instructions for more details

Colors

- Grate available in White (WT), Bone (BO) & Gray (GY)

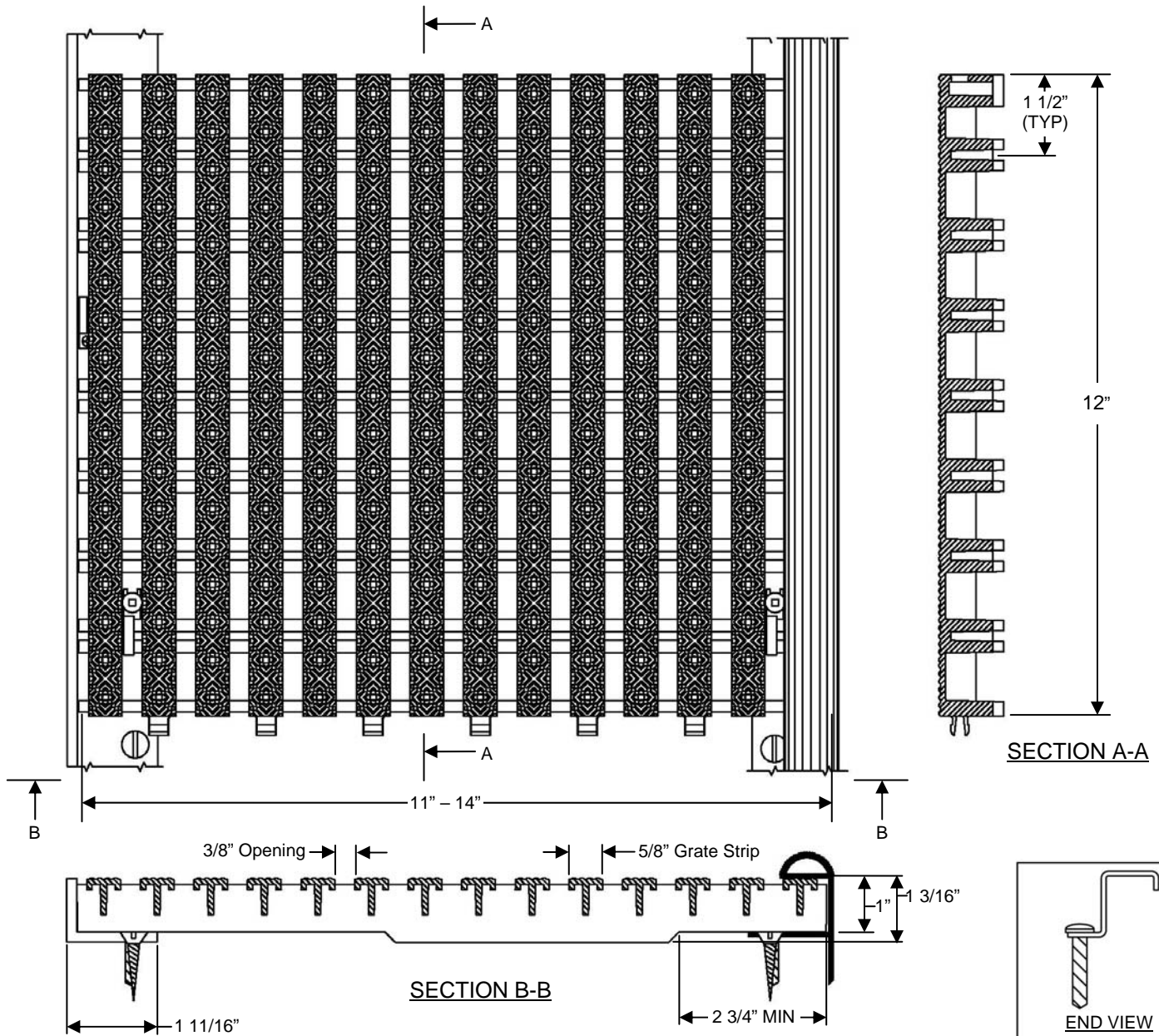
Notes

- PVC Parallel Straight Grate, 11" to 14" widths in 1" increments
- Non-Skid Surface, 37.5% flow space
- ASTM G-154, 750 Hours UV, ANSI/APSP-16
- ASTM C-1028 Static coefficient of friction, wet and dry

All drawing dimensions supplied by Neptune-Benson, LLC are for reference only. All drawings were created using AutoCAD file format (*.dwg) and are presented as a service to our customers. Errors sometimes occur during this process and with software incompatibility upon opening a file. Neptune-Benson, LLC and/or any authorized distributor of our products will not be held responsible for problems arising from files which have been converted and does not warranty the documents against deficiencies or typographical errors of any kind. We recommend that all measurements are verified with actual physical product before any custom fabrication in the field occurs.

GRATING CLIP WITH SCREW FASTENING DETAIL

GRATING SIZES	
Part Number (White)	Description
PA-12-WT	Grate Parallel 12"
PA-14-WT	Grate Parallel 14"
PA-FASTSET-S	Straight Fastening Set
CA-TAIL-WT	Curb Angle with Tail
CA-NOTAIL-WT	Curb Angle no Tail



Grating Fasteners

- Stainless steel clips and fasteners sold separately
- See installation instructions for more details

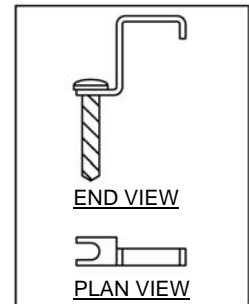
Colors

- Grate available in White (WT), Bone (BO) & Gray (GY)

Notes

- PVC Parallel Straight Grate, 11” to 14” widths in 1” increments
- Non-Skid Surface, 37.5% flow space
- ASTM G-154, 750 Hours UV, ANSI/APSP-16
- ASTM C-1028 Static coefficient of friction, wet and dry

All drawing dimensions supplied by Neptune-Benson, LLC are for reference only. All drawings were created using AutoCAD file format (*.dwg) and are presented as a service to our customers. Errors sometimes occur during this process and with software incompatibility upon opening a file. Neptune-Benson, LLC and/or any authorized distributor of our products will not be held responsible for problems arising from files which have been converted and does not warranty the documents against deficiencies or typographical errors of any kind. We recommend that all measurements are verified with actual physical product before any custom fabrication in the field occurs.



GRATING CLIP WITH SCREW FASTENING DETAIL

GRATING SIZES	
Part Number (White)	Description
PA-12-WT	Grate Parallel 12”
PA-14-WT	Grate Parallel 14”
PA-FASTSET-S	Straight Fastening Set
CA-NOTAIL-WT	Curb Angle no Tail
HH-WT	Hand Hold

QuietFlow®

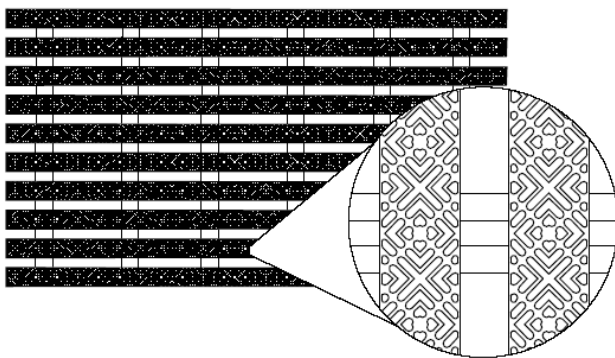
Designed to capture and disperse water surge in a matter of inches and speed flow rate.

To meet the requirements of indoor and outdoor commercial pools, competition pools and the most distinctive pool designs in the aquatics industry, Lawson Aquatics™ has designed a high tech, high performance system of parallel grating (patent pending), either straight or radius, that follows the contours of any rim-flow pool design.

Our QuietFlow® parallel grating is designed to capture and disperse water surge in a matter of inches, and speed flow rate. The result is a significantly quieter, faster pool without the excessive cost of building sloped or wider gutters.

FEATURES

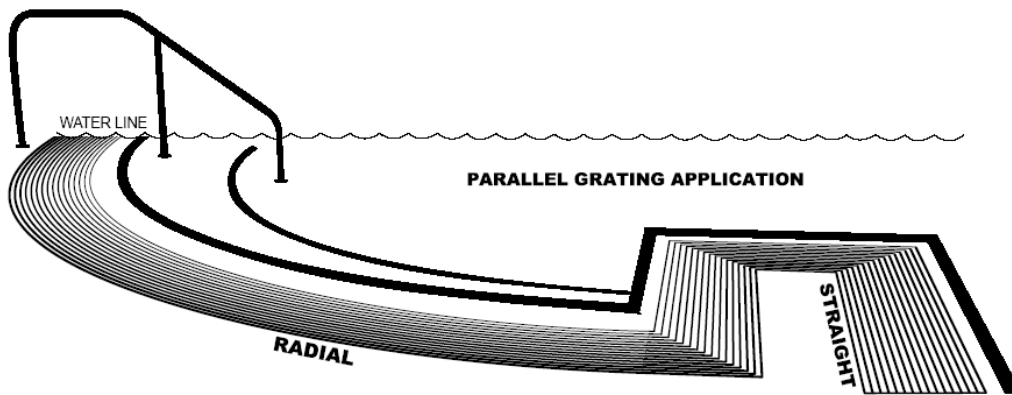
- QuietFlow™ complies with federal ADA regulations.
- Wet or Dry – with rigid, non-slip comfort under foot.
- Available in 3 standard colors – White, Gray, and Bone.
- Ten year warranty.



Exclusive Lawson Design
SuperGrip™

SPECIFICATIONS

Size	11" to 14" widths in 1" increments
Material	PVC
Surface	Non-Skid surface
Grate Colors	White (WT), Bone (BO) & Gray (GY)
Open Area	37.5%
Rating	ASTM G-154 750 Hours UV ASTM C-1028 static coefficient of friction, wet and dry ANSI/APSP-16



STRAIGHT

Sections of UV stabilized PVC grating in on foot lengths x widths of 6" to 18" in one inch increments. Individual pieces snap together to accommodate the length of the straight sections. The top surface of both types of parallel grating shall have a raised diamond ridge design to create good friction, wet or dry, ensuring that decks are safer with rigid, non-slip comfort underfoot.

RADIUS

Sections of UV stabilized PVC grating in 24" long pieces connected end to end to accommodate the length of the radius sections. The width is in multiples of one inch, from 6" to 18" wide. For sizes 6-10" there shall be cross supports spaced at 6" (max) intervals around the perimeter to span the gutter opening, and to accept the parallel bars. Place supports at 4" OC for sizes 11-18". The cross supports are designed to maintain the space between the pieces not to exceed 0.375". The parallel radius bars are designed to attach directly into the straight sections for a clean transition. Field bend radii 15 feet and greater. Radii between 15'-5" must be factory bent and field installed. Not recommended for radii smaller than 5'.

R 11/3/14