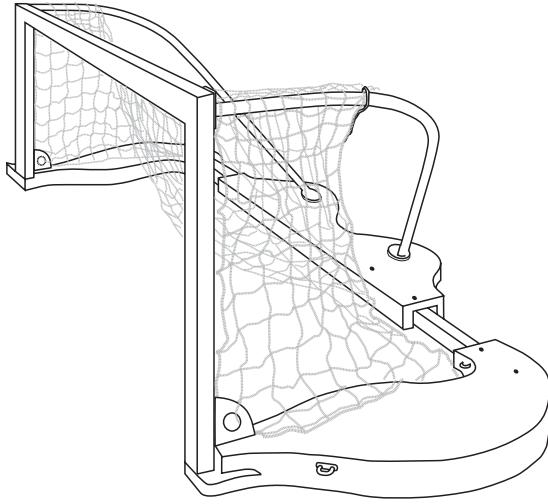


# ANTI WAVE POOL PRODUCTS

## "ODYSSEY" FLOATING GOAL Specifications Sheet

### "ODYSSEY" GOAL SPECIFICATIONS

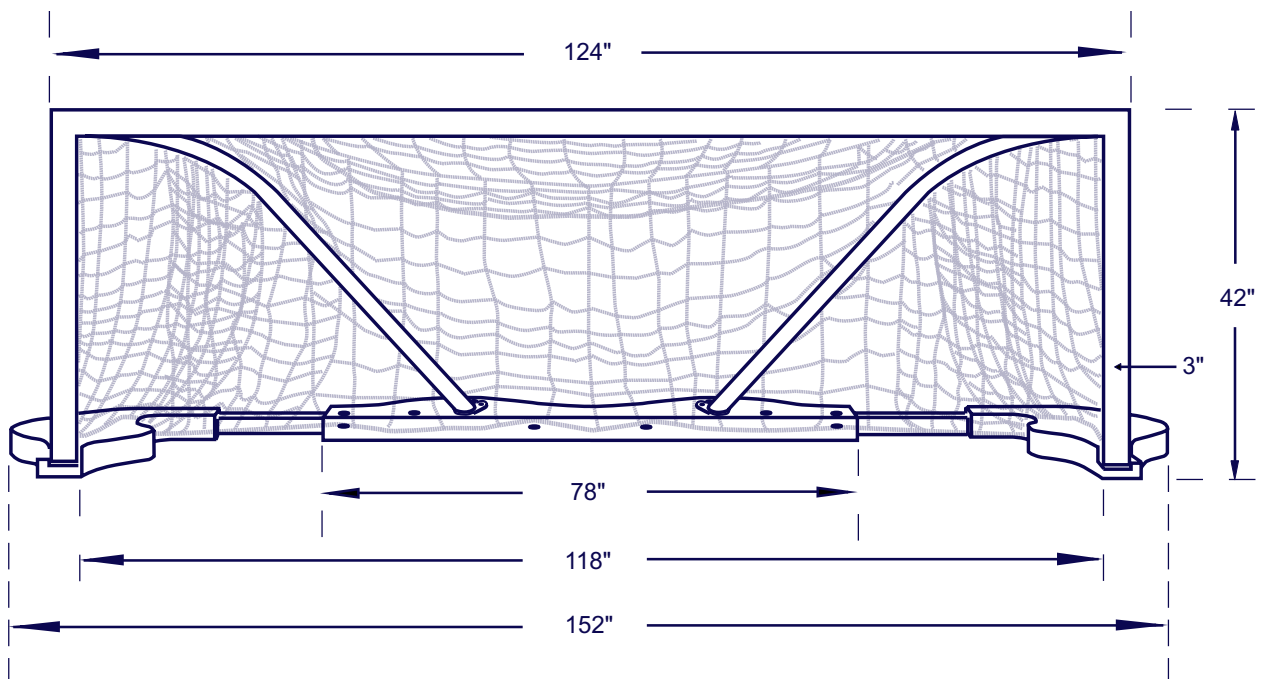


The "ODYSSEY"  
Floating Goal  
is supported  
by a 3-year warranty.

The "ODYSSEY" GOAL is a floating water polo goal that was designed for and used in the 2000 Sydney Olympics. It conforms to all **National** and **International** standards. The goal's one-piece welded upright/crossbar assembly, single back brace and two rear struts are all made from white powder-coated aluminum extrusion. Three heavy-duty hand-laid fiberglass floatation panels (two sides and one rear) provide the necessary buoyancy.

It is recommended that the goal be anchored in the pool using **AntiWave "ForeRunner"** racing lane sections.

### FRONT VIEW / PRINCIPAL DIMENSIONS



**ANTI WAVE** POOL PRODUCTS "Simply the Best"

1144 Northwest 53<sup>rd</sup> Street, Seattle, WA 98107

Tel: 206.676.8209 Fax: 206.784.9708 [www.antiwave.com](http://www.antiwave.com)

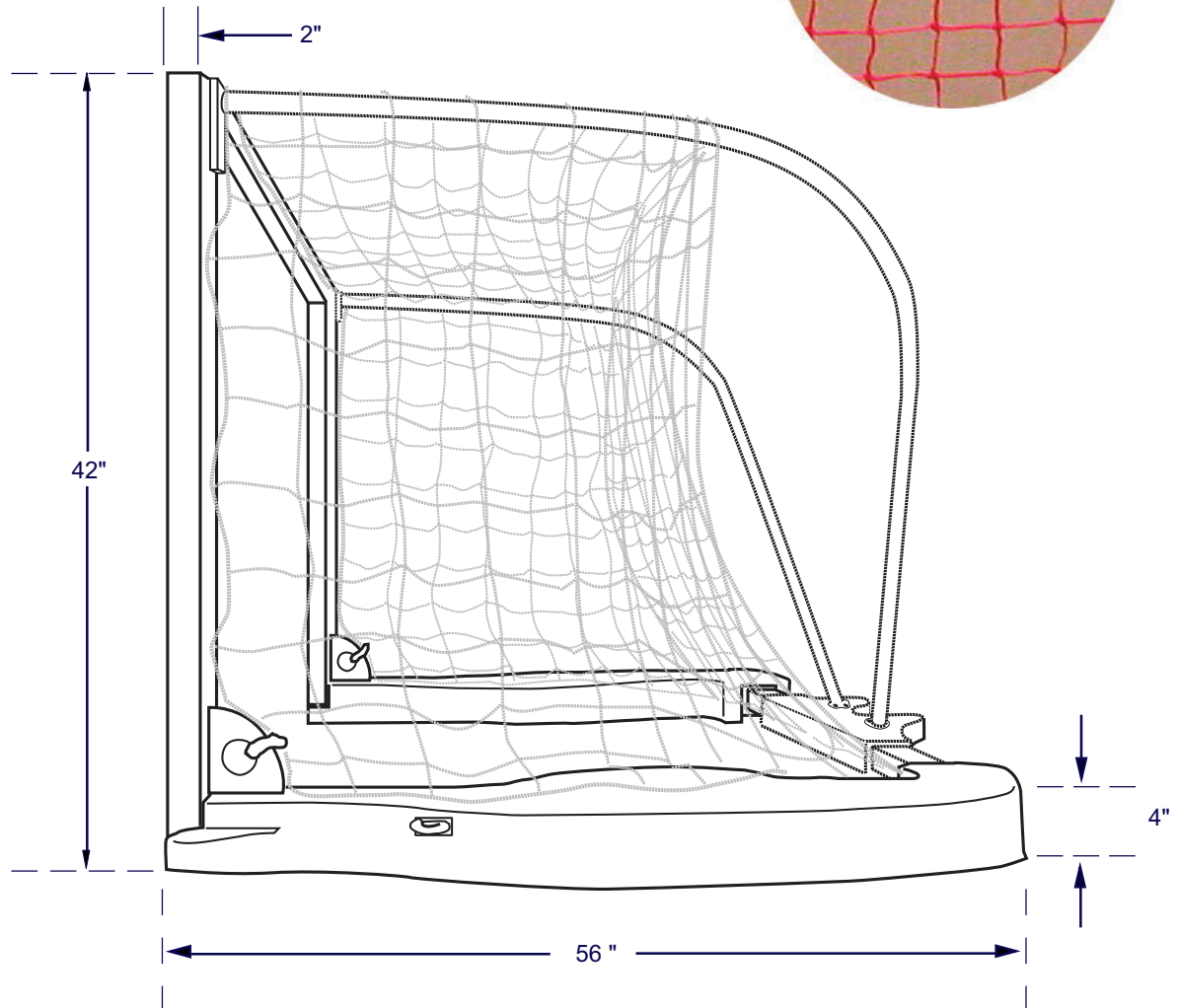
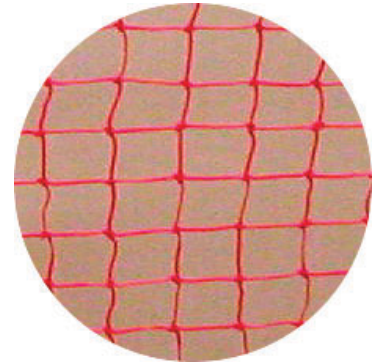


# ANTI WAVE POOL PRODUCTS

## "ODYSSEY" FLOATING GOAL Specifications Sheet

### SIDE VIEW / PRINCIPAL DIMENSIONS

The mesh net is made from tough polypropylene rope.



### SHIPPING SPECIFICATIONS

"ODYSSEY" Floating Goal:

110#

(1 carton, will ship by truck)



**ANTI WAVE** POOL PRODUCTS *"Simply the Best"*

1144 Northwest 53<sup>rd</sup> Street, Seattle, WA 98107

Tel: 206.676.8209 Fax: 206.784.9708 [www.antiwave.com](http://www.antiwave.com)

