

# 18" SQUARE MUD FRAME WITH FOUR 9" SQUARE STAR SUCTION OUTLET COVERS AND VENTED RISER RINGS

## VGB Series

The AquaStar line of suction outlet covers, compliant with the Virginia Graeme-Baker Pool and Spa Safety Act (ANSI/APSP 16-2011 and NSF/ANSI 50-2009a)

### FEATURES

For single or multiple drain use  
6" minimum sump depth  
(see installation instructions)

Single – 6" sump depth  
Floor/wall: 740 GPM at 1.5 fps

160.8 square inch opening

#316 stainless steel screws

Trademarked VGB compliance button  
easily identifies VGB 2008 compliant cover  
from on deck and underwater

Manufactured from superior  
UV-resistant engineered polymers

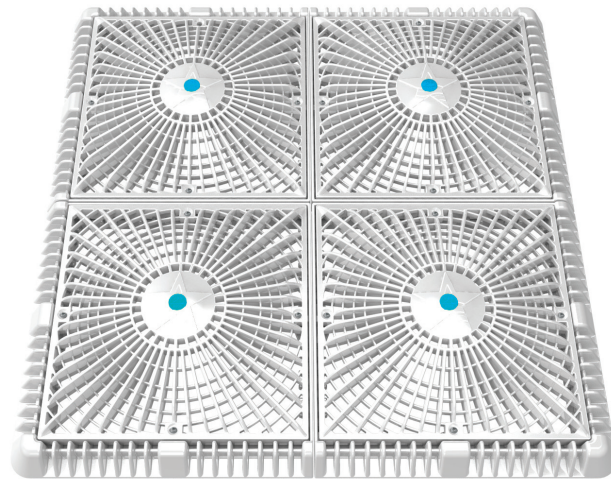
Easily and safely retrofits to 18" square  
¾" deep frames

All components (cover, frame, screws)  
meet or exceed ANSI/APSP 16-2011 and  
NSF/ANSI 50-2009a national standards  
and ASTM G154 UV testing exposure

Replace drain cover every five years from the  
date of installation

4 per case

U.S. patents D623728 and D663388



Part # P18xxx

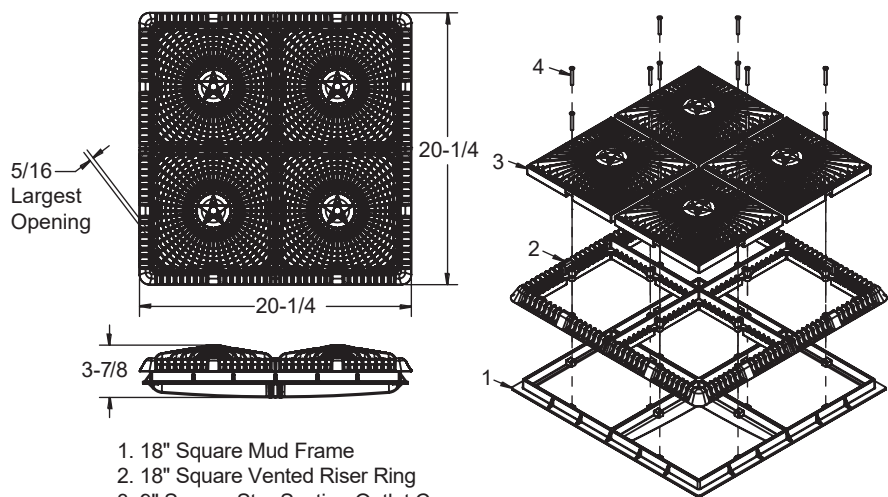
Grates fit: AquaStar (standard 18" square frames); Pentair (#1 selling)  
with ¾" deep existing window grid frame and 4x4 screw hole pattern

### STANDARD COLORS

- P18101 – White
- P18102 – Black
- P18103 – Light Gray
- P18104 – Blue
- P18105 – Dark Gray
- P18108 – Tan

Also available with four grates only  
and vented riser rings for ¾" deep  
retrofits  
p/n P18NFxxx

VGB 2008 Compliant



1. 18" Square Mud Frame
2. 18" Square Vented Riser Ring
3. 9" Square Star Suction Outlet Cover
4. 10 x 1-3/4" Flat Head Phillips, 316 SS, Qty 16