

# 12" SQUARE WAVE ANTI-ENTRAPMENT SUCTION OUTLET COVER, VENTED RISER RING AND MUD FRAME

## VGB Series

The AquaStar line of suction outlet covers, compliant with the Virginia Graeme-Baker Pool and Spa Safety Act (ANSI/APSP 16-2011 and NSF/ANSI 50-2009a)

### FEATURES

For single or multiple drain use  
3" minimum sump depth  
(see installation instructions)

#### Single –

Floor/wall: 361 GPM at 1.3 fps

Floor/wall: 424.5 GPM at 1.5 fps

Floor/wall: 283 GPM at 1.0 fps

When 1.0 or 1.5 fps installations are not required, always use the lower tested flow rate

90.8 square inch opening

Easily and safely retrofits most brands' existing 12" square 3/4" deep frames\*

Additional sump versions also available

Trademarked VGB compliance button easily identifies VGB 2008 compliant cover from on deck and underwater

#316 stainless steel screws

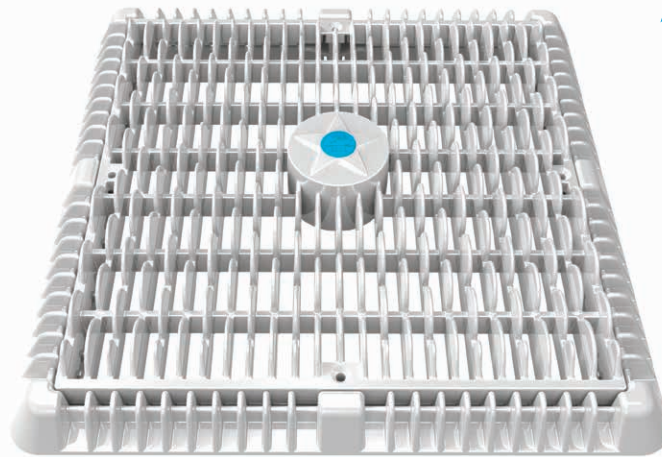
Manufactured from superior UV-resistant engineered polymers

All components (cover, sump, screws) meet or exceed ANSI/APSP 16-2011 and NSF/ANSI 50-2009a national standards and ASTM G154 UV testing exposure

Replace every five years from the date of installation

8 per case

U.S. patents D623727 and D663388



Part # WAV12WRxxx

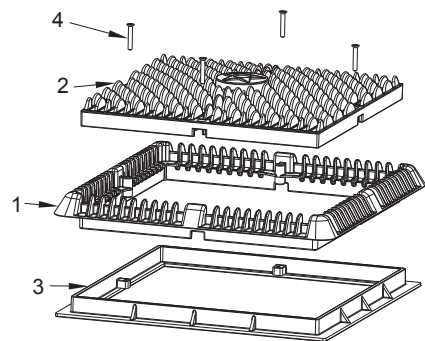
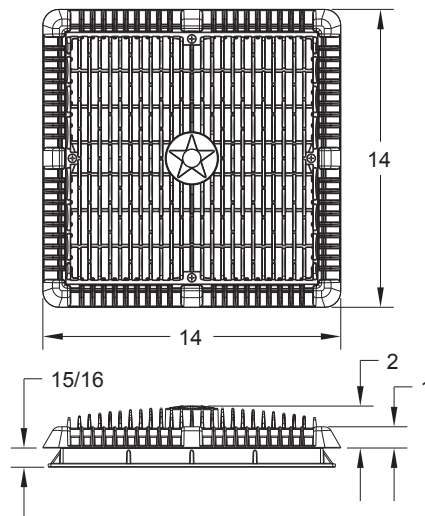
\*Fits: AquaStar (all standard 12" square), Pentair (#1 selling) with 3/4" deep existing frames and four screw hole pattern

### STANDARD COLORS

- WAV12WR101 – White
- WAV12WR102 – Black
- WAV12WR103 – Light Gray
- WAV12WR104 – Blue
- WAV12WR105 – Dark Gray
- WAV12WR108 – Tan

Replaces p/n P12xxx

VGB 2008 Compliant

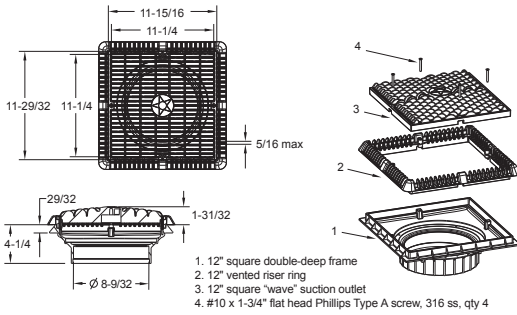
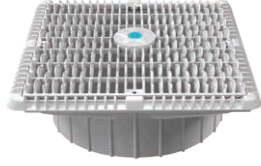


1. 12" vented riser ring
2. 12" square "wave" suction outlet
3. 12" square drain frame
4. #10 x 1-3/4" flat head Phillips Type A screw, 316 ss, qty 4

# ADDITIONAL PRODUCT CONFIGURATIONS FOR WAV12WRXXX

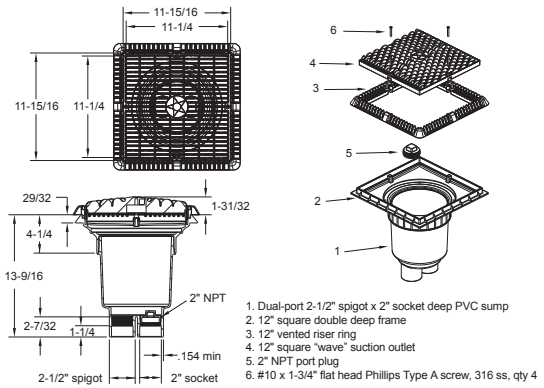
## Double-Deep Sump

Part #  
WAV12WRxxxA  
4 per case



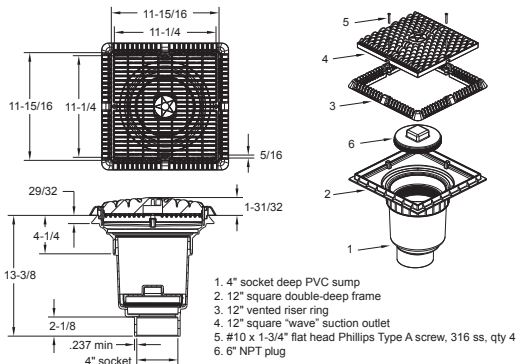
## Dual-Port 2 1/2" Spigot x 2" Socket Deep PVC Sump

Part #  
WAV12WRxxxB  
1 per case



## 4" Socket Deep PVC Sump

Part #  
WAV12WRxxxD  
1 per case



## 6" Socket Deep PVC Sump

Part #  
WAV12WRxxxF  
1 per case

