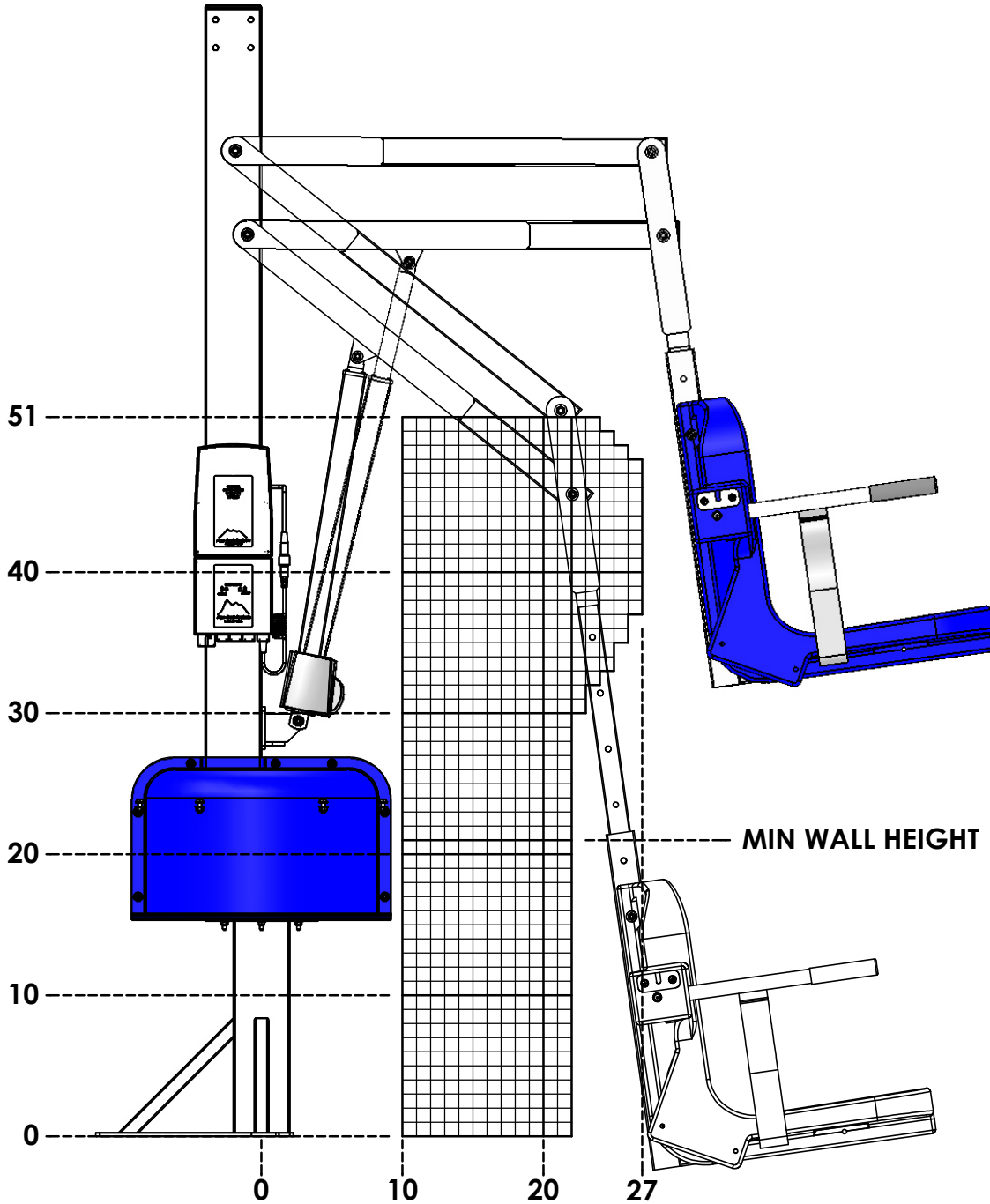


SPA LIFT ULTRA GRAPH

MINIMUM SETBACK = 10"
MAXIMUM WALL THICKNESS = 17"

DRAW YOUR PROFILE ON THE GRAPH USING THE FRONT ANCHOR LOCATIONS AS YOUR START POINT.
ALL GRAPH LINES ARE IN 1" INCREMENTS.



9889 GARRYMORE LANE
 MISSOULA, MT 59808
 (406) 549-0769
 FAX (406) 549-2602

PRODUCT:		SPA LIFT ULTRA	
PART #:		F-005SLU	
SCALE:	1:12	DATE:	3/8/2017
DRAWN BY:	KR	REVISION:	A