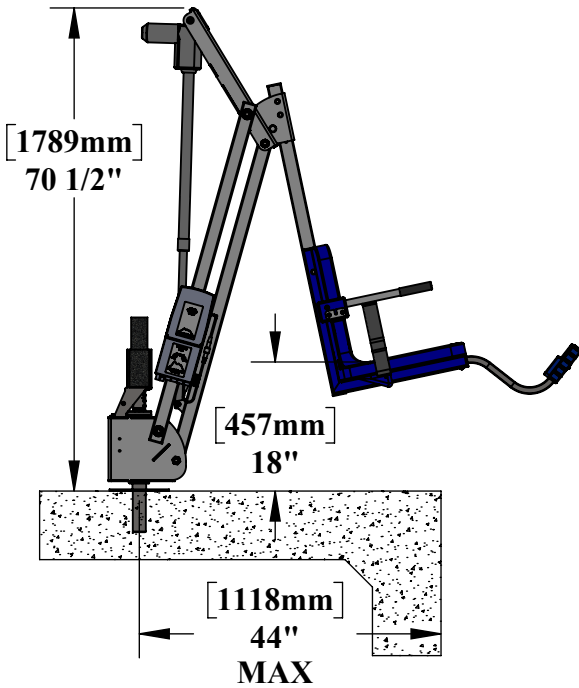
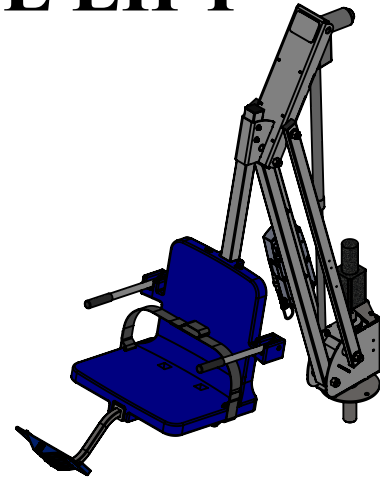
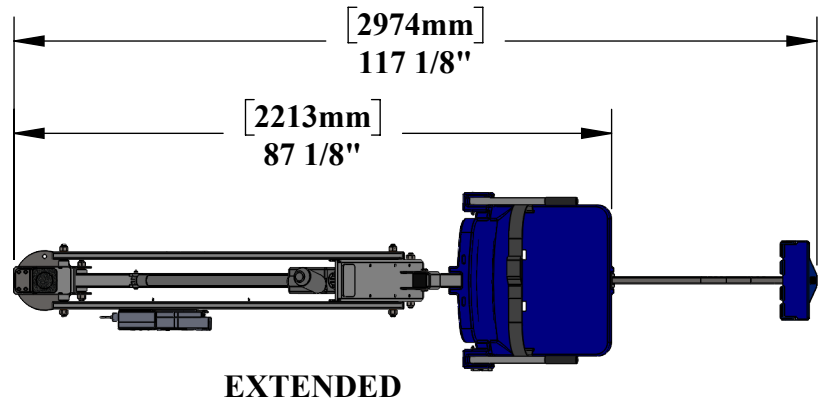
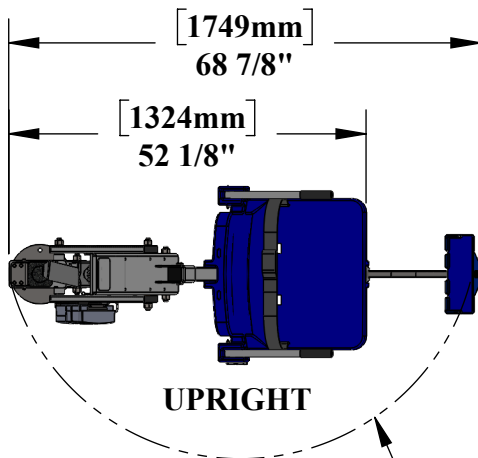
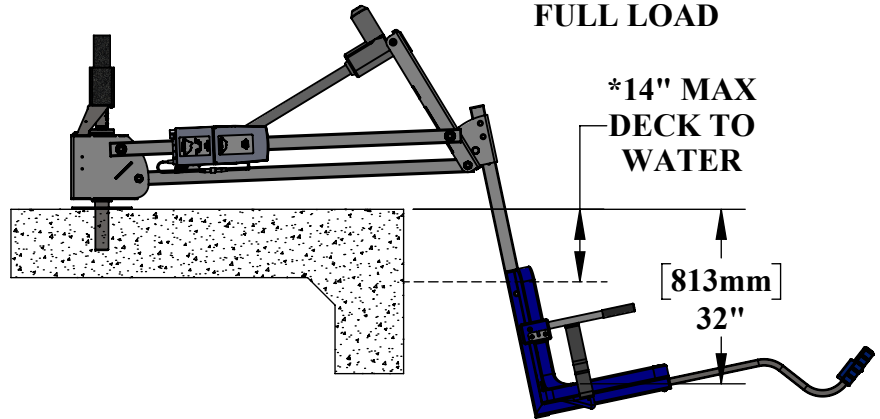


# MIGHTY 600 POOL LIFT

**PRODUCT WEIGHT:** 170lbs [77kg]  
**MAX WEIGHT CAPACITY:** 600lbs [272kg]  
**MIN ANCHOR SETBACK:** 24"  
**MAX ANCHOR SETBACK:** 44"  
**MAX WATER DRAFT:** 14"  
**SEAT HEIGHT ADJUSTMENT:** 6" IN 2" INCREMENTS  
**VERTICLE TRAVEL DISTANCE:** 50"



\*MEASUREMENT  
 TAKEN WITH  
 THE LIFT AT  
 FULL LOAD



UPRIGHT

EXTENDED

CONTINUOUS  
360° ROTATION



9889 GARRYMORE LANE  
 MISSOULA, MT 59808  
 (406) 549-0769  
 FAX (406) 549-2602

NOTE:  
 \*SPECIFICATIONS ARE SUBJECT TO CHANGE WITHOUT NOTICE

|           |      |            |           |
|-----------|------|------------|-----------|
| PRODUCT:  |      | MIGHTY 600 |           |
| PART #:   |      | F-MTY600   |           |
| SCALE:    | 1:28 | DATE:      | 6/14/2019 |
| DRAWN BY: | KR   | REVISION:  | 02        |