

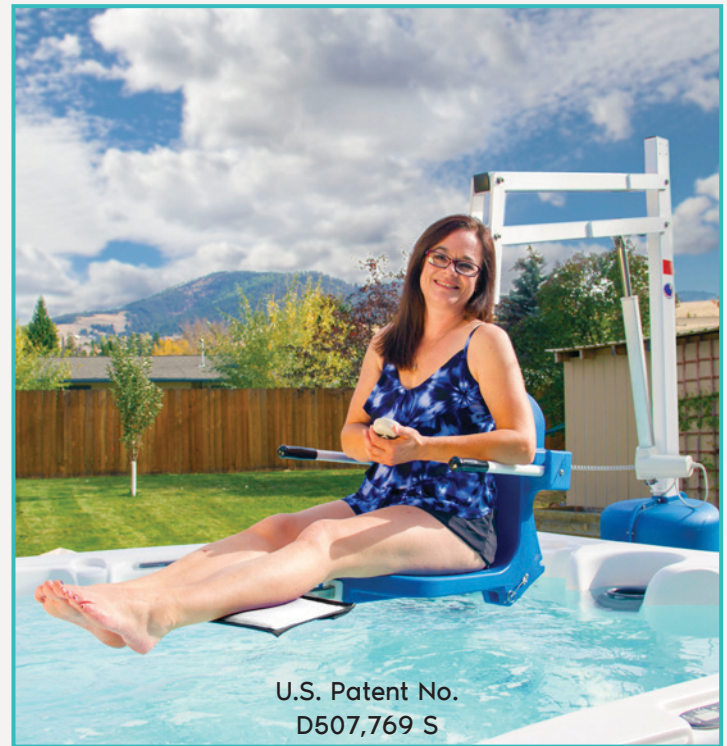
SPA LIFT ULTRA⁽⁵¹⁾



Item# F-005SLU

The Spa Lift Ultra is an ADA compliant lift designed to provide access to both residential and commercial elevated pools & spas. The Ultra is constructed of quality stainless steel with a durable powder coat finish.

Easy push button hand control operation allows for 360 degree powered rotation. Access your personal backyard or commercial spa environment while enjoying the benefits of relaxation along with increased independence.



ACCENT COLORS

Available in a variety of accent and powder coat colors



*Blue seat standard (not a powder coat option)

FEATURES:

- UL Certified
- 400 lb (181 kg) weight capacity
- Clearances vary by wall height & width
- Wall height range 21" - 51" (53 - 129 cm)
- 360 degree powered rotation in either direction
- Adjustable pull-out leg rest
- Flip-up armrests
- Five year structural warranty
- Five year pro-rated electronics warranty

OPTIONS/ACCESSORIES:

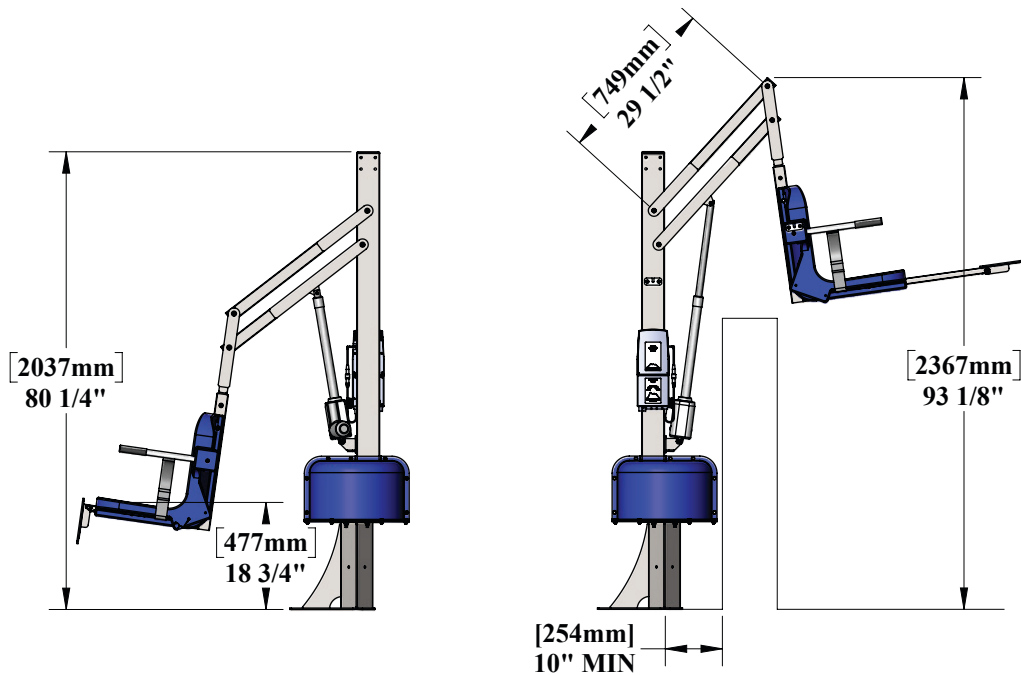
F-SPAAK8	Anchor, standard tri-point anchor system
F-107UEWDA	Anchor, wood deck applications
F-450SLUCS	Cover, standard lockable, blue
F-450SLUCS-T	Cover, standard lockable, tan
F-450SLUCS-G	Cover, standard lockable, gray
F-422PLH-2	Headrest
F-042SCH	Solar charging station

PROUDLY SOLD BY:

SPA LIFT SERIES

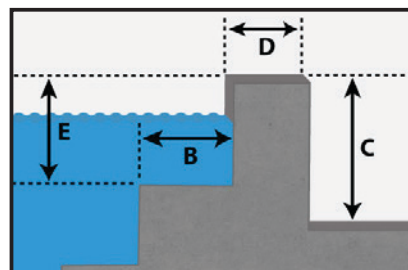
THE SPA LIFT ULTRA

PRODUCT SPECIFICATIONS



APPLICABLE POOL PROFILES

RAISED POOL / SPA



To confirm specific application go to www.aquacreek.com for our Pool Lift Selector
Become a member of our new Dealer and Architect page. Access to CAD blocks,
CSI specs and sales materials.