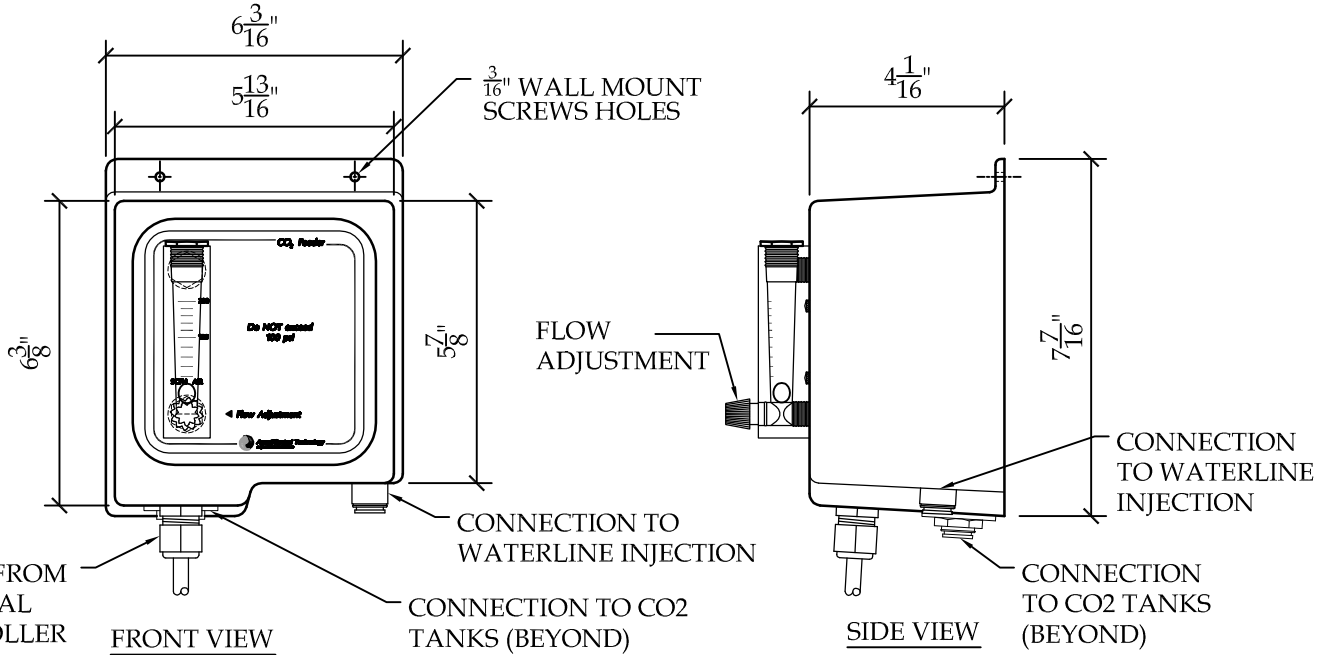
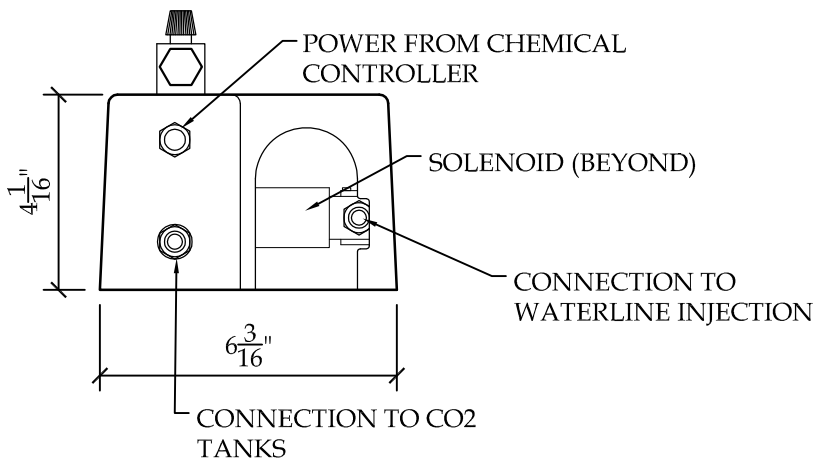


TOP VIEW



FRONT VIEW

SIDE VIEW



BOTTOM VIEW

© COPYRIGHT 2011, AQUATICONTROL. THIS DOCUMENT CONTAINS INFORMATION PROPRIETARY AND CONFIDENTIAL TO AQUATICONTROL, AND SHALL NOT BE REPRODUCED, COPIED OR MADE AVAILABLE TO OTHERS WITHOUT PRIOR WRITTEN CONSENT FROM AQUATICONTROL.



AquatiControl TECHNOLOGY

3820 S. FEDERAL BLVD. | SHERIDAN, CO 80110
 PHONE 303.762.9470 | FAX 303.761.1499
 TOLL FREE: 877.755.8817

SCALE		3" = 1'-0"
NAME		CO2 FEEDER
DATE	11/6/11	DRAWING #: CO2F - 1