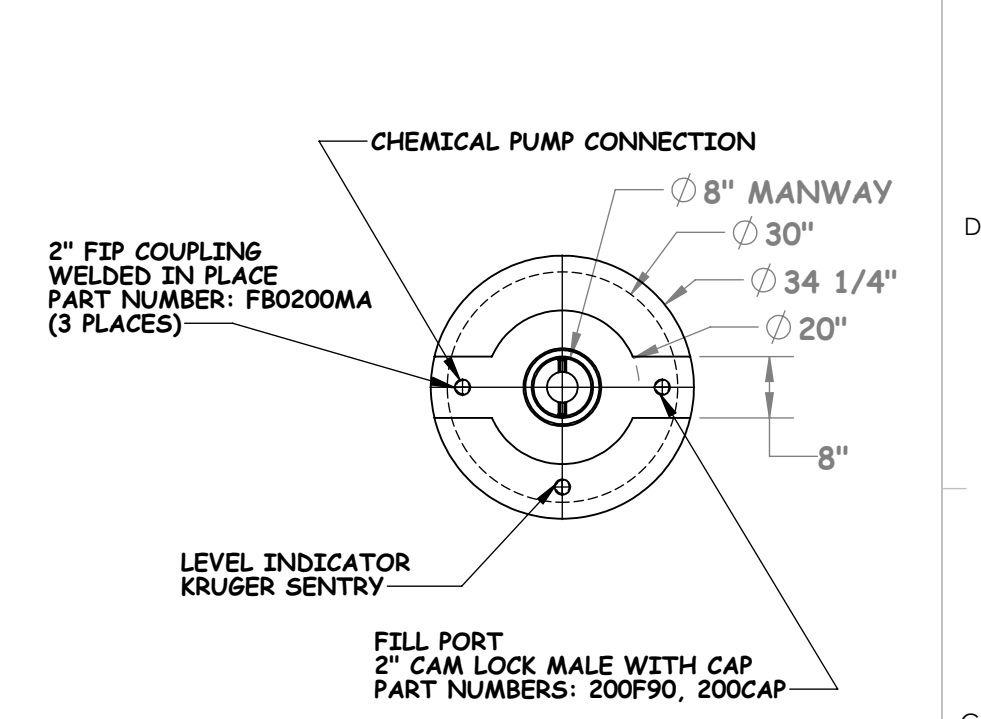
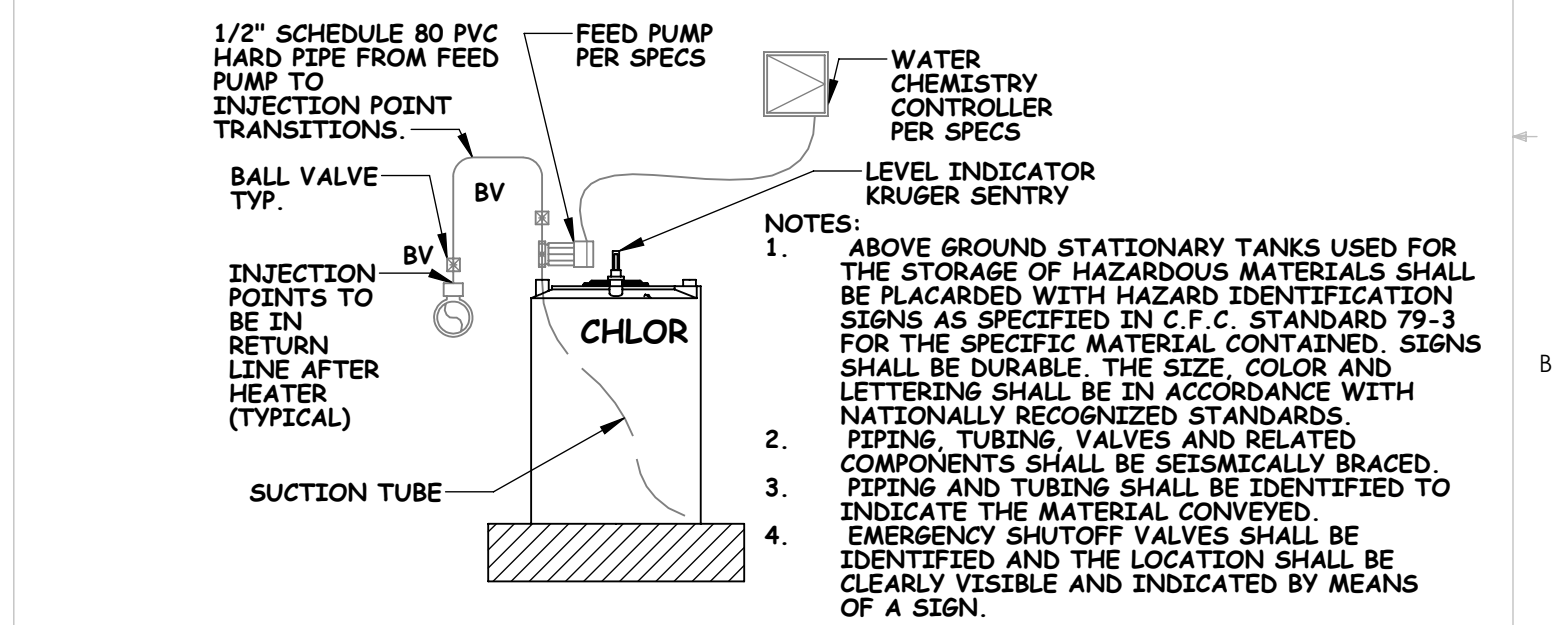
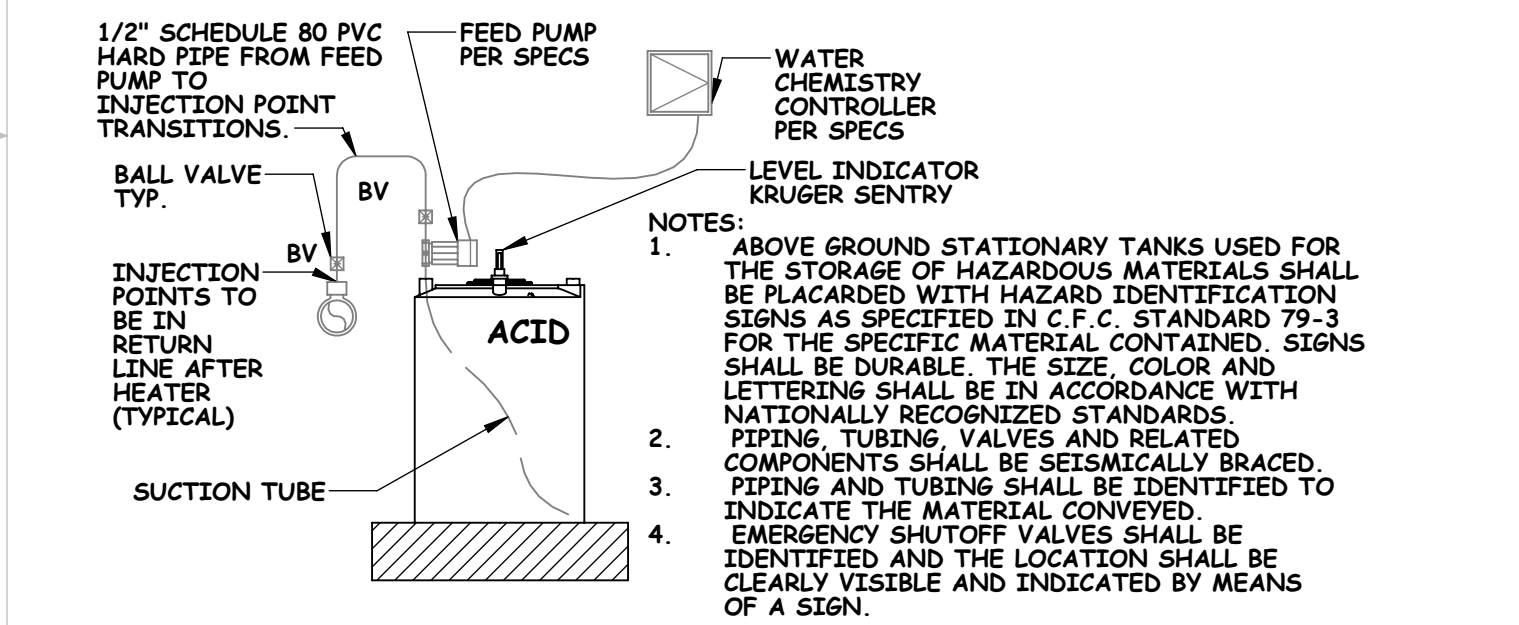


	MAX WEIGHT CHART	DENSITY (lbs/gal)	MAX WEIGHT (lbs)
EMPTY TANK PART NO. TC3539DC		N/A	83
SODIUM HYPOCHLORITE		10	1000
30% HYDROCHLORIC ACID		9.6	960
WATER		8.3	830



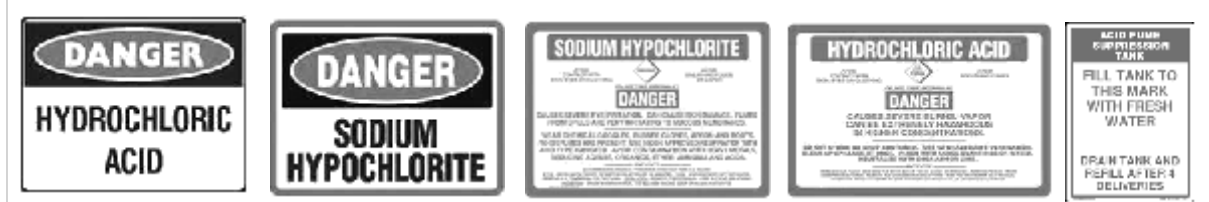
ACID TANK LID
*AVAILABLE AT WTI, TEL:(714)564-9100

CHLORINE TANK LID
*AVAILABLE AT WTI, TEL:(714)564-9100



HYDROCHLORIC ACID FEED SCHEMATIC
*AVAILABLE AT WTI, TEL:(714)564-9100

SODIUM HYPOCHLORITE FEED SCHEMATIC
*AVAILABLE AT WTI, TEL:(714)564-9100



HAZARDOUS SIGNAGE
*AVAILABLE AT WTI, TEL:(714)564-9100

UNLESS OTHERWISE SPECIFIED:		NAME	DATE	WATERLINE TECHNOLOGIES
DIMENSIONS ARE IN INCHES TOLERANCES: FRACTIONAL ± ANGULAR: MACH ± BEND ± TWO PLACE DECIMAL ± THREE PLACE DECIMAL ±		DRAWN	SS 3/9/16	
INTERPRET GEOMETRIC TOLERANCING PER:		CHECKED		TITLE:
MATERIAL		ENG APPR.		TC3539DC
FINISH		MFG APPR.		
NEXT ASSY	USED ON	Q.A.		SIZE
APPLICATION		COMMENTS:		DWG. NO.
DO NOT SCALE DRAWING				100 Gal Tank C
				REV
				SCALE: 1:25 WEIGHT:
				SHEET 1 OF 1

PROPRIETARY AND CONFIDENTIAL
THE INFORMATION CONTAINED IN THIS DRAWING IS THE SOLE PROPERTY OF WATERLINE TECHNOLOGIES. ANY REPRODUCTION IN PART OR AS A WHOLE WITHOUT THE WRITTEN PERMISSION OF WATERLINE TECHNOLOGIES IS PROHIBITED.