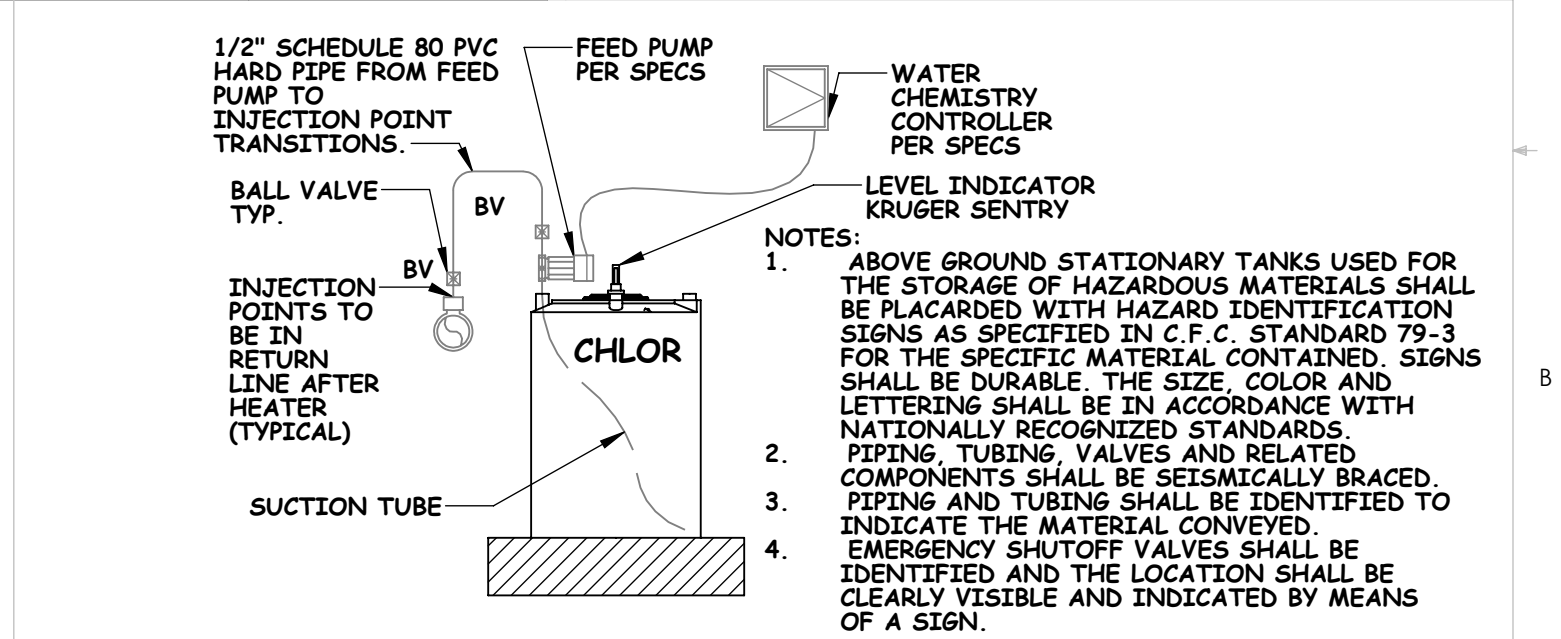
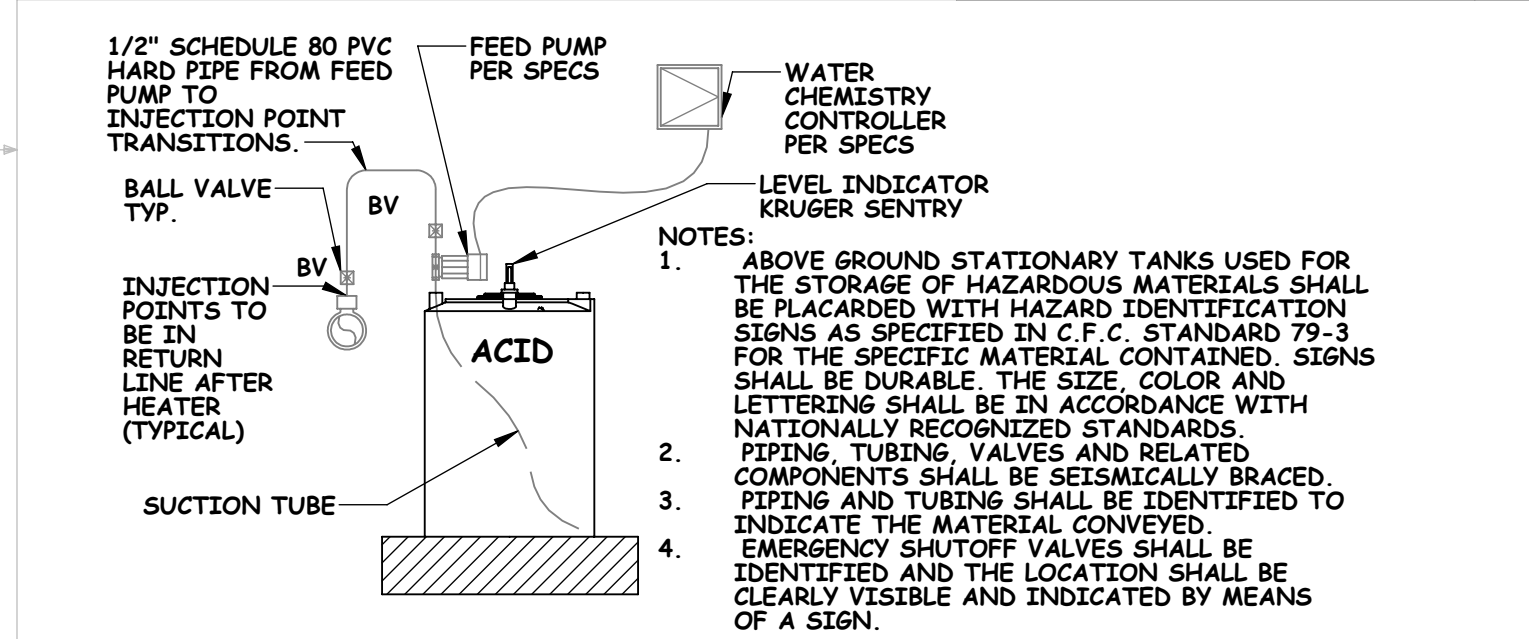


MAX WEIGHT CHART	DENSITY (lbs/gal)	MAX WEIGHT (lbs)
EMPTY TANK PART NO. TC5256DC	N/A	200
SODIUM HYPOCHLORITE	10	3500
30% HYDROCHLORIC ACID	9.6	3360
WATER	8.3	2905



**HAZARDOUS SIGNAGE**  
\*AVAILABLE AT WTI, TEL:(714)564-9100

**PROPRIETARY AND CONFIDENTIAL**  
THE INFORMATION CONTAINED IN THIS DRAWING IS THE SOLE PROPERTY OF WATERLINE TECHNOLOGIES. ANY REPRODUCTION IN PART OR AS A WHOLE WITHOUT THE WRITTEN PERMISSION OF WATERLINE TECHNOLOGIES IS PROHIBITED.

**SODIUM HYPOCHLORITE FEED SCHEMATIC**  
\*AVAILABLE AT WTI, TEL:(714)564-9100

UNLESS OTHERWISE SPECIFIED:	NAME	DATE	<b>WATERLINE TECHNOLOGIES</b> TITLE: <h1>TC5256DC</h1> SIZE <b>B</b> DWG. NO. 350 Gal Tank C REV SCALE: 1:25 WEIGHT: SHEET 1 OF 1
DIMENSIONS ARE IN INCHES TOLERANCES: FRACTIONAL ± ANGULAR: MACH ± BEND ± TWO PLACE DECIMAL ± THREE PLACE DECIMAL ±	DRAWN	SS 3/9/16	
INTERPRET GEOMETRIC TOLERANCING PER:	CHECKED		
MATERIAL	ENG APPR.		
FINISH	MFG APPR.		
APPLICATION	DO NOT SCALE DRAWING	COMMENTS:	