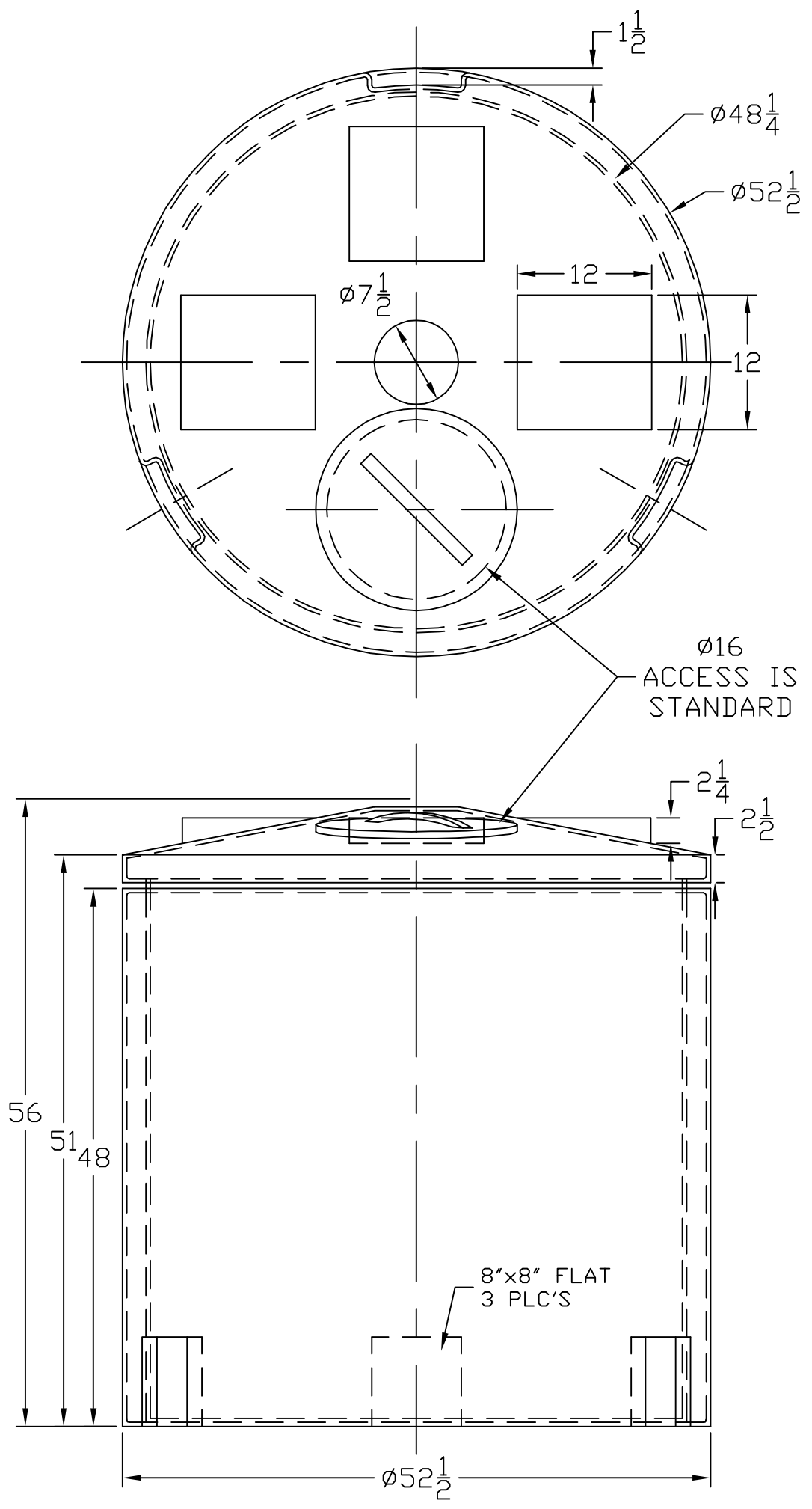


THIS DRAWING & DESIGN IS THE PROPERTY OF CHEM-TAINER INDUSTRIES INC. IT MAY NOT BE USED FOR ANY PURPOSE OTHER THAN BY THE OWNER. CHEM-TAINER DOES NOT AUTHORIZE THE REPRODUCTION OR CONVEYANCE OF ANY INFORMATION CONTAINED HEREIN.

ALL DIMENSIONS SHOWN ARE OUTSIDE PART DIMENSIONS IN INCHES, AND VARY BY THE STANDARD ROTATIONAL MOLDING TOLERANCE OF ±2%.



Rev. 1	Date 08/25/00	File Name DCS256-5
<b>CHEM-TAINER</b>		
Industries Inc. 361 Neptune Ave. W.Babylon, NY 11704 (631) 661-8300 Fax: (631) 661-8209		
Date 03/23/00	Drawn By: IIA	Mold Location CA
Cust. Rep.		
TITLE 350 GALLONS DOUBLE WALL CONTAINMENT TANK		
Part #	Dwg. #	
TC5256DC	C-5256-15	