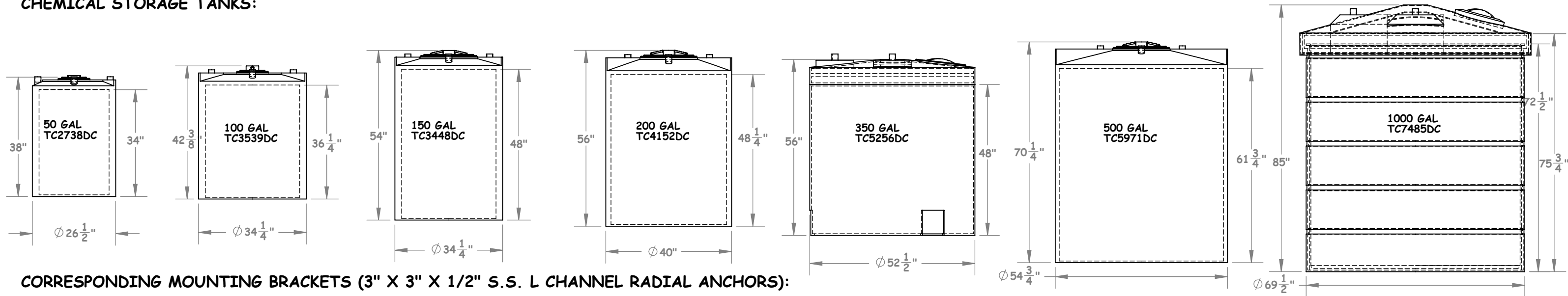
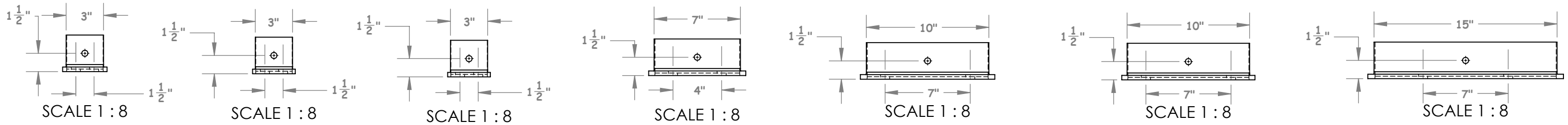


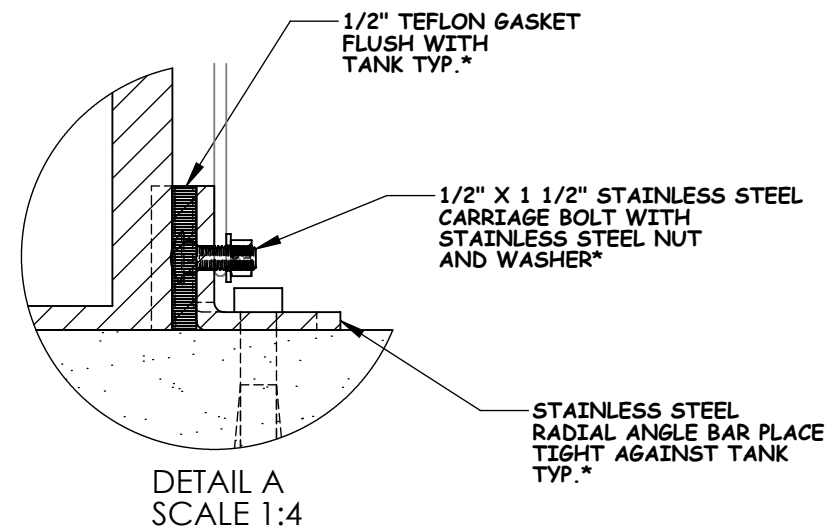
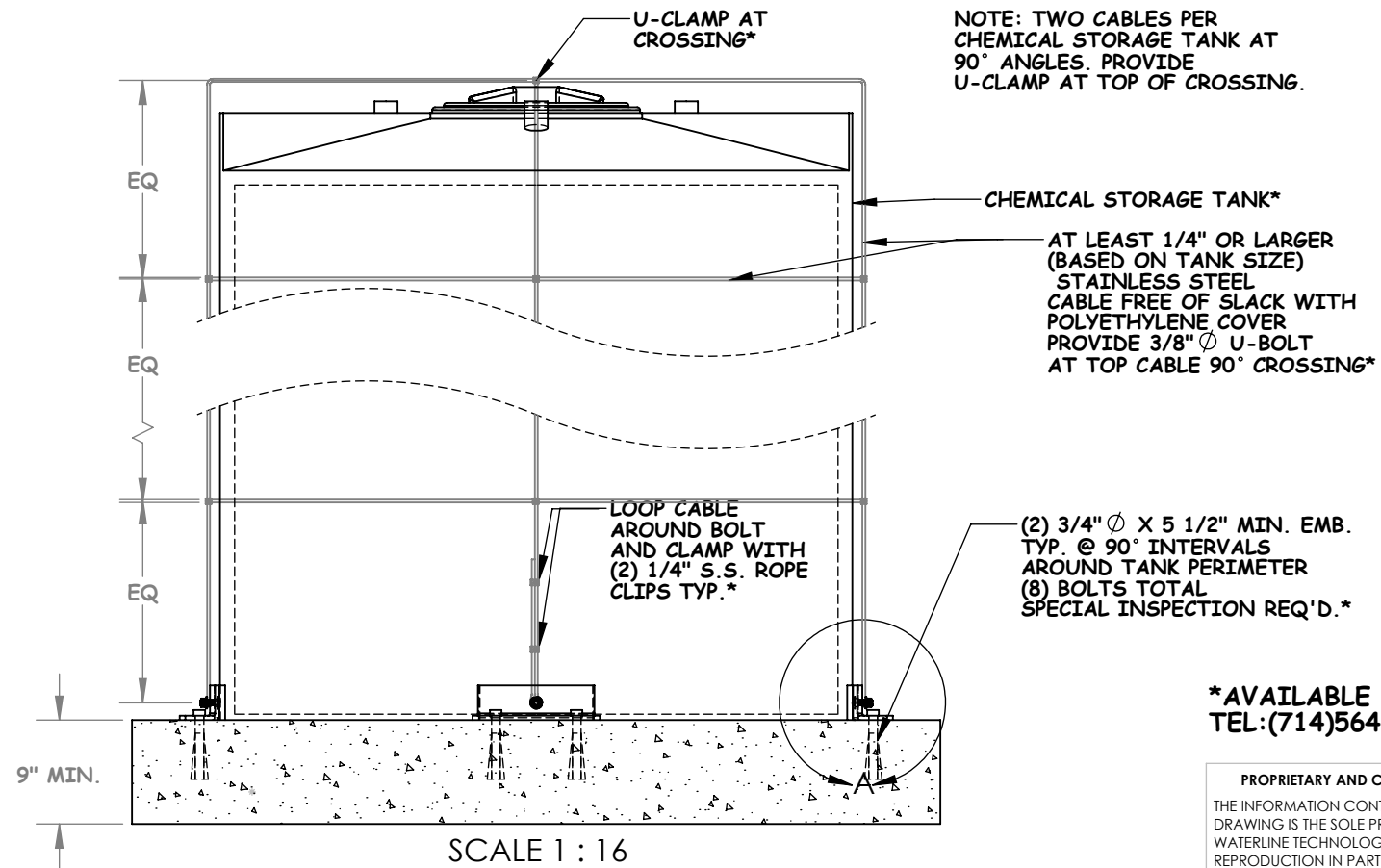
CHEMICAL STORAGE TANKS:



CORRESPONDING MOUNTING BRACKETS (3" X 3" X 1/2" S.S. L CHANNEL RADIAL ANCHORS):



NOTE: TWO CABLES PER CHEMICAL STORAGE TANK AT 90° ANGLES. PROVIDE U-CLAMP AT TOP OF CROSSING.



***AVAILABLE AT WTI
TEL:(714)564-9100**

PROPRIETARY AND CONFIDENTIAL
THE INFORMATION CONTAINED IN THIS DRAWING IS THE SOLE PROPERTY OF WATERLINE TECHNOLOGIES. ANY REPRODUCTION IN PART OR AS A WHOLE WITHOUT THE WRITTEN PERMISSION OF WATERLINE TECHNOLOGIES IS PROHIBITED.

UNLESS OTHERWISE SPECIFIED:		NAME	DATE	WATERLINE TECHNOLOGIES	
DIMENSIONS ARE IN INCHES TOLERANCES: FRACTIONAL ± ANGULAR: MACH ± BEND ± TWO PLACE DECIMAL ± THREE PLACE DECIMAL ±		DRAWN	SS		
INTERPRET GEOMETRIC TOLERANCING PER:		CHECKED		TITLE: AVAILABLE AT WTI TEL:(714)564-9100	
MATERIAL		ENG APPR.			
FINISH		MFG APPR.		SIZE DWG. NO. REV B Tank Anchorage C	
NEXT ASSY USED ON		Q.A.			
APPLICATION		COMMENTS:		SCALE: 1:30 WEIGHT: SHEET 1 OF 1	
DO NOT SCALE DRAWING					