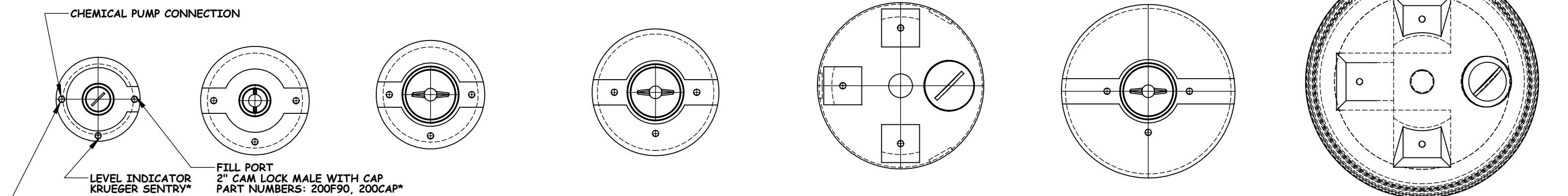


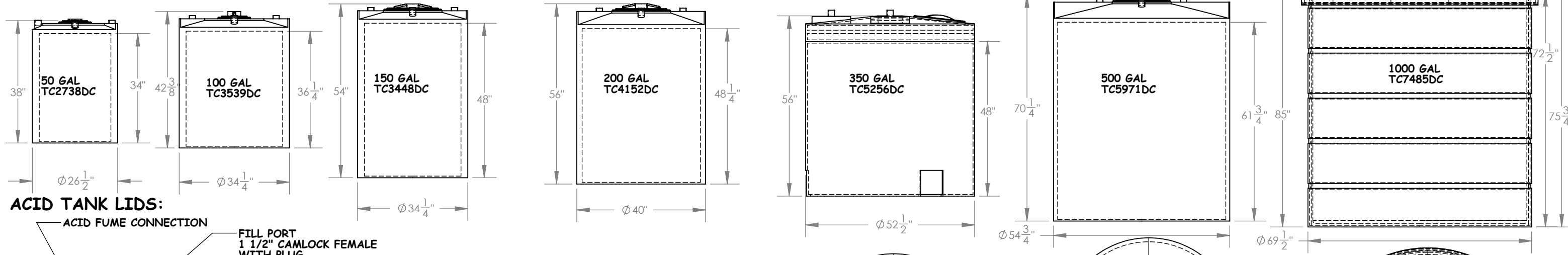
**CHLORINE TANK LIDS:**



2" FIP COUPLING  
WELDED IN PLACE  
PART NUMBER: FB0200MA  
(3 PLACES)\*

FILL PORT  
2" CAM LOCK MALE WITH CAP  
PART NUMBERS: 200F90, 200CAP\*

LEVEL INDICATOR  
KRUeGER SENTRY\*



**ACID TANK LIDS:**

ACID FUME CONNECTION

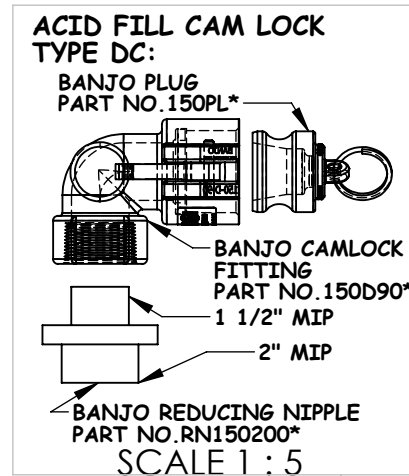
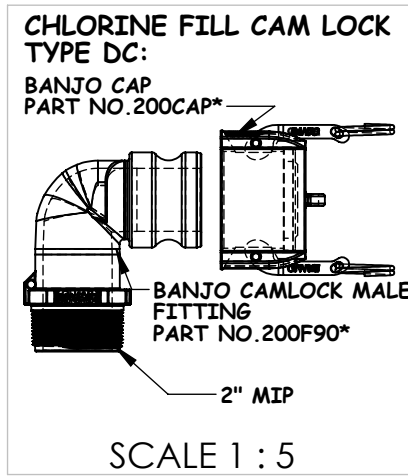
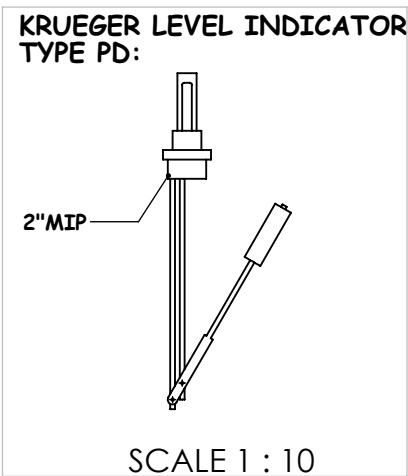
FILL PORT  
1 1/2" CAMLOCK FEMALE  
WITH PLUG  
PART NUMBER: 150A90, 150PL\*

WELDED TOP  
NO MANWAY

2" FIP COUPLING  
WELDED IN PLACE  
PART NUMBER: FB0200MA\*  
(4 PLACES)

LEVEL INDICATOR  
KRUeGER SENTRY\*

ACID FUME CONNECTION



NOTE: ALL WELDED MANWAYS & FITTINGS TO BE DONE BY FACTORY

\*AVAILABLE AT WTI  
TEL:(714)564-9100

PROPRIETARY AND CONFIDENTIAL  
THE INFORMATION CONTAINED IN THIS  
DRAWING IS THE SOLE PROPERTY OF  
WATERLINE TECHNOLOGIES. ANY  
REPRODUCTION IN PART OR AS A WHOLE  
WITHOUT THE WRITTEN PERMISSION OF  
WATERLINE TECHNOLOGIES IS  
PROHIBITED.

		UNLESS OTHERWISE SPECIFIED:		NAME	DATE
		DIMENSIONS ARE IN INCHES TOLERANCES: FRACTIONAL ± ANGULAR: MACH ± BEND ± TWO PLACE DECIMAL ± THREE PLACE DECIMAL ±		DRAWN	
		INTERPRET GEOMETRIC TOLERANCING PER:		CHECKED	
		MATERIAL		ENG APPR.	
		FINISH		MFG APPR.	
NEXT ASSY	USED ON	DO NOT SCALE DRAWING		Q.A.	
APPLICATION				COMMENTS:	

<b>WATERLINE TECHNOLOGIES</b>		
TITLE:  AVAILABLE AT WTI TEL:(714)564-9100		
SIZE <b>B</b>	DWG. NO. Tank Connections D	REV
SCALE: 1:30 WEIGHT:		SHEET 1 OF 1