

Application



The general purpose level controller displays engineering units with one 4-20 mA or 0-10 VDC continuous level sensor input and is offered in three configurations with optional 2 or 4 programmable relays, and an isolated 4-20 mA repeater. Each relay can be configured on a single set point (high level alarm or low level alarm) or latched on two set points for automatic fill or empty in simplex (one pump or valve) or duplex (two pumps) level control modes.



Features

- ✓ LED main display and secondary unit display with relay status
- ✓ Easy configuration via the push button display module
- ✓ DIN enclosure with NEMA 4X faceplate and shallow case
- ✓ Isolated power supply to sensor with 4-20 mA repeater output
- ✓ Non-volatile memory with security password protection
- ✓ 32-point linearization function for volumetric measurement

Key Benefits

- ✓ Simple display makes configuration easy
- ✓ Capable of displaying units in gallons, liters, inches, feet, meters, and percent of liquid
- ✓ Add 2 or 4 relays for direct control of pumps, valves or alarms
- ✓ Add repeater output to repeat input original to another PLC/SCADA or display

Compatible Products

EchoSonic® II
Ultrasonic Level Transmitter



EchoPod®
Ultrasonic Level Transmitter



EchoSpan®
Ultrasonic Level Transmitter



EchoTouch®
Ultrasonic Level Transmitter



FloaTek™
Float Level Transmitter



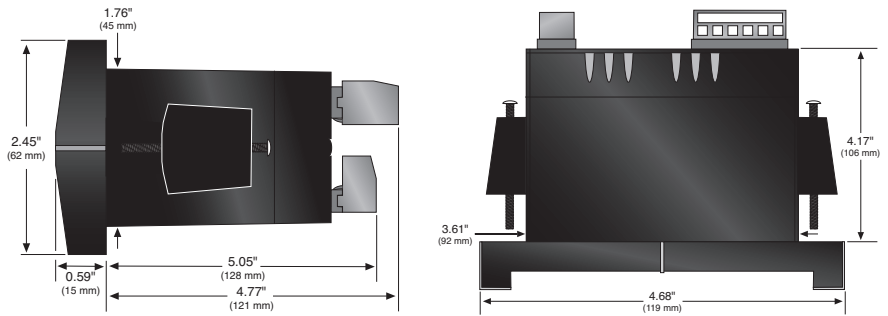
DeltaSpan™
Pressure Level Transmitter



Specifications

Display type: LED, 6-digit
Display units: Engineering
Display output: -99999 to 999999
Display height: Main: 0.6" (15mm) high
 Secondary: 0.46" (12mm) high
Decimal point: Floating
LED indication: Relay status
Configuration: Push button
Memory: Non-volatile
Linearization: 2-32 point function
Sensor input: (1) 4-20 mA or 0-10 VDC
Supply voltage: 85-265 VAC @ 50-60 Hz
Consumption: VAC: 20 watts max.
 VDC: 15 watts max.
Sensor supply: 24 VDC ± 5% @ 200 mA
Repeater output: 4-20 mA, 24 VDC ± 5%
 @ 40 mA supply
Contact type: -12_1: (2) SPDT relays
 -14_1: (4) SPDT relays
Contact rating: 3A @ 30 VDC and 250 VAC
 resistive load
Ambient temp.: F: -40° to 149°
 C: -40° to 65°
Enclosure type: 1/8 DIN, panel mount
Enclosure rating: NEMA 4X (IP65) faceplate
Enclosure mat'l: Polycarbonate
Classification: General purpose
Compliance: CE
Approvals: UL, cUL listed,
 E160849, 508
 industrial control equipment

Dimensions



Accessories

Protect your level indicator from the elements by using the below recommended single or two indicator NEMA box. Increase performance by adding the LI56 expansion card (Available with or without repeater)



P/N
 LM91-1001
Description
 Single Indicator, Non-Windowed,
 1/8 DIN, Polycarbonate



LM91-2001
 Two Indicator, Non-Windowed,
 1/8 DIN, Polycarbonate



LM92-1001
 Single Indicator, Windowed,
 1/8 DIN, Polycarbonate



LM93-1001
 Two Indicator, Windowed,
 1/8 DIN, Polycarbonate

LI56-1011 4-20 mA Repeater
 LI56-1201 2 Relay (No Repeater)
 LI56-1211 2 Relay with 4-20 mA Repeater
 LI56-1401 4 Relay (No Repeater)
 LI56-1411 4 Relay with 4-20 mA Repeater

Ordering

LI55-□□□1

Supply voltage

- 1 85-265 VAC
- 8 12-24 VDC

Configuration (1) (2)

- 0 Meter only
- 2 Meter with 2 relays
- 4 Meter with 4 relays

Repeater configuration

- 0 No repeater
- 1 4-20 mA repeater

Notes

- 1) For field mount installation in a NEMA 4X polycarbonate enclosure, order the single or two controller NEMA box.
- 2) Expansion cards may be purchased at an additional cost. Prices may be found on our website at www.flowline.com/parts.php.