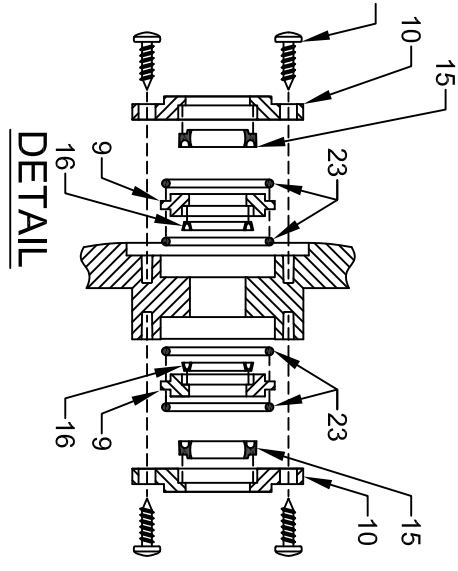
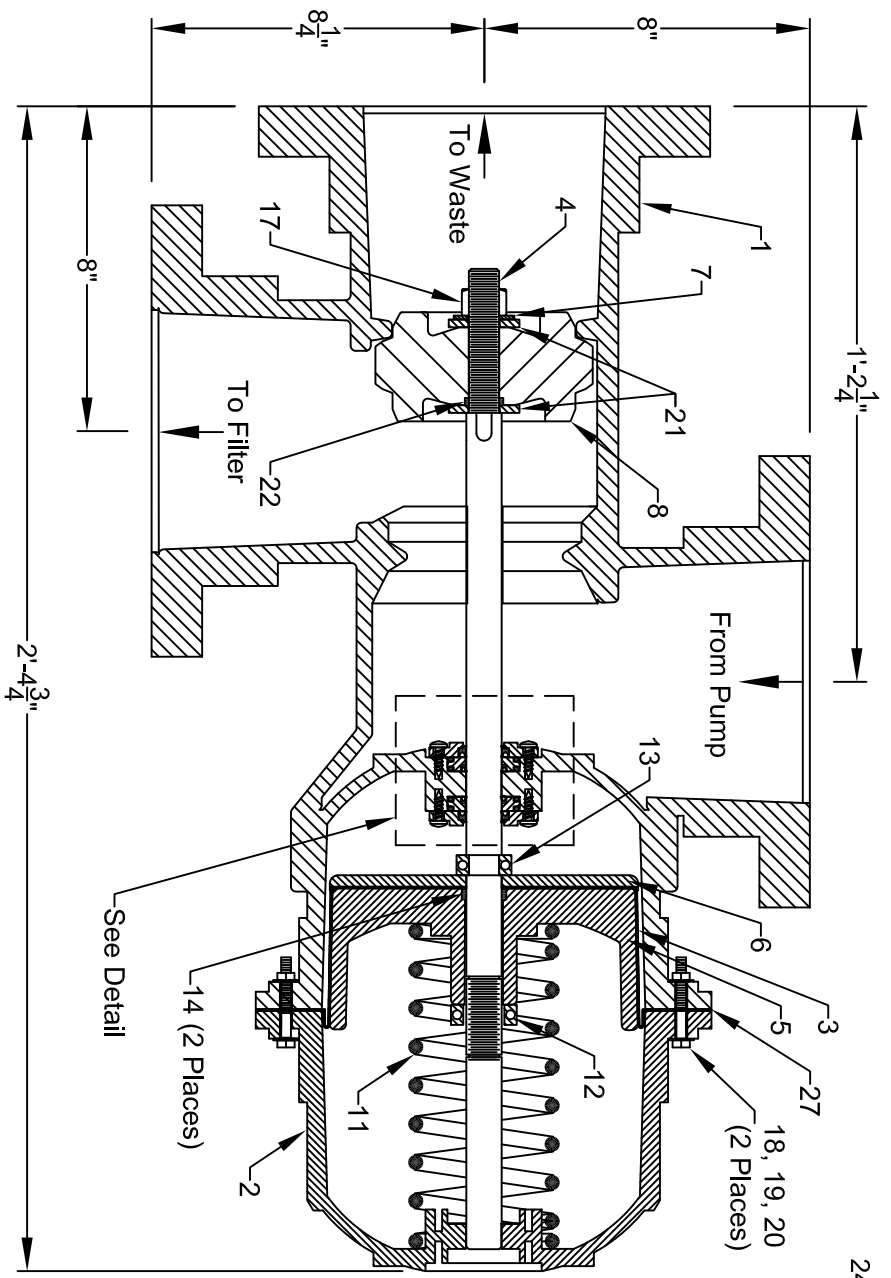


# STARK SLIDE VALVE (6" 3-WAY)



## SLIDE VALVE (SECTION VIEW)

\* Denotes parts included in slide valve rebuild kit (SV3-06KIT)

Ref.	Qty:	Part #:	Description:	Ref.	Qty:	Part #:	Description:	Ref.	Qty:	Part #:	Description:
1	1	B4688	Valve housing assembly	10	2	B4832B	Retainer, outer	19	12	94337	Hex nut, 1/4"-20 UNC, T316L S/S
2	1	B4686	Actuator housing (drilled)	11	1	B4692	Spring, 3 1/2" OD x 2 3/4" ID x 9 1/2"	20	24	94338	Flat washer, 1/4", T316L S/S
3	1	B4690*	Diaphragm, slide valve	12	1	B4693	Clamp collar, threaded, 2 piece (w/screws)	21	2	94873	Flat washer, .76 ID x 1.75 OD x .188
4	1	B4691	Shaft, slide valve	13	1	B4694	Clamp collar, threaded, 2 piece (w/screws)	22	1	B4698*	O-ring, AS-210, BUNA-N
5	1	B4687	Piston (drilled)	14	2	B4695*	O-ring, AS-212, BUNA-N	23	4	B4699*	O-ring, AS-222, BUNA-N
6	1	B4840	Retainer, diaphragm	15	2	B4696*	Wiper, 8600-0087	24	8	94874	Screw, #12 type AB x 3/4", T316L S/S
7	1	94925	3/4" lock washer, T316L S/S	16	2	B4697*	Seal, 8404-0087	25	1	B4646	3/8" union elbow (not shown)
8	1	B4839B*	Seal disk	17	1	94908	Hex nut, 3/4"-10, T316L S/S	26	1	B4636	3/8" x 3/8" stem adaptor (not shown)
9	2	B4832A	Retainer, inner	18	12	94341	HH screw, 1/4"-20 x 2 1/2"	27	1	B4689	Flange gasket, actuator housing

This data represents the latest knowledge available to us at time of presentation. However Paragon Aquatics and others involved in gathering and presenting this drawing assume no liability for its use.

© 2011 Paragon Aquatics

**PARAGON AQUATICS**  
 1351 Route 55  
 LaGrangeville, NY 12540  
 Phone: 845-463-7200  
 Fax: 845-463-7291  
 www.paragonaquatics.com

Paragon Water  
 Commercial Pool & Aquatics

Drawn by:	JP	Date:	6/12/03	Title:	ASSEMBLY DRAWING FOR STARK SLIDE VALVE (6" 3-WAY)
Approved by:	JP	Date:	6/12/03	Drawing Number:	AI-SV3-06
				Rev Ltr:	F
				Sheet:	1 of 1