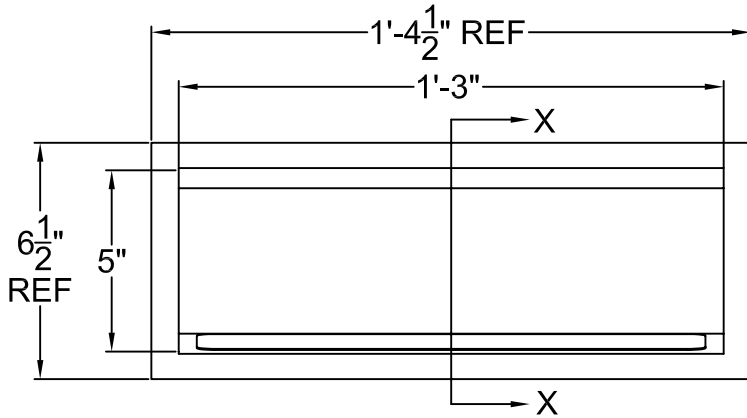
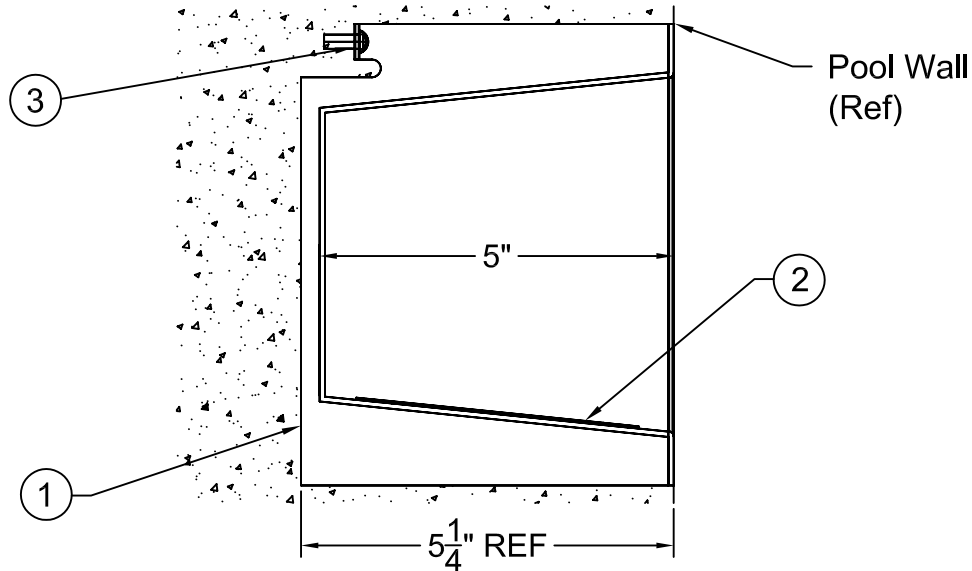
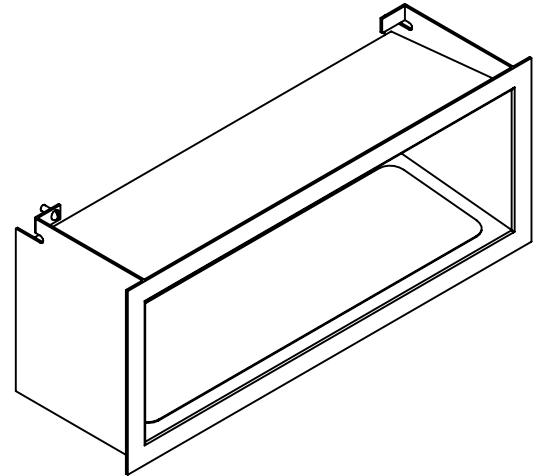


Stainless Steel Recessed Steps



FRONT VIEW



SECTION X-X

Part Number: **32104**

Specifications

- ① The Stainless Steel Recessed Step shall be made T304 Stainless Steel
- ② Each step shall be furnished with a slip-resistant surface for enhanced traction.
- ③ A bonding screw is provided for grounding.

General

The stainless steel shall be electro-chemically passivated on all worked areas for maximum corrosion resistance. All hardware shall be 18-8 stainless steel. Recommended for use in all climates.

The data represents the latest knowledge available to us at time of presentation. However, Paragon Aquatics and others involved in gathering and presenting this drawing assume no liability for its use.

© 2008 Paragon Aquatics



**PARAGON
AQUATICS**
Pentair Water
Commercial Pool & Aquatics

1351 Route 55
LaGrangeville, New York
12540
Phone: 845-463-7200
Fax: 845-463-7291
www.paragonaquatics.com

Drawn by: RV	Date: 6/27/08	Approved by: JMM	Date: 6/27/08
Sheet Title: Stainless Steel Recessed Steps			
Drawing Number: SS-AA20.73	Revision Letter: A	Sheet: 1 of 1	