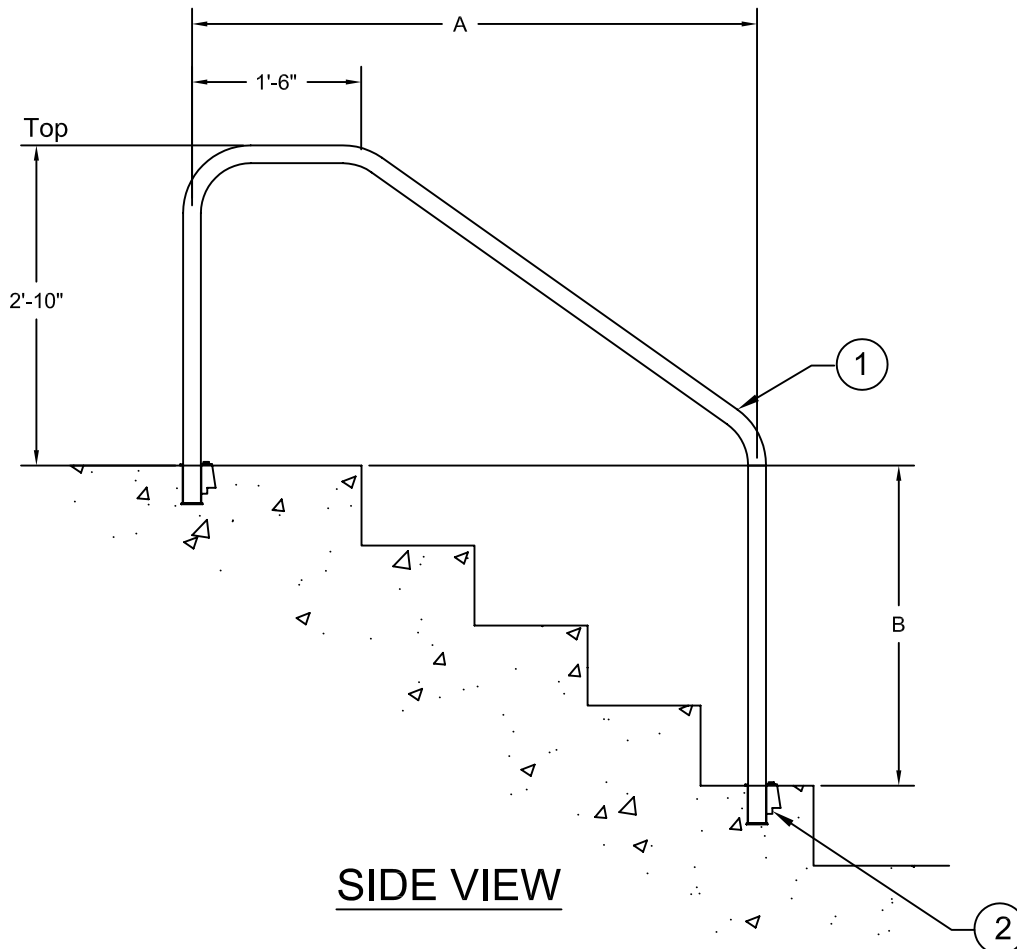


Three Bend Stair Rail



SIDE VIEW

1.90" x .065" T304 S/S

ID Number	A (in)	B (in)
34201	48	26
34202	60	34
34203	72	42

1.90" x .109" T304 S/S

ID Number	A (in)	B (in)
34204	48	26
34205	60	34
34206	72	42

1.90" x .145" T304 S/S

ID Number	A (in)	B (in)
34207	48	26
34208	60	34
34209	72	42

Specifications

- ① The stair rail shall be fabricated from one continuous length of tubing. The tubing shall be ASTM A-554 certified 1.90" OD x _____" wall thickness Type 304 stainless steel polished to a 320 grit finish. All bends shall be smooth and free of wrinkles.
- ② The stair rail shall be anchored in 4" deep bronze wedge anchor sockets (not included), which shall be fully imbedded in a concrete deck.

General

The stainless steel frame shall be electro-chemically passivated on all worked areas for maximum corrosion resistance. All hardware shall be 18-8 stainless steel. Custom designs and modifications are available upon request.

The data represents the latest knowledge available to us at time of presentation. However, Paragon Aquatics and others involved in gathering and presenting this drawing assume no liability for its use.

© 2008 Paragon Aquatics



**PARAGON
AQUATICS**

Pentair Water
Commercial Pool & Aquatics

1351 Route 55
LaGrangeville, New York
12540
Phone: 845-463-7200
Fax: 845-463-7291
www.paragonaquatics.com

Drawn by: SF	Date: 6/27/08	Approved by: JMM	Date: 6/27/08
Sheet Title: Three Bend Stair Rail			
Drawing Number: SS-SR20.62	Revision Letter: C	Sheet: 1 of 1	