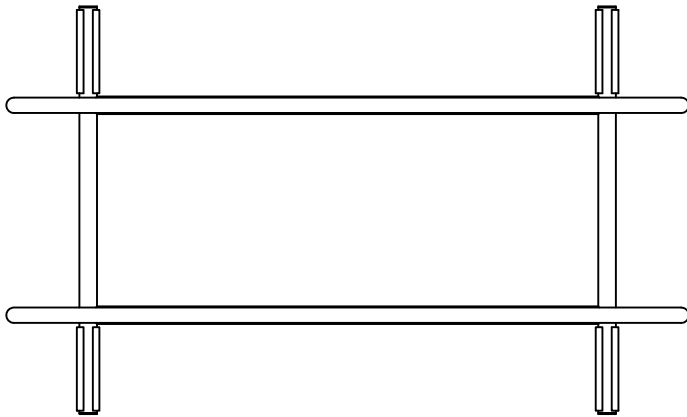
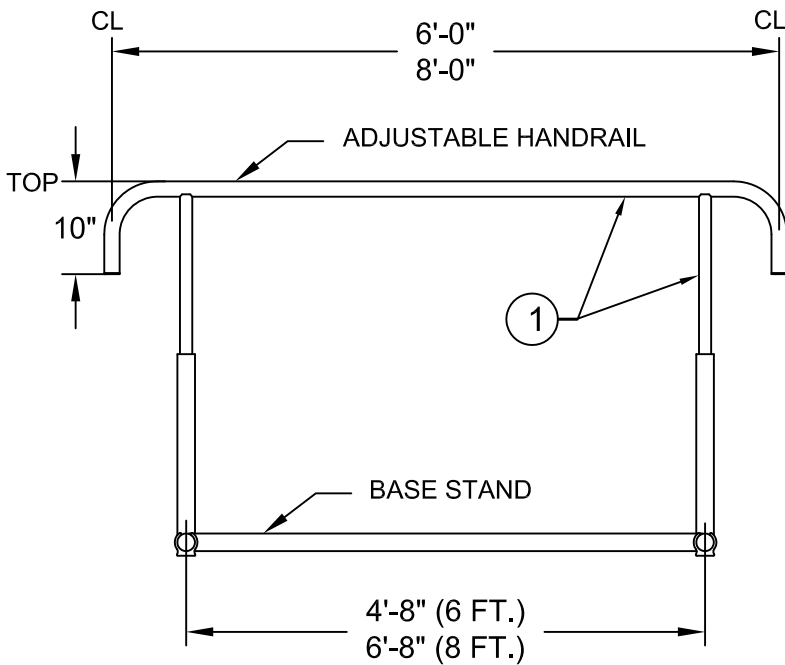
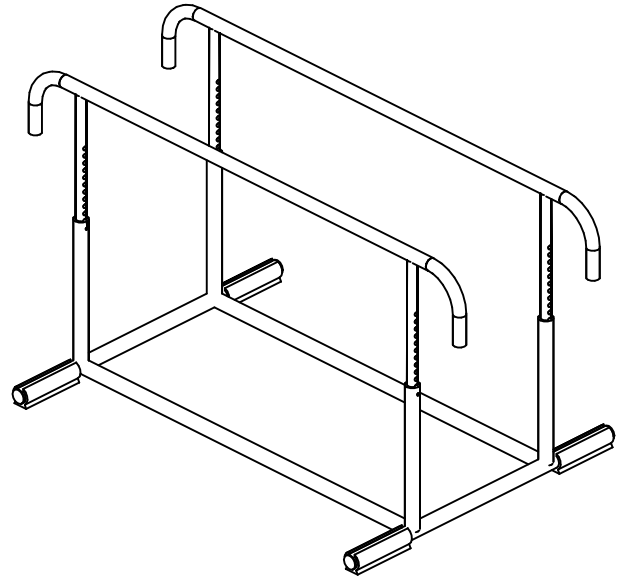


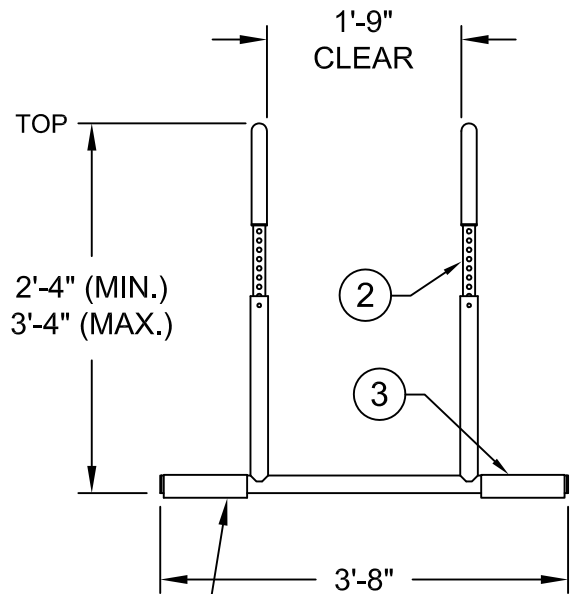
Therapy Parallel Bars



PLAN VIEW



SIDE VIEW



RUBBER SLEEVES
(TYP. @ 4 PLACES)

FRONT VIEW

The data represents the latest knowledge available to us at time of presentation. However, Paragon Aquatics and others involved in gathering and presenting this drawing assume no liability for its use.

© 2008 Paragon Aquatics



**PARAGON
AQUATICS**

Pentair Water
Commercial Pool & Aquatics

1351 Route 55
LaGrangeville, New York
12540
Phone: 845-463-7200
Fax: 845-463-7291
www.paragonaquatics.com

Drawn by: RV Date: 6/27/08 Approved by: SF Date: 6/27/08

Sheet Title: Therapy Parallel Bars

Drawing Number: SS-TA20.66

Revision Letter: B

Sheet: 1 of 2

Therapy Parallel Bars

Part Number: **34510 - 6 FT.**
 34515 - 8 FT.

Specifications

- ① Parallel bars shall be of ASTM A-554 certified type 304 stainless steel with handrails made of 1.66" OD x .109" wall thickness with a 320 grit satin finish. The supporting base stand shall be 1.90" OD x .109" wall thickness. The vertical adjustable posts shall be 1.315" OD x .109" wall thickness. All tube ends are capped. All joints are fusion welded and cleaned.
- ② Parallel bars are adjustable by 1" increments and held in place by a stainless steel quick release pin. A welded stainless steel chain fastens the pin to the vertical supports.
- ③ Four rubber sleeves are provided for each leg to aid in preventing movement during use.

General

The stainless steel frame shall be electro-chemically passivated on all worked areas for maximum corrosion resistance. All bends shall be smooth and wrinkle free. All hardware shall be 18-8 stainless steel. Custom designs and modifications are available upon request.

The data represents the latest knowledge available to us at time of presentation. However, Paragon Aquatics and others involved in gathering and presenting this drawing assume no liability for its use.

© 2008 Paragon Aquatics



**PARAGON
AQUATICS**

Pentair Water
Commercial Pool & Aquatics

1351 Route 55
LaGrangeville, New York
12540
Phone: 845-463-7200
Fax: 845-463-7291
www.paragonaquatics.com

Drawn by: RV	Date: 6/27/08	Approved by: SF	Date: 6/27/08
Sheet Title:	Therapy Parallel Bars		
Drawing Number: SS-TA20.66	Revision Letter: B	Sheet: 2 of 2	