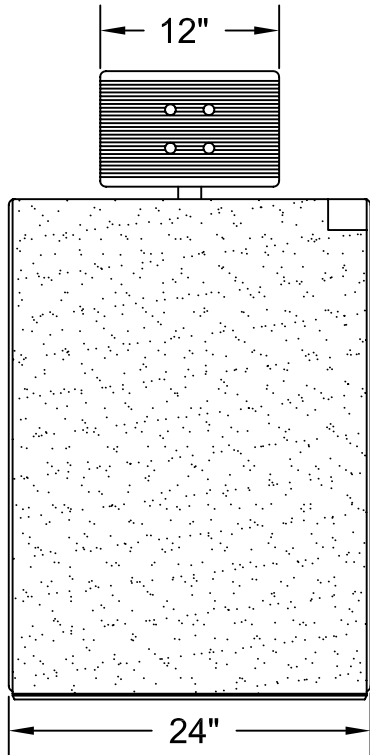
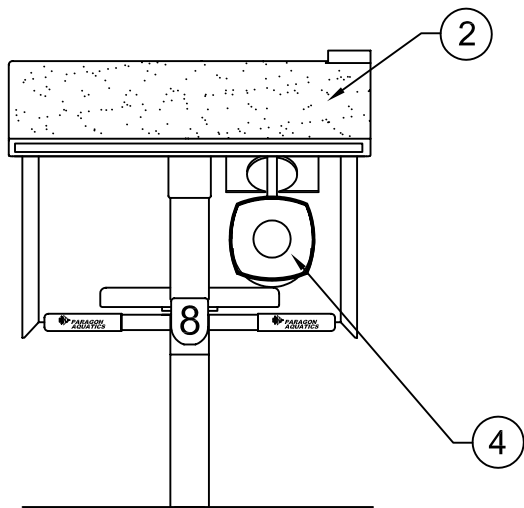
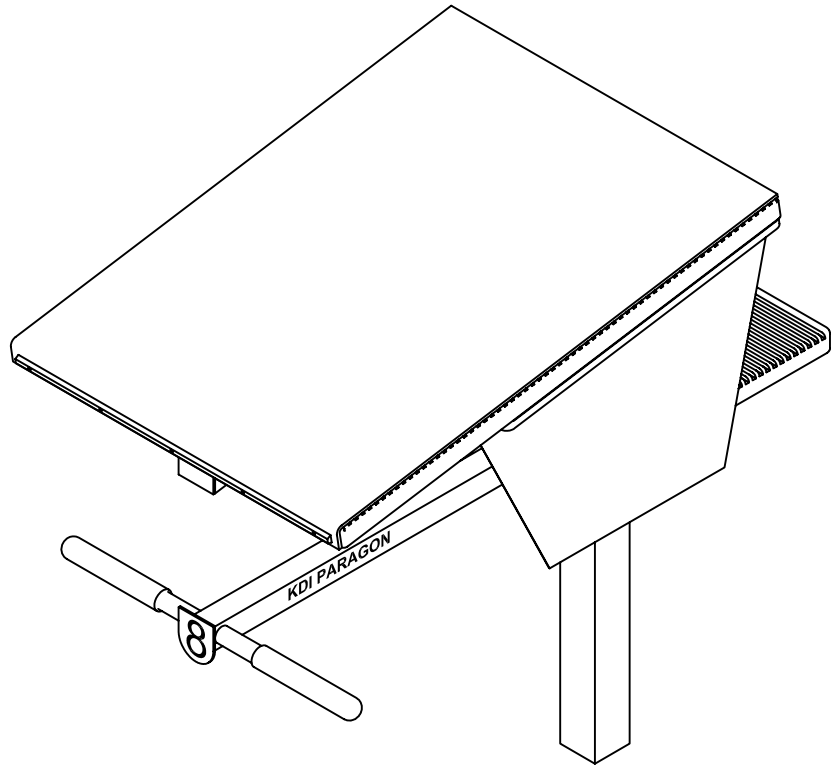


Colorado Block™ Track Start Quickset Model

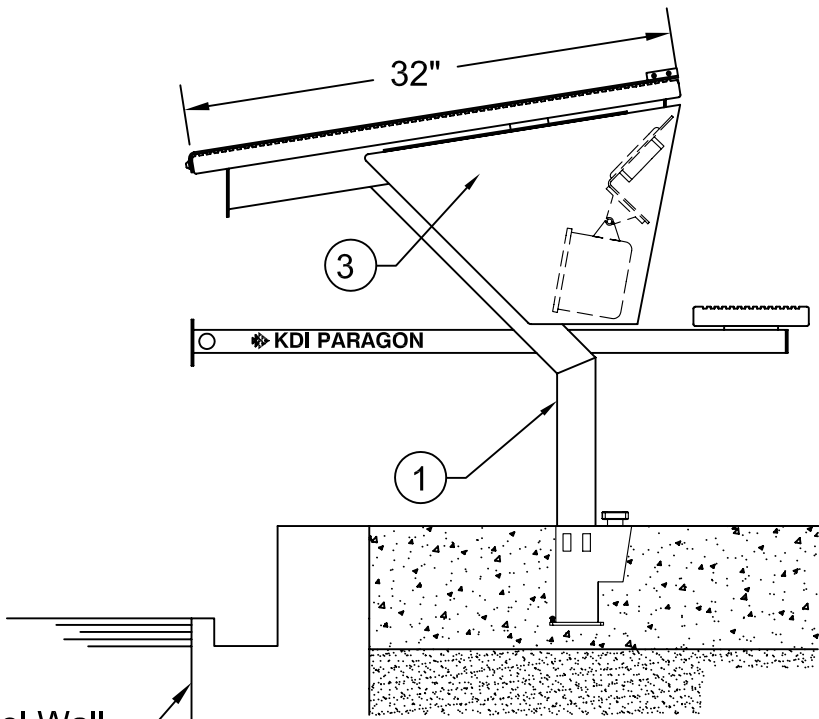


PLAN VIEW



Water Line
(Ref.)

FRONT VIEW



Pool Wall
(Ref.)

SIDE VIEW

The data represents the latest knowledge available to us at time of presentation. However, Paragon Aquatics and others involved in gathering and presenting this drawing assume no liability for its use.

© 2009 Paragon Aquatics



**PARAGON
AQUATICS**

Pentair Water
Commercial Pool & Aquatics

1351 Route 55
LaGrangeville, New York
12540
Phone: 845-463-7200
Fax: 845-463-7291
www.paragonaquatics.com

Drawn by: JMM Date: 12/22/09 Approved by: SF Date: 12/22/09

Sheet Title: Colorado Block Track Start Quickset

Drawing Number: SS-SP10.72

Revision Letter: C

Sheet: 1 of 2

Colorado Block™ Track Start Quickset Model

Part Numbers Requires:

24700 Thru 24726 - Paragon Track Start Quickset Platform

22672D - Colorado Block Adaptor Kit (Sponsor's Panel, Mounting Hardware)

22670E - Colorado Time Systems Equipment (RJP, Horn, Connection Plate)

Specifications

- ① The Track Start Quickset starting platform shall have an elevated platform top supported by a sloping stainless steel frame. The platform frame shall be manufactured of 2 1/2" square x .125" wall thickness Type 304 stainless steel polished to a 320 grit finish. The backstroke bar and step support shall be made of 1 1/2" Sq x .065" wall thickness Type 304 stainless steel polished to a 320 grit finish, and located in a range consistent with all ruling bodies. The backstroke bar and step support shall be fully welded to the pedestal. The platform top (24" x 32") and step (8" x 12") shall be constructed of UV inhibited high density polypropylene. They shall have a dual non-skid cross grooved with a sand textured finish surface.
- ② The Relay Judging Platform (RJP) shall include a start indicator light located at the front of the platform. The RJP shall have non-skid surface and shall be capable of 1/100th of one second timing accuracy. The RJP shall mount in existing holes of the platform top and be secured and removed without the use of tools using stainless steel quick connect hardware.
- ③ The platform shall include a decorative enclosure (Sponsor's Panel) for logo artwork and graphic displays (by others) for advertising purposes. The Sponsor's Panel shall be made of Type 304 stainless steel with a clear powder coated finish. The Sponsor's Panel shall be removeable without the use of tools.
- ④ A False Start Horn and Connection Plate shall be provided and mounted on to the the Sponsor's Panel for easy access.

General

The stainless steel frame shall be electro-chemically passivated on all worked areas for maximum corrosion resistance. All hardware shall be 18-8 stainless steel. Custom designs and modifications are available upon request.

Notes

1. Sponsor's Panels vary in size and shape based on model of Track Start Quickset Platform.
2. Refer to specification sheets SS-10.60.7 for specific Track Start Quickset starting platform model selection.



WARNING : Starting platforms are to be used only by trained competitive swimmers. Only shallow racing dives should be executed. Impact with the pool bottom can cause serious injury. Please refer to applicable codes and regulations for your specific installation.

The data represents the latest knowledge available to us at time of presentation. However, Paragon Aquatics and others involved in gathering and presenting this drawing assume no liability for its use.

© 2009 Paragon Aquatics



**PARAGON
AQUATICS**

Pentair Water
Commercial Pool & Aquatics

1351 Route 55
LaGrangeville, New York
12540
Phone: 845-463-7200
Fax: 845-463-7291
www.paragonaquatics.com

Drawn by: JMM Date: 12/22/09 Approved by: SF Date: 12/22/09

Sheet Title: Colorado Block Track Start Quickset

Drawing Number: SS-SP10.72 Revision Letter: A Sheet: 2 of 2