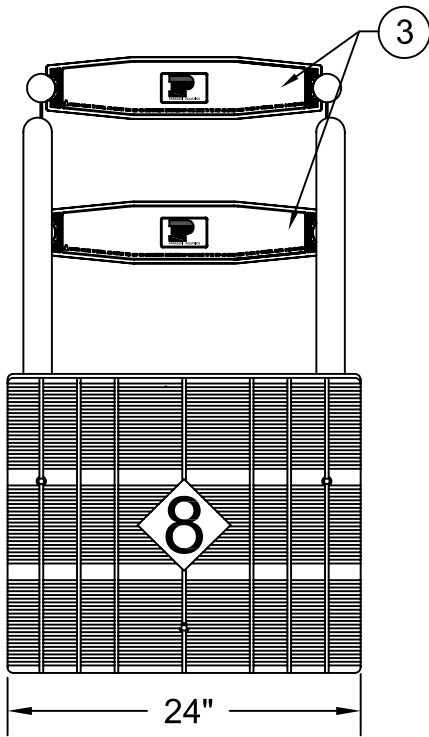
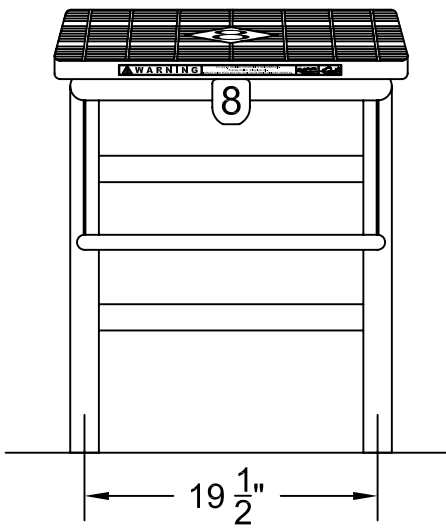
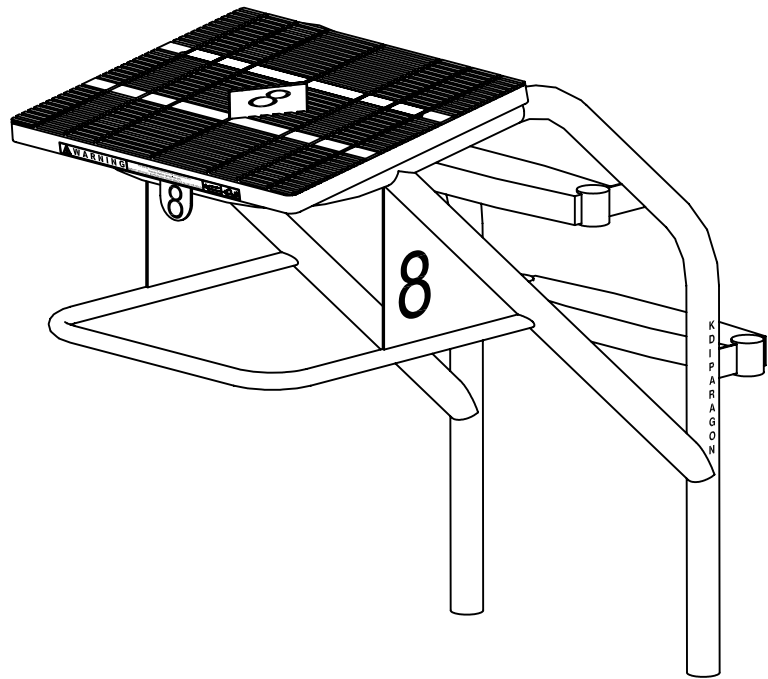


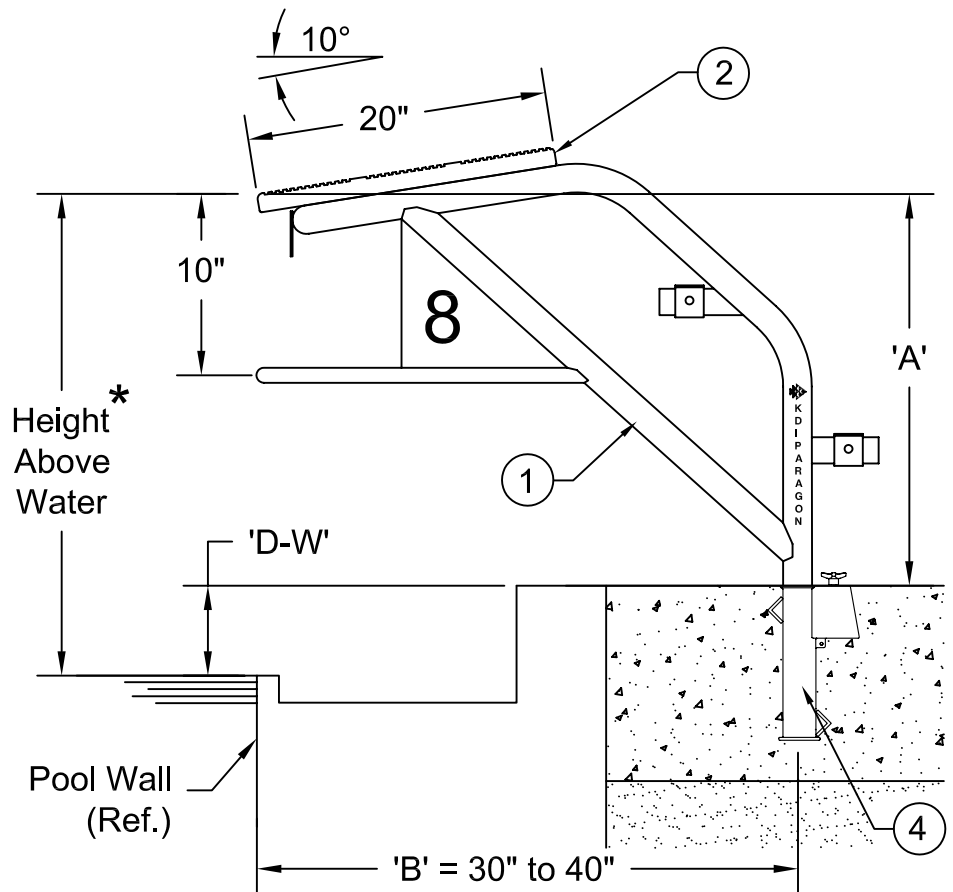
Long Reach Competitor Starting Platform (B= 30" to 40")



PLAN VIEW



FRONT VIEW



SIDE VIEW

The data represents the latest knowledge available to us at time of presentation. However, Paragon Aquatics and others involved in gathering and presenting this drawing assume no liability for its use.



**PARAGON
AQUATICS**

Pentair Water
Commercial Pool & Aquatics

1351 Route 55
LaGrangeville, New York
12540
Phone: 845-463-7200
Fax: 845-463-7291
www.paragonaquatics.com

Drawn by: RV Date: 2/22/10 Approved by: SF Date: 2/22/10

Sheet Title: Long Reach Competitor Starting Platform

Drawing Number: SS-SP10.60.2 Revision Letter: D Sheet: 1 of 2

Long Reach Competitor Starting Platform (B= 30" to 40")

Specifications

- ① The Long Reach Competitor starting platform shall have an elevated platform top supported by a sloping stainless steel frame. The platform frame shall be manufactured of 1.90" diameter x .109" wall thickness Type 304 stainless steel polished to a 320 grit finish. The platform posts shall be reinforced with a welded 1.66" diameter x .140" wall thickness T304 stainless steel insert. The backstroke bar shall be made of 1" diameter x .065" wall thickness Type 304 stainless steel polished to a 320 grit finish, and located in a range consistent with all ruling bodies. The backstroke bar and step supports shall be fully welded to the pedestal.
- ② The platform top (24" wide x 20" deep) shall be constructed of UV inhibited high density polypropylene. It shall have a dual non-skid cross-grooved with a sand textured finish surface. The top shall be permanently positioned at a 10° tilt towards the pool.
- ③ The platform steps shall be made of injection molded, UV inhibited ABS material (white). The steps shall be 19" long x 4" wide with an integral non-skid surface.
- ④ The platform shall be anchored to the patented taper-lock 10" Dual Wedge Competitor anchor socket, ID #23140DW, and shall be removeable without the use of tools.

General

The stainless steel frame shall be electro-chemically passivated on all worked areas for maximum corrosion resistance. All hardware shall be 18-8 stainless steel. Custom designs and modifications are available upon request.

Selector Chart

| Identification # | | Identification # | | | | | |
|------------------|-----|--------------------|-------------|---------|-----|--------------------|-------------|
| 'A' | 'B' | Complete w/ Anchor | Less Anchor | 'A' | 'B' | Complete w/ Anchor | Less Anchor |
| 31" | ** | 24301 | 24301-A | 25 1/2" | ** | 24312 | 24312-A |
| 30 1/2" | ** | 24302 | 24302-A | 25" | ** | 24313 | 24313-A |
| 30" | ** | 24303 | 24303-A | 24 1/2" | ** | 24314 | 24314-A |
| 29 1/2" | ** | 24304 | 24304-A | 24" | ** | 24315 | 24315-A |
| 29" | ** | 24305 | 24305-A | 23 1/2" | ** | 24316 | 24316-A |
| 28 1/2" | ** | 24306 | 24306-A | 23" | ** | 24317 | 24317-A |
| 28" | ** | 24307 | 24307-A | 22 1/2" | ** | 24318 | 24318-A |
| 27 1/2" | ** | 24308 | 24308-A | 22" | ** | 24319 | 24319-A |
| 27" | ** | 24309 | 24309-A | 21 1/2" | ** | 24320 | 24320-A |
| 26 1/2" | ** | 24310 | 24310-A | 21" | ** | 24321 | 24321-A |
| 26" | ** | 24311 | 24311-A | | | | |

** - "B" dimension can vary between 30" and 40". Dimension must be specified at the time of order.

Sizing Information (See drawing on reverse side)

- 1- "A" dimension shall be the vertical dimension from the top of the anchor socket at deck level to the top front edge of the platform top.
 - 2- "B" dimension shall be the horizontal dimension from the pool wall to the center of the anchor socket.
 - 3- "D-W" dimension shall be the vertical dimension from water level to the top of the anchor socket at deck level.
- *- See specification sheet SS-SP10.50 for important information regarding platform sizing requirements and how to order.

Accessories

| ID Number | Description |
|-----------|---|
| 23141DW | 10" Dual Wedge Competitor anchor socket, individual |
| 23140DW | 10" Dual Wedge Competitor anchor socket assembly |
| 23104 | Setting jig for competitor anchor assembly |
| 23990C | Color upgrade (per unit) for sand finish top |
| 23991 | Custom Logo Upgrade |
| 23960 | Safety cover for platforms with 20" x 24" tops |



WARNING : Starting platforms are to be used only by trained competitive swimmers. Only shallow racing dives should be executed. Impact with the pool bottom can cause serious injury. Please refer to applicable codes and regulations for your specific installation.

The data represents the latest knowledge available to us at time of presentation. However, Paragon Aquatics and others involved in gathering and presenting this drawing assume no liability for its use.



PARAGON AQUATICS
Pentair Water
Commercial Pool & Aquatics

1351 Route 55
LaGrangeville, New York
12540
Phone: 845-463-7200
Fax: 845-463-7291
www.paragonaquatics.com

| | | | |
|--|--------------------|-----------------|---------------|
| Drawn by: RV | Date: 2/22/10 | Approved by: SF | Date: 2/22/10 |
| Sheet Title: Long Reach Competitor Starting Platform | | | |
| Drawing Number: SS-SP10.60.2 | Revision Letter: D | Sheet: 2 of 2 | |