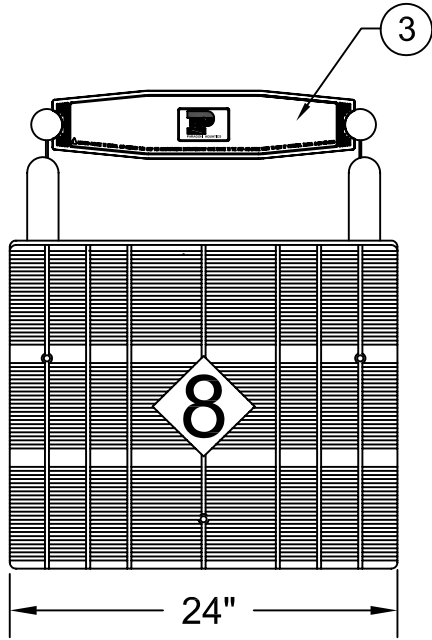
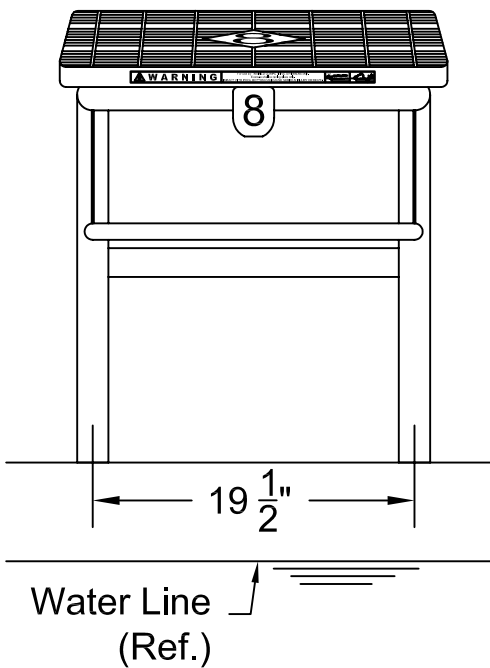
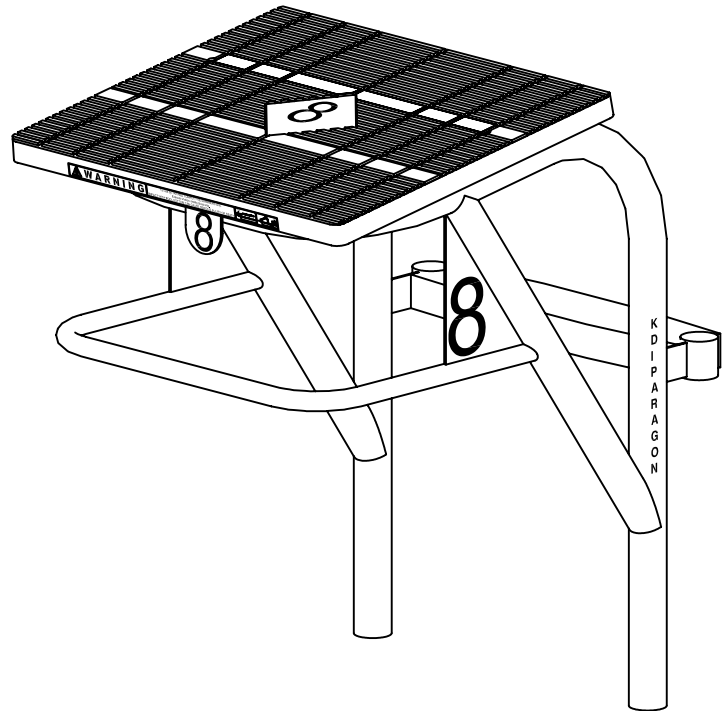


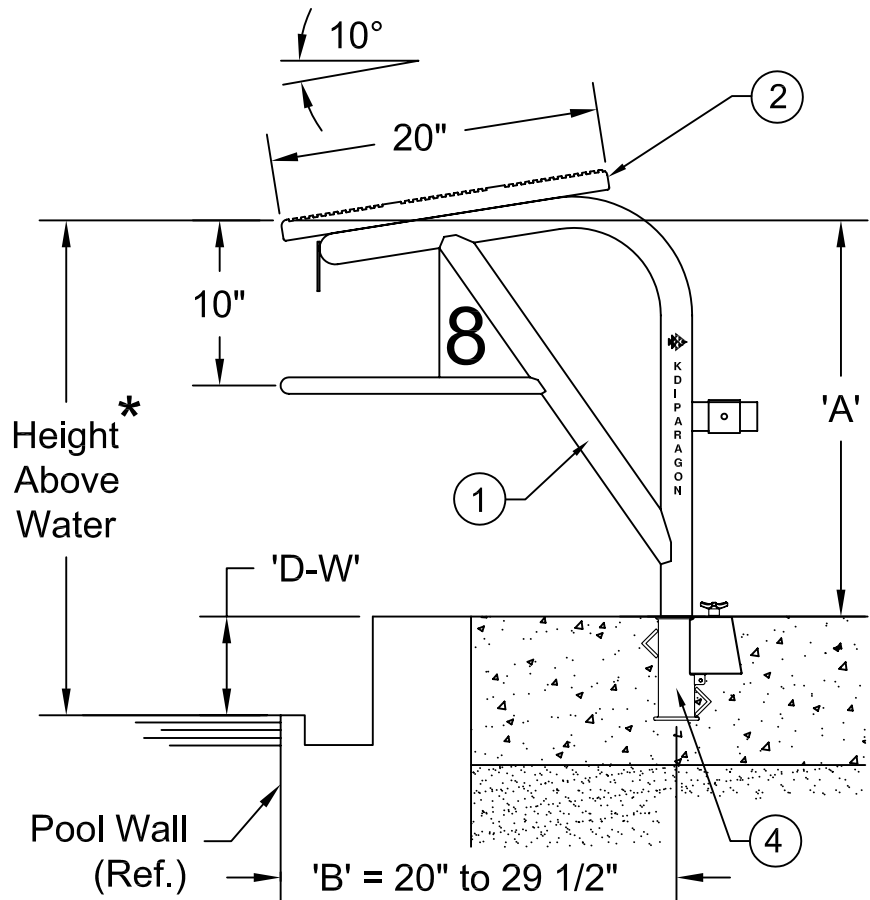
Long Reach Competitor Starting Platform (B= 20" to 29 1/2")



PLAN VIEW



FRONT VIEW



SIDE VIEW

The data represents the latest knowledge available to us at time of presentation. However, Paragon Aquatics and others involved in gathering and presenting this drawing assume no liability for its use.

© 2010 Paragon Aquatics



PARAGON AQUATICS
Pental Water
Commercial Pool & Aquatics

1351 Route 55
LaGrangeville, New York
12540
Phone: 845-463-7200
Fax: 845-463-7291
www.paragonaquatics.com

Drawn by: JMM	Date: 3/8/10	Approved by: RV	Date: 3/8/10
Sheet Title: Long Reach Competitor Starting Platform			
Drawing Number: SS-SP10.60.1	Revision Letter: E	Sheet: 1 of 2	

Long Reach Competitor Starting Platform (B= 20" to 29 1/2")

Specifications

- ① The Long Reach Competitor starting platform shall have an elevated platform top supported by a sloping stainless steel frame. The platform frame shall be manufactured of 1.90" diameter x .109" wall thickness Type 304 stainless steel polished to a 320 grit finish. The backstroke bar shall be made of 1" diameter x .065" wall thickness Type 304 stainless steel polished to a 320 grit finish, and located in a range consistent with all ruling bodies. The backstroke bar and step supports shall be fully welded to the pedestal.
- ② The platform top (24" wide x 20" deep) shall be constructed of UV inhibited high density polypropylene. It shall have a dual non-skid cross-grooved with a sand textured finish surface. The top shall be permanently positioned at a 10° tilt towards the pool.
- ③ The platform step shall be made of injection molded, UV inhibited ABS material (white). The step shall be 19" long x 4" wide with an integral non-skid surface.
- ④ The platform shall be anchored to the patented taper-lock 6" Dual Wedge Competitor anchor socket, ID #23103DW, and shall be removeable without the use of tools.

General

The stainless steel frame shall be electro-chemically passivated on all worked areas for maximum corrosion resistance. All hardware shall be 18-8 stainless steel. Custom designs and modifications are available upon request.

Selector Chart

Identification #		Identification #					
'A'	'B'	Complete w/ Anchor	Less Anchor	'A'	'B'	Complete w/ Anchor	Less Anchor
31"	**	24401	24401-A	23 1/2"	**	24416	24416-A
30 1/2"	**	24402	24402-A	23"	**	24417	24417-A
30"	**	24403	24403-A	22 1/2"	**	24418	24418-A
29 1/2"	**	24404	24404-A	22"	**	24419	24419-A
29"	**	24405	24405-A	21 1/2"	**	24420	24420-A
28 1/2"	**	24406	24406-A	21"	**	24421	24421-A
28"	**	24407	24407-A	20 1/2"	**	24422	24422-A
27 1/2"	**	24408	24408-A	20"	**	24423	24423-A
27"	**	24409	24409-A	19 1/2"	**	24424	24424-A
26 1/2"	**	24410	24410-A	19"	**	24425	24425-A
26"	**	24411	24411-A	18 1/2"	**	24426	24426-A
25 1/2"	**	24412	24412-A	18"	**	24427	24427-A
25"	**	24413	24413-A	17 1/2"	**	24428	24428-A
24 1/2"	**	24414	24414-A	17"	**	24429	24429-A
24"	**	24415	24415-A				

** - "B" dimension can vary between 20" and 29 1/2". Dimension must be specified at the time of order.

Sizing Information (See drawing on reverse side)

- 1- "A" dimension shall be the vertical dimension from the top of the anchor socket at deck level to the top front edge of the platform top.
 - 2- "B" dimension shall be the horizontal dimension from the pool wall to the center of the anchor socket.
 - 3- "D-W" dimension shall be the vertical dimension from water level to the top of the anchor socket at deck level.
- *- See specification sheet SS-SP10.50 for important information regarding platform sizing requirements and how to order.

Accessories

ID Number	Description
23102DW	6" Dual Wedge Competitor anchor socket, individual
23103DW	6" Dual Wedge Competitor anchor socket assembly
23104	Setting jig for competitor anchor assembly
23990C	Color upgrade (per unit) for sand finish top
23991	Custom Logo Upgrade
23960	Safety cover for platforms with 20" x 24" tops



WARNING : Starting platforms are to be used only by trained competitive swimmers. Only shallow racing dives should be executed. Impact with the pool bottom can cause serious injury. Please refer to applicable codes and regulations for your specific installation.

The data represents the latest knowledge available to us at time of presentation. However, Paragon Aquatics and others involved in gathering and presenting this drawing assume no liability for its use.



PARAGON AQUATICS

Pentair Water
Commercial Pool & Aquatics

1351 Route 55
LaGrangeville, New York
12540
Phone: 845-463-7200
Fax: 845-463-7291
www.paragonaquatics.com

Drawn by: JMM	Date: 3/8/10	Approved by: RV	Date: 3/8/10
Sheet Title: Long Reach Competitor Starting Platform			
Drawing Number: SS-SP10.60.1	Revision Letter: E	Sheet: 2 of 2	