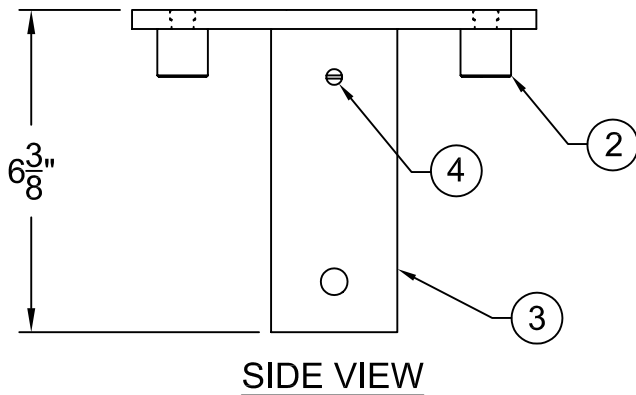
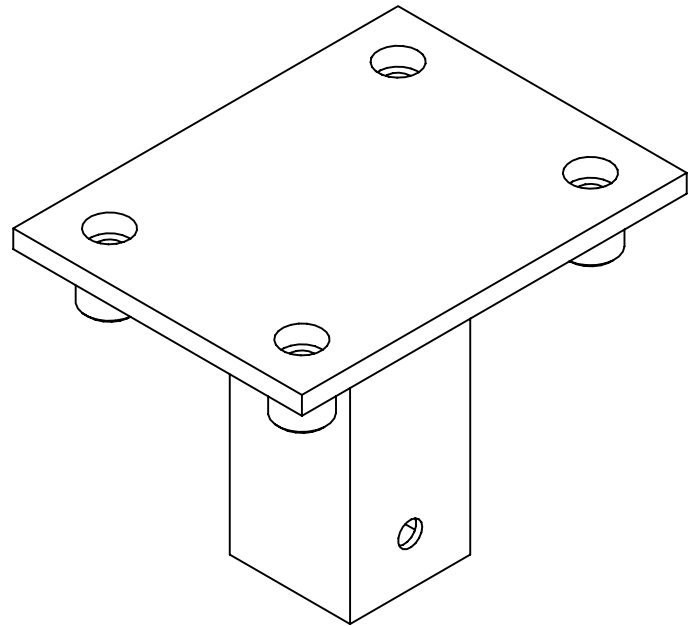
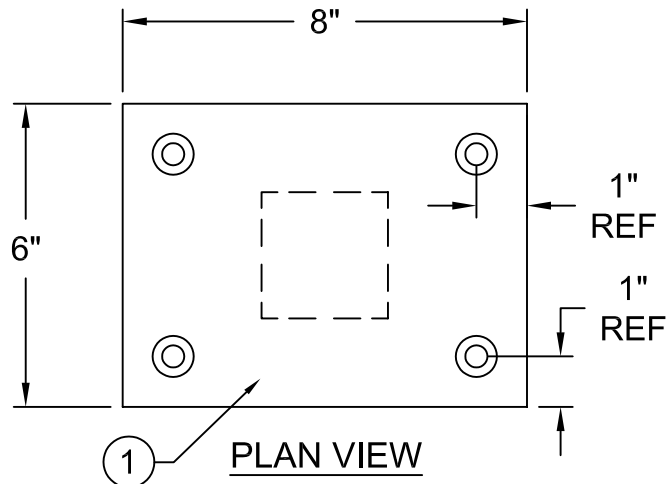


Long Reach Paraflyte Anchor



Part Number: **22501**

Specifications

- ① Top plate shall be made of heavy duty 3/8" thick T304 stainless steel, to be mounted flush with the finished pool deck.
- ② Four 1" bushings, made of T304 Stainless Steel, shall be welded to the top plate. The bushings shall have a 1/2"-13 internal thread. Four bolts shall be provided for anchoring Long Reach Standard Paraflyte single-legged platform.
- ③ Anchor base shall be made of 2 1/2" square T304 stainless steel tubing, welded to the top plate. A 1/2" thru hole is provided in tubing to aid in securing anchor in concrete.
- ④ A brass screw is provided for bonding/grounding purposes.

General

Anchor shall be electro-chemically passivated on all worked areas for maximum corrosion resistance. All hardware shall be 18-8 stainless steel. Anchor is to be fully embedded in concrete and installed per Paragon Aquatics installation instructions. Anchor is intended for use with the Long Reach Paraflyte platform only.

The data represents the latest knowledge available to us at time of presentation. However, Paragon Aquatics and others involved in gathering and presenting this drawing assume no liability for its use.



**PARAGON
AQUATICS**
Pentair Water
Commercial Pool & Aquatics

1351 Route 55
LaGrangeville, New York
12540
Phone: 845-463-7200
Fax: 845-463-7291
www.paragonaquatics.com

Drawn by: RV Date: 6/27/08 Approved by: JMM Date: 6/27/08

Sheet Title: Long Reach Paraflyte Anchor

Drawing Number: SS-SPA20.95

Revision Letter: A

Sheet: 1 of 1