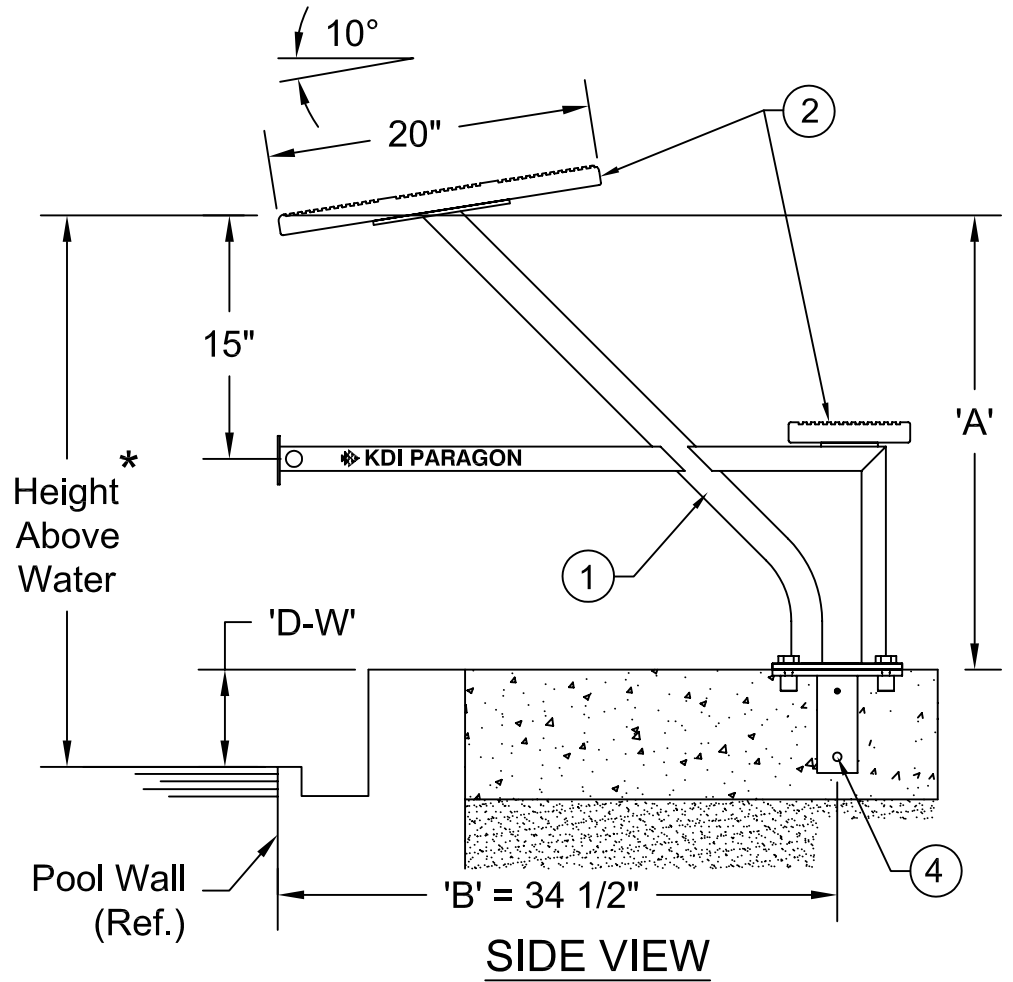
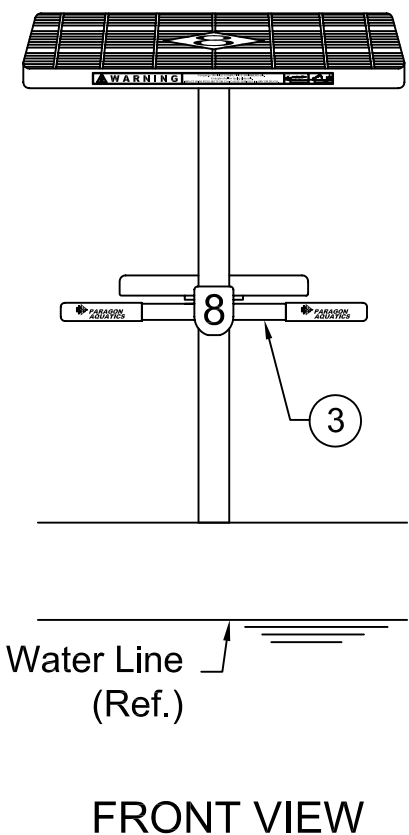
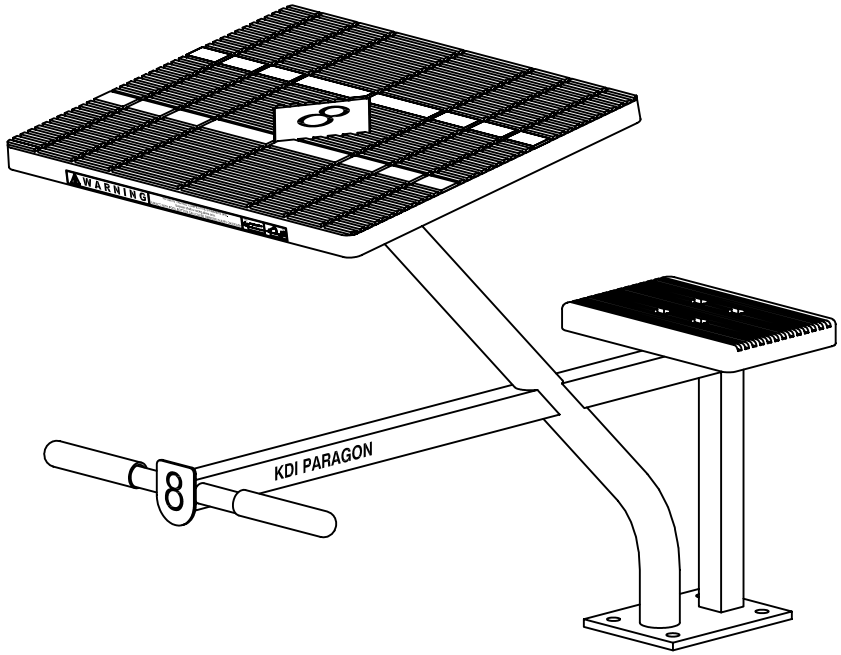
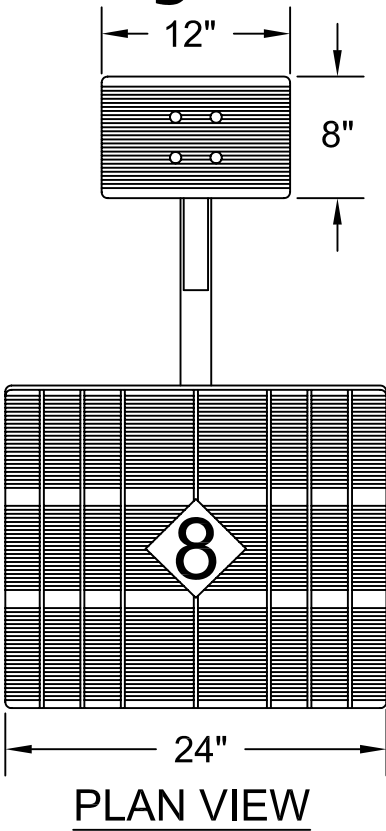


Long Reach Paraflyte Starting Platform



The data represents the latest knowledge available to us at time of presentation. However, Paragon Aquatics and others involved in gathering and presenting this drawing assume no liability for its use.



PARAGON AQUATICS
Pentair Water
Commercial Pool & Aquatics

1351 Route 55
LaGrangeville, New York
12540
Phone: 845-463-7200
Fax: 845-463-7291
www.paragonaquatics.com

Drawn by: SF	Date: 6/27/08	Approved by: RV	Date: 6/27/08
Sheet Title: Long Reach Paraflyte Starting Platform			
Drawing Number: SS-SP10.53	Revision Letter: C	Sheet: 1 of 2	

Long Reach Paraflyte Starting Platform

Specifications

- ① The Long Reach Paraflyte starting platform shall have an elevated platform top supported by a sloping stainless steel pedestal. The platform pedestal shall be manufactured of 1.90" x .145" wall thickness Type 304 stainless steel polished to a 320 grit finish. The backstroke bar and step supports shall be made of 1.50" square x .065" wall thickness Type 304 stainless steel polished to a 320 grit finish. The backstroke bar and step supports shall be fully welded to the pedestal. A 6" x 8" x 3/8" stainless steel anchor flange plate shall be welded to the frame.
- ② The platform top (24" wide x 20" deep) and intermediate step (8" x 12") shall be constructed of UV inhibited high density polypropylene. They shall have a dual non-skid cross-grooved with a sand textured finish surface. The top shall be permanently positioned at a 10° tilt towards the pool.
- ③ A backstroke bar with rubber hand grips shall be located in a range consistent with all ruling bodies. The backstroke bar shall be 1.00" O.D. x .065" wall thickness Type 304 stainless steel.
- ④ The platform shall be anchored to the Long Reach Paraflyte anchor socket, ID #22501, with four 1/2"-13 hex head bolts.

General

The stainless steel frame shall be electro-chemically passivated on all worked areas for maximum corrosion resistance. All hardware shall be 18-8 stainless steel. Custom designs and modifications are available upon request.

Selector Chart

		Identification #		
'A'	'B'	Complete w/ Anchor	Less Anchor	Pedestal Only
31"	34 1/2"	22401	22425	22434-10
30 1/2"	34 1/2"	22402	22436	22434-11
30"	34 1/2"	22403	22437	22434-12
29 1/2"	34 1/2"	22404	22428	22434-13
29"	34 1/2"	22405	22429	22434-14
28 1/2"	34 1/2"	22406	22430	22434-15
28"	34 1/2"	22407	22431	22434-16

Sizing Information (See drawing on reverse side)

- 1- "A" dimension shall be the vertical dimension from the top of the anchor socket at deck level to the top front edge of the platform top.
 - 2- "B" dimension shall be the horizontal dimension from the pool wall to the center of the anchor socket.
 - 3- "D-W" dimension shall be the vertical dimension from water level to the top of the anchor socket at deck level.
- *- See specification sheet SS-SP10.50 for important information regarding platform sizing requirements and how to order.

Accessories

ID Number	Description
22501	Long Reach Paraflyte anchor socket
23990C	Color upgrade (per unit) for sand finish top
23960	Safety cover for platforms with 20" x 24" tops



WARNING : Starting platforms are to be used only by trained competitive swimmers. Only shallow racing dives should be executed. Impact with the pool bottom can cause serious injury. Please refer to applicable codes and regulations for your specific installation.

The data represents the latest knowledge available to us at time of presentation. However, Paragon Aquatics and others involved in gathering and presenting this drawing assume no liability for its use.



**PARAGON
AQUATICS**
Pentair Water
Commercial Pool & Aquatics

1351 Route 55
LaGrangeville, New York
12540
Phone: 845-463-7200
Fax: 845-463-7291
www.paragonaquatics.com

Drawn by: SF	Date: 6/27/08	Approved by: RV	Date: 6/27/08
Sheet Title: Long Reach Paraflyte Starting Platform			
Drawing Number: SS-SP10.53	Revision Letter: C	Sheet: 2 of 2	