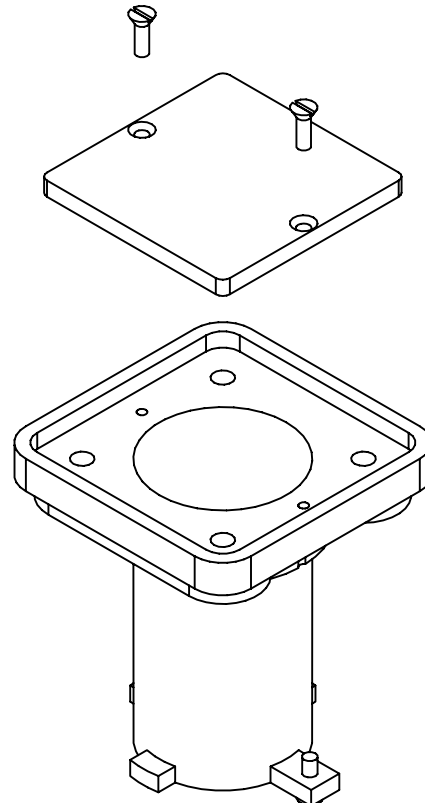
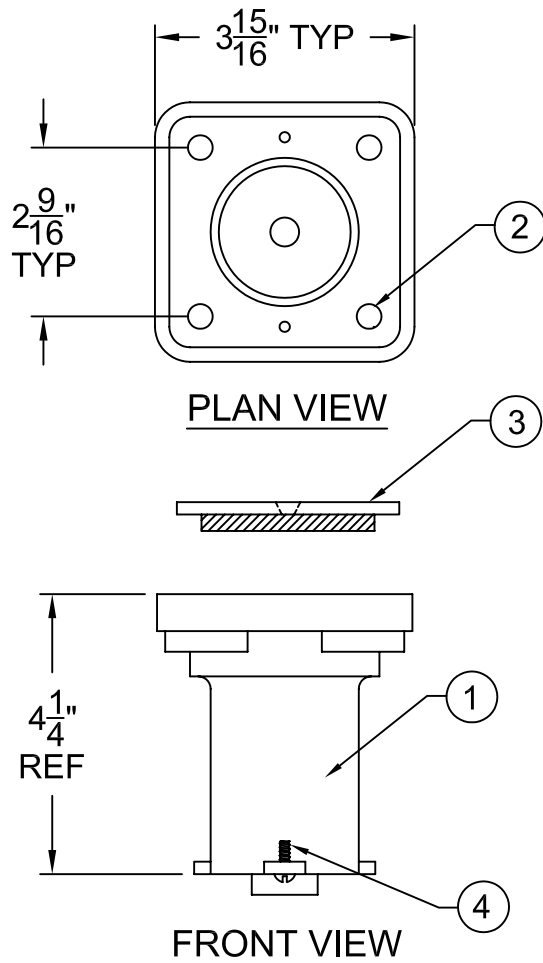


# Paraflyte Anchor



Part Number: **22201**

## Specifications

- ① Anchor shall be made of cast bronze with a hole provided in the bottom of the anchor to assist with drainage.
- ② Four 3/8"-16 threaded holes shall be provided in anchor. Four anchor bolts shall be provided for anchoring Paraflyte single leg starting platforms (except Long Reach Paraflyte starting platform).
- ③ Anchor cover shall be made of cast bronze (included) to cover anchor sockets when starting platform is not in use. A black foam pad shall be attached to the underside of the cover and the cover shall be held in place by two screws (provided).
- ④ A brass screw is provided for bonding/grounding purposes.

## General

All hardware shall be 18-8 stainless steel. Anchor is to be fully embedded in concrete and installed per Paragon Aquatics installation instructions. Anchor is intended for use with Paraflyte style platforms only.

The data represents the latest knowledge available to us at time of presentation. However, Paragon Aquatics and others involved in gathering and presenting this drawing assume no liability for its use.



**PARAGON  
AQUATICS**  
Pentair Water  
Commercial Pool & Aquatics

1351 Route 55  
LaGrangeville, New York  
12540  
Phone: 845-463-7200  
Fax: 845-463-7291  
www.paragonaquatics.com

Drawn by: RV	Date: 6/27/08	Approved by: JMM	Date: 6/27/08
Sheet Title: Paraflyte Anchor			
Drawing Number: SS-SPA20.94	Revision Letter: A	Sheet: 1 of 1	