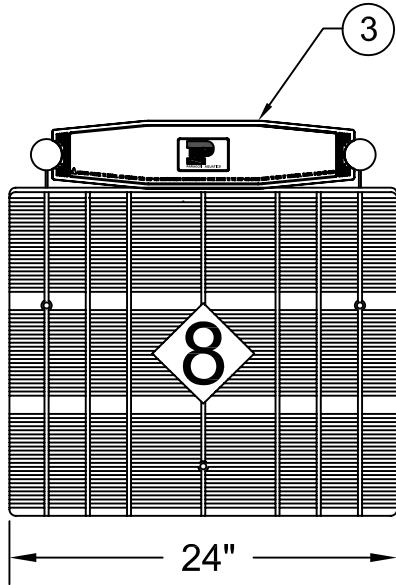
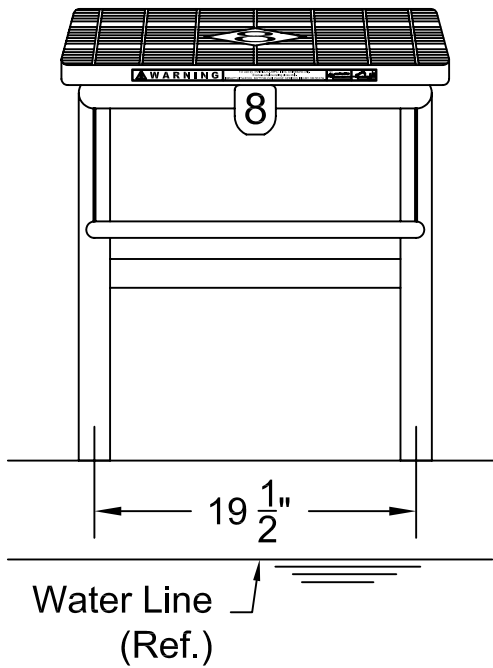
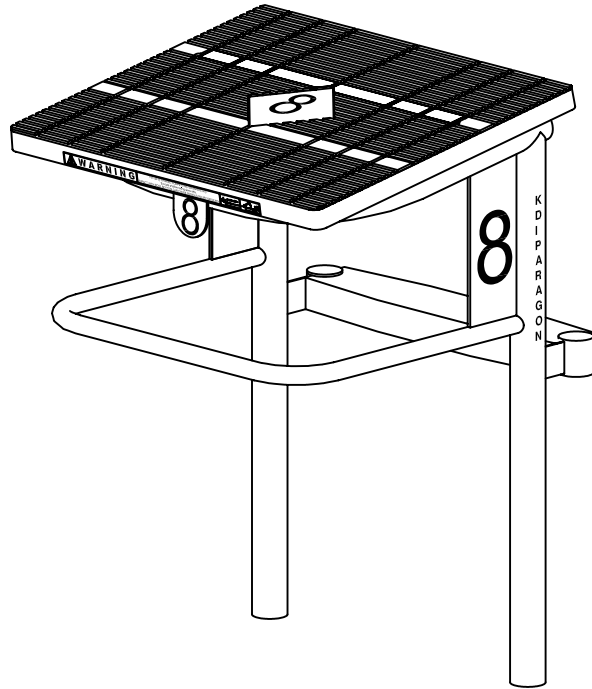


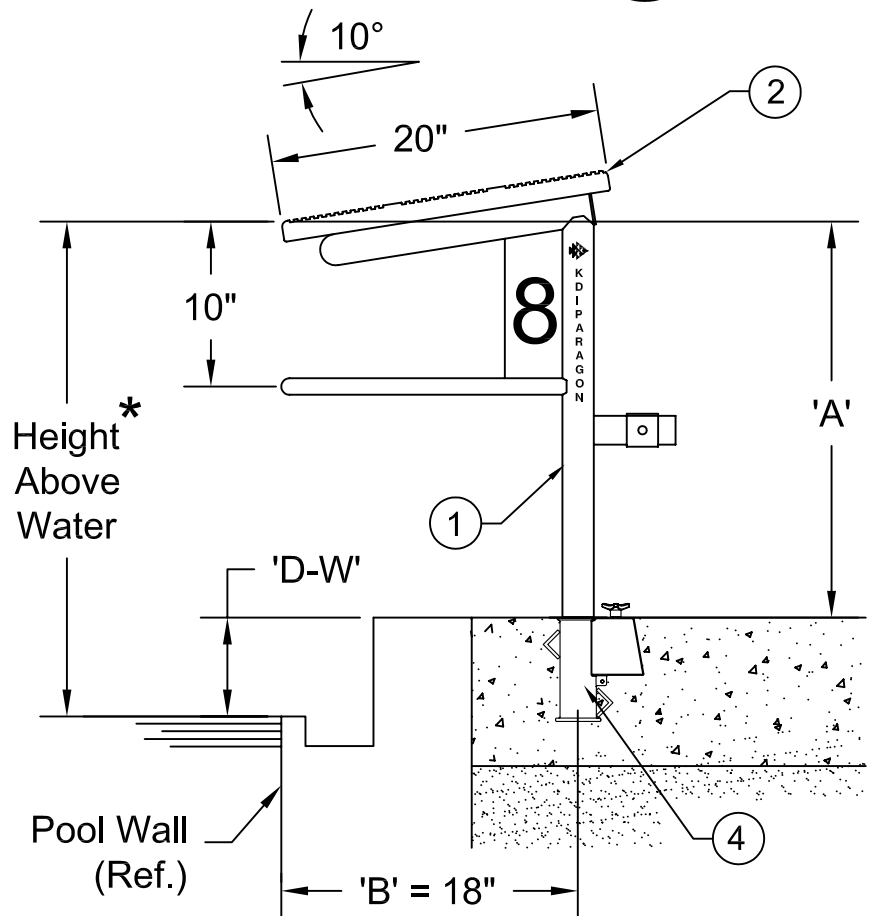
Standard Competitor Starting Platform



PLAN VIEW



FRONT VIEW



SIDE VIEW

The data represents the latest knowledge available to us at time of presentation. However, Paragon Aquatics and others involved in gathering and presenting this drawing assume no liability for its use.

© 2010 Paragon Aquatics



**PARAGON
AQUATICS**
Pentair Water
Commercial Pool & Aquatics

1351 Route 55
LaGrangeville, New York
12540
Phone: 845-463-7200
Fax: 845-463-7291
www.paragonaquatics.com

Drawn by: JMM Date: 3/8/10 Approved by: RV Date: 3/8/10

Sheet Title: Standard Competitor Starting Platform

Drawing Number: SS-SP10.59 Revision Letter: D Sheet: 1 of 2

Standard Competitor Starting Platform

Specifications

- ① The Standard Competitor starting platform shall have an elevated platform top supported by a sloping stainless steel pedestal. The platform pedestal shall be manufactured of 1.90" diameter x .109" wall thickness Type 304 stainless steel polished to a 320 grit finish. The backstroke bar shall be made of 1" diameter x .065" wall thickness Type 304 stainless steel polished to a 320 grit finish, and shall be located in a range consistent with all ruling bodies. The backstroke bar and step supports shall be fully welded to the pedestal.
- ② The platform top (24" wide x 20" deep) shall be constructed of UV inhibited high density polypropylene. It shall have a dual non-skid cross-grooved with a sand textured finish surface. The top shall be permanently positioned at a 10° tilt towards the pool.
- ③ The platform step shall be made of injection molded, UV inhibited ABS material (white). The step shall be 19" long x 4" wide with an integral non-skid surface.
- ④ The platform shall be anchored to the patented taper-lock 6" Dual Wedge Competitor anchor socket, ID #23103DW, and shall be removeable without the use of tools.

General

The stainless steel frame shall be electro-chemically passivated on all worked areas for maximum corrosion resistance. All hardware shall be 18-8 stainless steel. Custom designs and modifications are available upon request.

Selector Chart

Identification #				Identification #			
'A'	'B'	Complete w/ Anchor	Less Anchor	'A'	'B'	Complete w/ Anchor	Less Anchor
30"	18"	23001	23029	23"	18"	23015	23043
29 1/2"	18"	23002	23030	22 1/2"	18"	23016	23044
29"	18"	23003	23031	22"	18"	23017	23045
28 1/2"	18"	23004	23032	21 1/2"	18"	23018	23046
28"	18"	23005	23033	21"	18"	23019	23047
27 1/2"	18"	23006	23034	20 1/2"	18"	23020	23048
27"	18"	23007	23035	20"	18"	23021	23049
26 1/2"	18"	23008	23036	19 1/2"	18"	23022	23050
26"	18"	23009	23037	19"	18"	23023	23051
25 1/2"	18"	23010	23038	18 1/2"	18"	23024	23052
25"	18"	23011	23039	18"	18"	23025	23053
24 1/2"	18"	23012	23040	17 1/2"	18"	23026	23054
24"	18"	23013	23041	17"	18"	23027	23055
23 1/2"	18"	23014	23042				

Sizing Information (See drawing on reverse side)

- 1- "A" dimension shall be the vertical dimension from the top of the anchor socket at deck level to the top front edge of the platform top.
 - 2- "B" dimension shall be the horizontal dimension from the pool wall to the center of the anchor socket.
 - 3- "D-W" dimension shall be the vertical dimension from water level to the top of the anchor socket at deck level.
- *- See specification sheet SS-SP10.50 for important information regarding platform sizing requirements and how to order.

Accessories

ID Number	Description
23102DW	6" Dual Wedge Competitor anchor socket, individual
23103DW	6" Dual Wedge Competitor anchor socket assembly
23104	Setting jig for competitor anchor assembly
23990C	Color upgrade (per unit) for sand finish top
23991	Custom Logo Upgrade
23960	Safety cover for platforms with 20" x 24" tops



WARNING : Starting platforms are to be used only by trained competitive swimmers. Only shallow racing dives should be executed. Impact with the pool bottom can cause serious injury. Please refer to applicable codes and regulations for your specific installation.

The data represents the latest knowledge available to us at time of presentation. However, Paragon Aquatics and others involved in gathering and presenting this drawing assume no liability for its use.



**PARAGON
AQUATICS**
Pentair Water
Commercial Pool & Aquatics

1351 Route 55
LaGrangeville, New York
12540
Phone: 845-463-7200
Fax: 845-463-7291
www.paragonaquatics.com

Drawn by: JMM	Date: 3/8/10	Approved by: RV	Date: 3/8/10
Sheet Title: Standard Competitor Starting Platform			
Drawing Number: SS-SP10.59	Revision Letter: D	Sheet: 2 of 2	