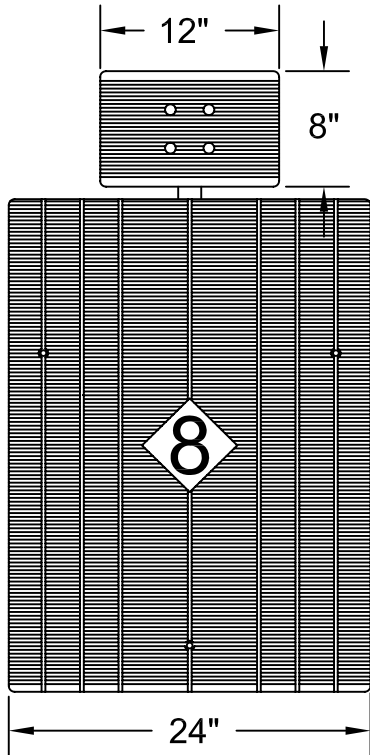
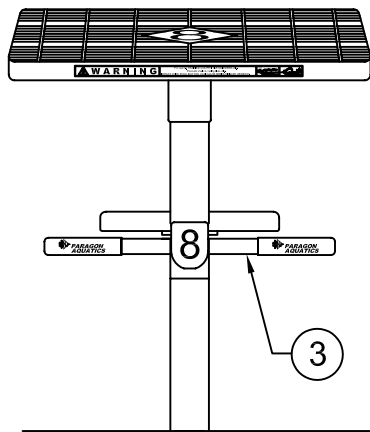


Track Start Quickset Starting Platform

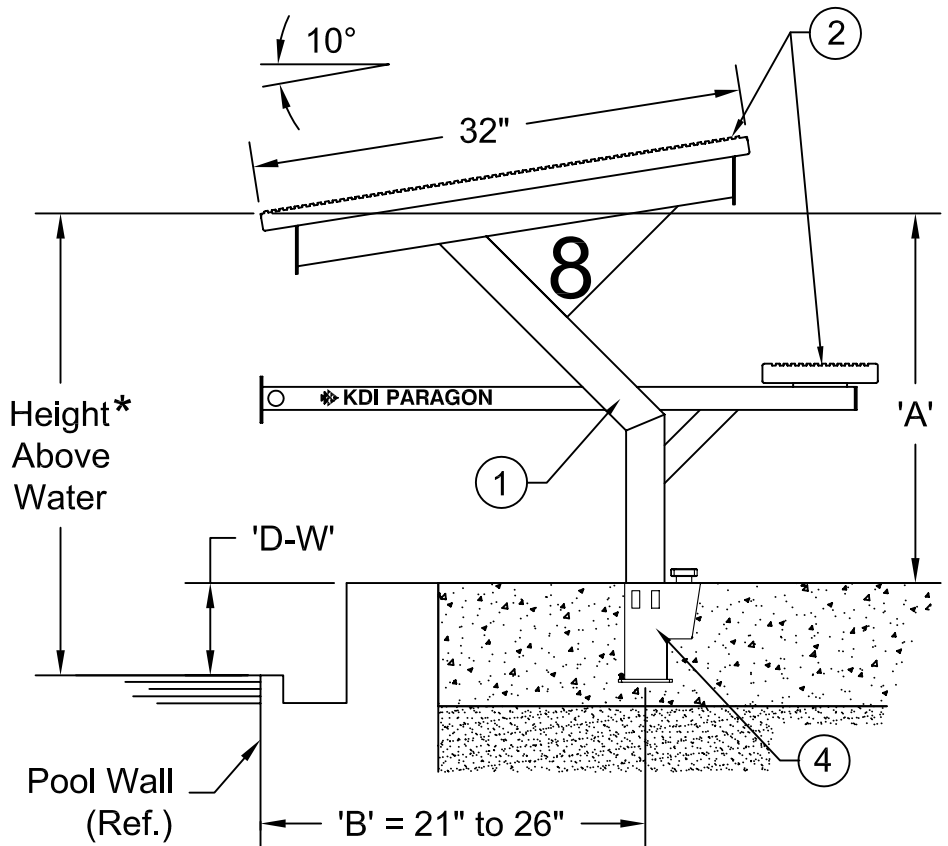


PLAN VIEW



Water Line
(Ref.)

FRONT VIEW



Height*
Above
Water

Pool Wall
(Ref.)

SIDE VIEW

The data represents the latest knowledge available to us at time of presentation. However, Paragon Aquatics and others involved in gathering and presenting this drawing assume no liability for its use.

© 2009 Paragon Aquatics



**PARAGON
AQUATICS**

Pentair Water
Commercial Pool & Aquatics

1351 Route 55
LaGrangeville, New York
12540
Phone: 845-463-7200
Fax: 845-463-7291
www.paragonaquatics.com

Drawn by: RV Date: 6/2/09 Approved by: SF Date: 6/2/09

Sheet Title: Track Start Quickset Platform

Drawing Number: SS-SP10.60.7

Revision Letter: D

Sheet: 1 of 2

Track Start Quickset Starting Platform

Specifications

- ① The Track Start Quickset starting platform shall have an elevated platform top supported by a sloping stainless steel pedestal. The platform pedestal shall be manufactured of 2 1/2" square x .125" wall thickness Type 304 stainless steel polished to a 320 grit finish. The backstroke bar and step supports shall be made of 1.50" square x .065" wall thickness Type 304 stainless steel polished to a 320 grit finish. The backstroke bar and step supports shall be fully welded to the pedestal.
- ② The platform top (24" wide x 32" deep) and intermediate step (8" x 12") shall be constructed of UV inhibited high density polypropylene. They shall have a dual non-skid, cross-grooved, sand textured finish surface. The top shall be permanently positioned at a 10° tilt towards the pool.
- ③ A backstroke bar with rubber hand grips shall be located in a range consistent with all ruling bodies. The backstroke bar shall be 1.00" O.D. x .065" wall thickness Type 304 stainless steel.
- ④ The platform shall be anchored in the Quickset Dual Wedge Anchor Socket, ID #23302, and shall be removable without the use of tools.

General

The stainless steel frame shall be electro-chemically passivated on all worked areas for maximum corrosion resistance. All hardware shall be 18-8 stainless steel. Custom designs and modifications are available upon request.

Selector Chart

		Identification #	
'A'	'B'	Complete w/ Anchor	Less Anchor
30"	**	24700	24700-A
29 1/2"	**	24701	24701-A
29"	**	24702	24702-A
28 1/2"	**	24703	24703-A
28"	**	24704	24704-A
27 1/2"	**	24705	24705-A
27"	**	24706	24706-A
26 1/2"	**	24707	24707-A
26"	**	24708	24708-A
25 1/2"	**	24709	24709-A
25"	**	24710	24710-A
24 1/2"	**	24711	24711-A
24"	**	24712	24712-A
23 1/2"	**	24713	24713-A

		Identification #	
'A'	'B'	Complete w/ Anchor	Less Anchor
23"	**	24714	24714-A
22 1/2"	**	24715	24715-A
22"	**	24716	24716-A
21 1/2"	**	24717	24717-A
21"	**	24718	24718-A
20 1/2"	**	24719	24719-A
20"	**	24720	24720-A
19 1/2"	**	24721	24721-A
19"	**	24722	24722-A
18 1/2"	**	24723	24723-A
18"	**	24724	24724-A
17 1/2"	**	24725	24725-A
17"	**	24726	24726-A

** - "B" dimension can vary between 21" and 26" in 1" increments. Dimension must be specified at the time of order.

Sizing Information (See drawing on reverse side)

- 1- "A" dimension shall be the vertical dimension from the top of the anchor socket at deck level to the top front edge of the platform top.
 - 2- "B" dimension shall be the horizontal dimension from the pool wall to the center of the anchor socket.
 - 3- "D-W" dimension shall be the vertical dimension from water level to the top of the anchor socket at deck level.
- *- See specification sheet SS-SP10.50 for important information regarding platform sizing requirements and how to order.

Accessories

ID Number	Description
23302	Quickset anchor socket
23990C	Color upgrade (per unit) for sand finish top
23991	Custom Logo Upgrade for Platform Tops
23992	Powder coat upgrade for platform frame
23967	Safety cover for platforms with 24" x 32" tops



WARNING : Starting platforms are to be used only by trained competitive swimmers. Only shallow racing dives should be executed. Impact with the pool bottom can cause serious injury. Please refer to applicable codes and regulations for your specific installation.

The data represents the latest knowledge available to us at time of presentation. However, Paragon Aquatics and others involved in gathering and presenting this drawing assume no liability for its use.



**PARAGON
AQUATICS**
Pentair Water
Commercial Pool & Aquatics

1351 Route 55
LaGrangeville, New York
12540
Phone: 845-463-7200
Fax: 845-463-7291
www.paragonaquatics.com

Drawn by: RV	Date: 6/2/09	Approved by: SF	Date: 6/2/09
Sheet Title: Track Start Quickset Platform			
Drawing Number: SS-SP10.60.7	Revision Letter: D	Sheet: 2 of 2	