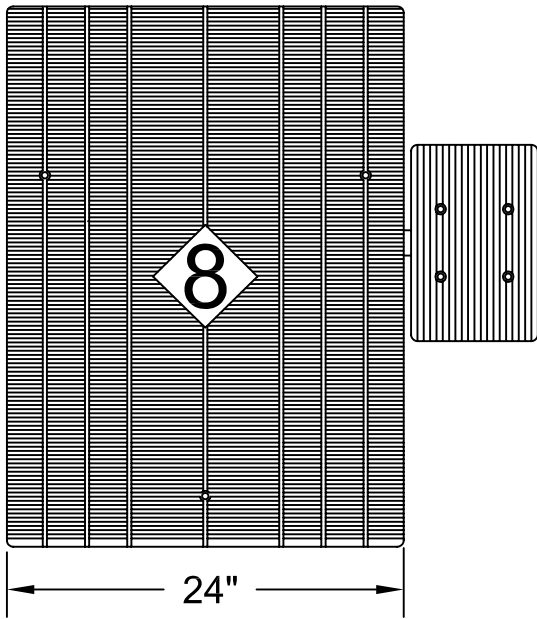
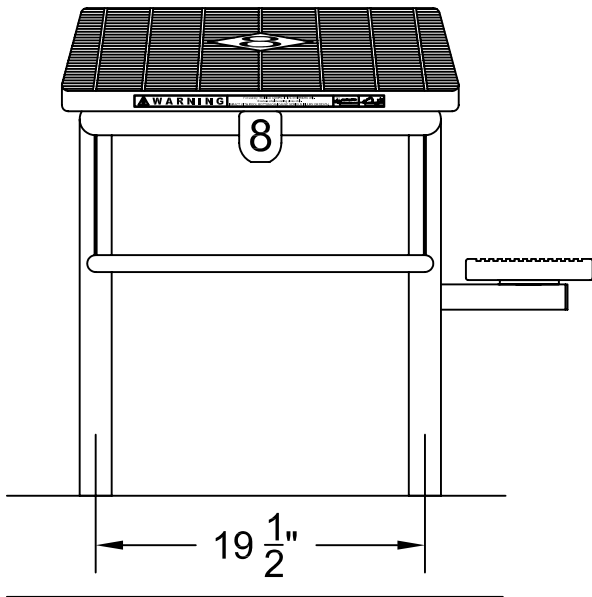


Track Start Side Step Platform (A Less Than 24 1/2", B=18")

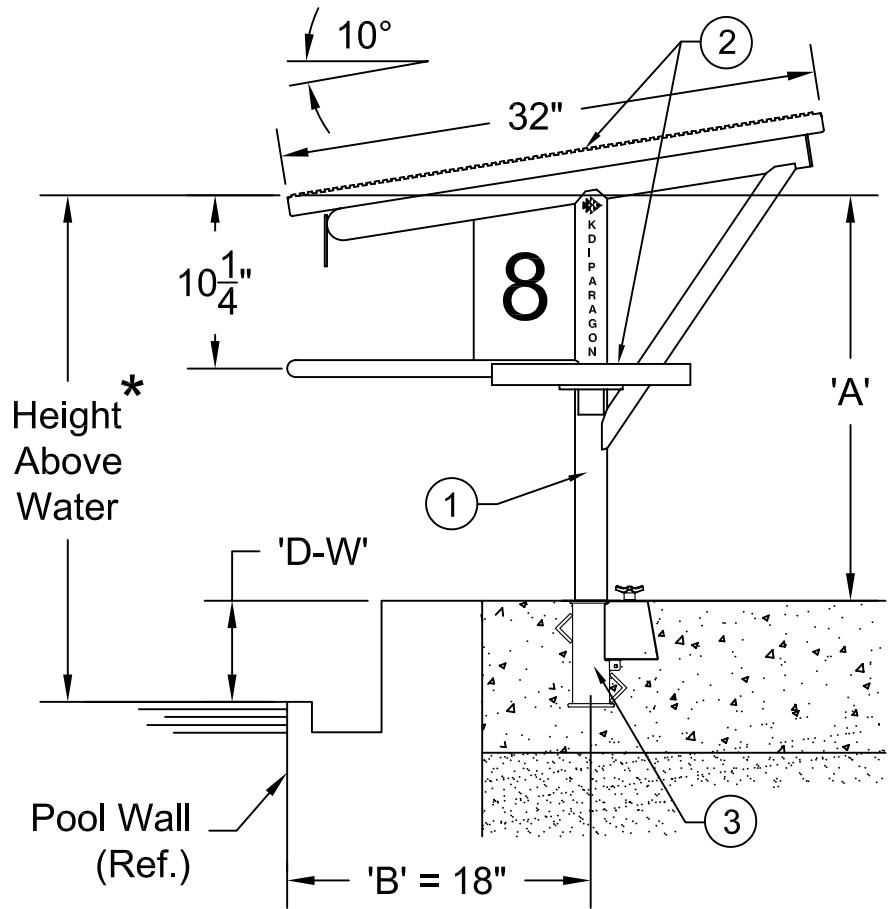


PLAN VIEW



Water Line
(Ref.)

FRONT VIEW



Height
Above
Water

Pool Wall
(Ref.)

SIDE VIEW

The data represents the latest knowledge available to us at time of presentation. However, Paragon Aquatics and others involved in gathering and presenting this drawing assume no liability for its use.

© 2010 Paragon Aquatics



**PARAGON
AQUATICS**

Pentair Water
Commercial Pool & Aquatics

1351 Route 55
LaGrangeville, New York
12540
Phone: 845-463-7200
Fax: 845-463-7291
www.paragonaquatics.com

Drawn by: JMM Date: 3/8/10 Approved by: RV Date: 3/8/10

Sheet Title: Track Start Side Step Platform

Drawing Number: SS-SP10.60.3 Revision Letter: D Sheet: 1 of 2

Track Start Side Step Platform (A Less Than 24 1/2", B=18")

Specifications

- ① The Track Start Side Step starting platform shall have an elevated platform top supported by a sloping stainless steel frame. The platform frame shall be manufactured of 1.90" diameter x .109" wall thickness Type 304 stainless steel polished to a 320 grit finish. The platform posts shall be reinforced with a welded 1.66" diameter x .140" wall thickness Type 304 stainless steel insert. The backstroke bar shall be made of 1" diameter x .065" wall thickness Type 304 stainless steel polished to a 320 grit finish, and located in a range consistent with all ruling bodies. The backstroke bar and step support shall be fully welded to the pedestal.
- ② The platform top (24" wide x 32" deep) and intermediate step (8" x 12") shall be constructed of UV inhibited high density polypropylene. They shall have a dual non-skid cross-grooved with a sand textured finish surface. The top shall be permanently positioned at a 10° tilt towards the pool.
- ③ The platform shall be anchored to the patented taper-lock 6" Dual Wedge Competitor anchor socket, ID #23103DW, and shall be removeable without the use of tools.

General

The stainless steel frame shall be electro-chemically passivated on all worked areas for maximum corrosion resistance. All hardware shall be 18-8 stainless steel. Custom designs and modifications are available upon request.

Selector Chart

Identification #			
'A'	'B'	Complete w/ Anchor	Less Anchor
24"	18"	24515	24515-A
23 1/2"	18"	24516	24516-A
23"	18"	24517	24517-A
22 1/2"	18"	24518	24518-A
22"	18"	24519	24519-A
21 1/2"	18"	24520	24520-A
21"	18"	24521	24521-A
20 1/2"	18"	24522	24522-A
20"	18"	24523	24523-A
19 1/2"	18"	24524	24524-A
19"	18"	24525	24525-A
18 1/2"	18"	24526	24526-A
18"	18"	24527	24527-A
17 1/2"	18"	24528	24528-A
17"	18"	24529	24529-A

Sizing Information (See drawing on reverse side)

- 1- "A" dimension shall be the vertical dimension from the top of the anchor socket at deck level to the top front edge of the platform top.
 - 2- "B" dimension shall be the horizontal dimension from the pool wall to the center of the anchor socket.
 - 3- "D-W" dimension shall be the vertical dimension from water level to the top of the anchor socket at deck level.
- *- See specification sheet SS-SP10.50 for important information regarding platform sizing requirements and how to order.

Accessories

ID Number	Description
23102DW	6" Dual Wedge Competitor anchor socket, individual
23103DW	6" Dual Wedge Competitor anchor socket assembly
23104	Setting jig for competitor anchor assembly
23990C	Color upgrade (per unit) for sand finish top
23991	Custom Logo Upgrade
23960	Safety cover for platforms with 20" x 24" tops



WARNING : Starting platforms are to be used only by trained competitive swimmers. Only shallow racing dives should be executed. Impact with the pool bottom can cause serious injury. Please refer to applicable codes and regulations for your specific installation.

The data represents the latest knowledge available to us at time of presentation. However, Paragon Aquatics and others involved in gathering and presenting this drawing assume no liability for its use.



PARAGON AQUATICS
Pentair Water
Commercial Pool & Aquatics

1351 Route 55
LaGrangeville, New York
12540
Phone: 845-463-7200
Fax: 845-463-7291
www.paragonaquatics.com

Drawn by: JMM	Date: 3/8/10	Approved by: RV	Date: 3/8/10
Sheet Title: Track Start Side Step Platform			
Drawing Number: SS-SP10.60.3	Revision Letter: D	Sheet: 2 of 2	