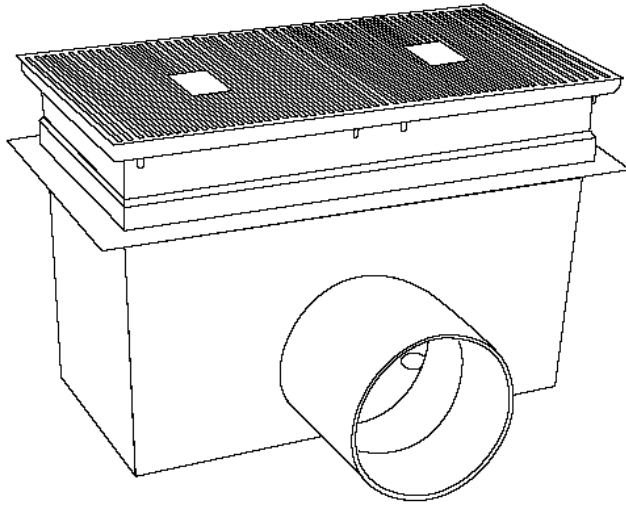


FIBERGLASS SUMPS

18X36 • 18X54 • 18X72



18" X 36" Shown

The fiberglass sump is fabricated using 8oz. of fiberglass mat, marine quality resin and colored gel coat. The gel coat is only applied to the inside of the sump. The wall thickness is approximately .19" ± .01". 2" FRP water-stop glassed onto sump.

FEATURES

- For single un-blockable drains
- Wall or Floor installation
- APSP-16 2.3.1 compliant
- Connections can either be threaded for 8" and smaller, flanged, or couplings.
- Plumbing connections are configured and customized to your piping schematics.
- Grating available in white
- 10 Year Warranty

SPECIFICATIONS (18" X 36" FIBERGLASS SUMPS)

Sizes		18" x 36" x 15" (F2)	18" x 36" x 24" (F2)	18" x 36" x 24" (F2)	18" x 36" x 28" (F2)	18" x 36" x 33" (F2)
Flow Rate (GPM)	Floor	2,080	2,080	2,080	2,401 * (10" Side A)	2,080
	Wall	1496	1496	N/A	N/A	N/A
Open Area (in ²)		343.44	343.44	343.44	343.44	343.44

SPECIFICATIONS (18" X 54" FIBERGLASS SUMPS)

Sizes		18" x 54" x 24" (F2)	18" x 54" x 28" (F2)	18" x 54" x 34" (F2)	18" x 54" x 38" (F2)
Flow Rate (GPM)	Floor	3,120	3,120	3,120	3,120
	Wall	N/A	N/A	N/A	N/A
Open Area (in ²)		514.66	514.66	514.66	514.66

SPECIFICATIONS (18" X 72" FIBERGLASS SUMPS)

Sizes		18" x 72" x 28" (F2)	18" x 72" x 33" (F2)	18" x 72" x 42" (F2)
Flow Rate (GPM)	Floor	4,260	4,260	4,260
	Wall	N/A	N/A	N/A
Open Area (in ²)		686.88	686.88	686.88

Lawson Aquatics offers standard-size fiberglass main drain sumps with un-blockable PVC grating for areas 18" x 36" and larger. Each 18" x 18" grate offers a 54% open area with the highest flow rate (SuperFlow™).

