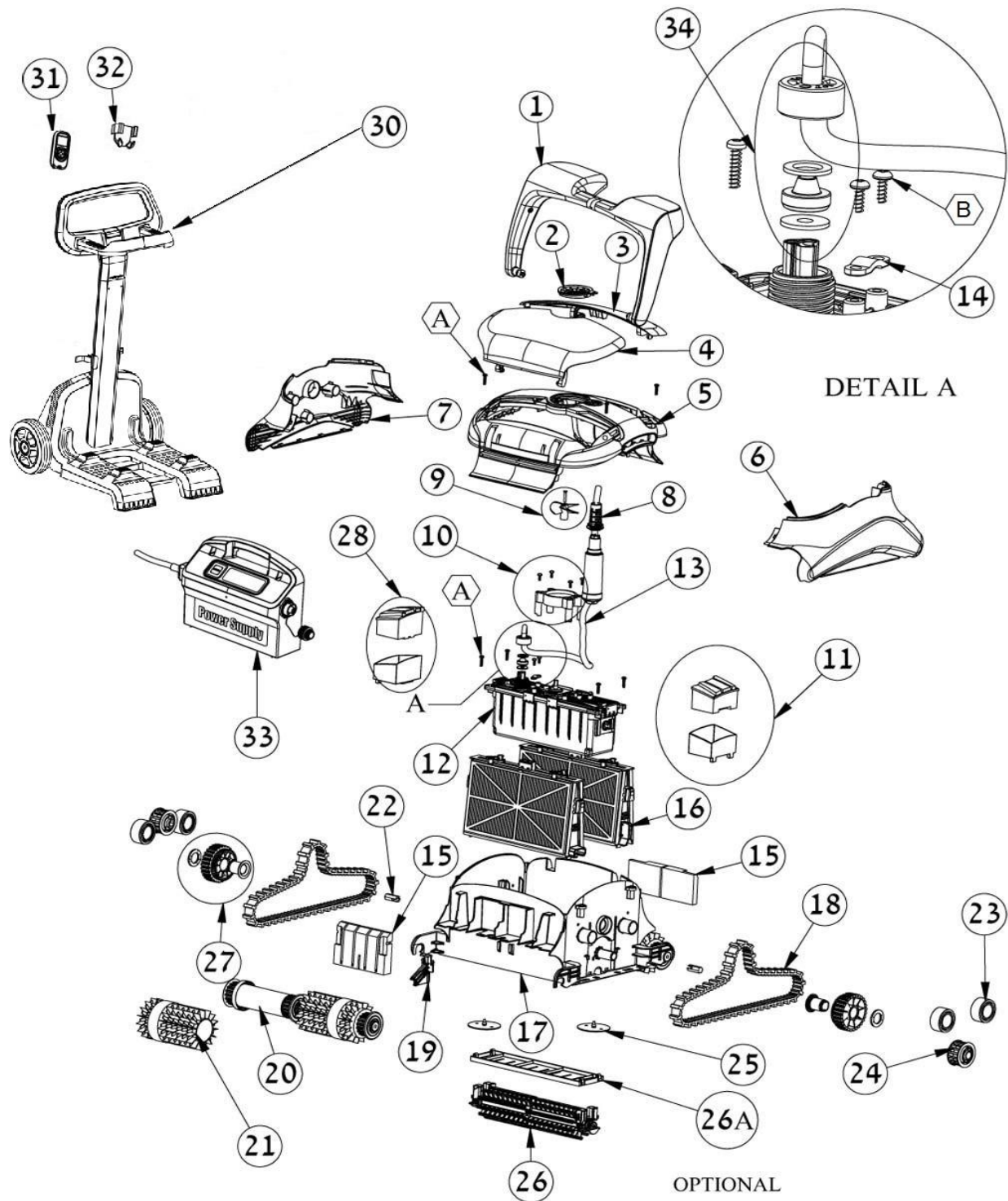


C3 MAIN DRAWING



CAT. No 8170145 NOVEMBER 2009

MAIN DRAWING

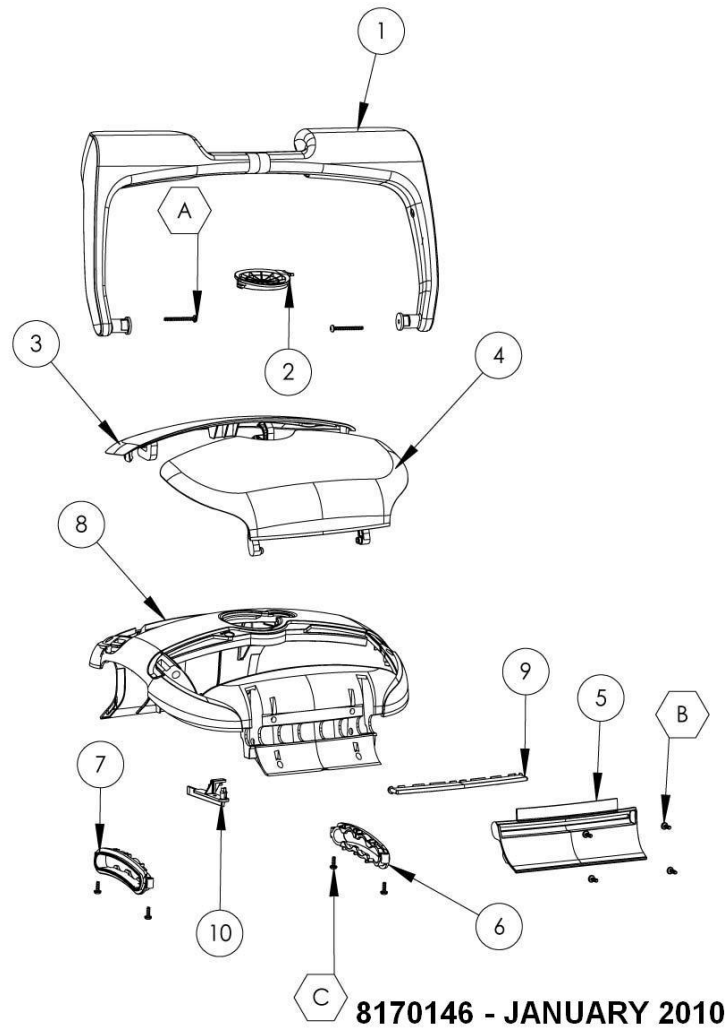
Number	Part Number	Part Description
01	99957048-ASSY	HANDLE ASSY COMFORT/DELUXE ACTIV
02	99807053	IMPELLER COVER FOR MTC8 BLACK
03	99807072	REAR COVER MTC8 L. GREY
04	99807062	FRONT COVER MTC8 L. GREY
05	99952091-ASSY	OUTER CASING COMFORT ACTIVE/C3
05(05)	99807602	FRONT SHELL MTC8 GREY
05(06)	99807082	LEFT AXIS RAIL FOR HANDLE GREY
05(07)	99807092	RIGHT AXIS RAIL FOR HANDLE GREY
05(08)	99807103	MAIN SHELL MTC8 BLACK
05(09)	9980764	FRONT GRILL
05(10)	9980704	IMPELLER TUBE LOCKER
05(A)	3305040-A	SCREW KA50X40
05(B)	3379450-A	SCREW KA40X12 WN1412 A2
05(C)	3379720-A	SCREW KA50X20 WN1412
06	99807122	SIDE PANEL R MTC8 GREY
07	99807132	SIDE PANEL L MTC8 GREY
08	9980880	SUPPORT FOR CABLE 2010
09	9995266	BLACK IMPELLER+SCREW DC
10	9991044-ASSY	IMPELLER PROTECTOR ASSY
11	9991074-ASSY	FLOAT+HOUSE R FOR MU PULIT KIT
12	8882042	MOTOR UNIT CATALOG KIT C3/C4
12(01)	9995266	BLACK IMPELLER+SCREW DC
12(02)	9991044-ASSY	IMPELLER PROTECTOR ASSY
12(03)	9991273	RETROFIT FOR CABLE CON. 2010
12(04)	5588902	IMPELLER MOTOR HOLDER 2
12(05)	9982332	CABLE HOLDER DB
12(06)	9980726	MBU COVER LOCKER LENGTH SIDE
12(07)	9980727	MBU COVER LOCKER SHORT SIDE
12(08)	9991217	MBU COVER DIAG/DYN 2010 ASSY
12(09)	5890051LF	CABLE MBU 2010
12(10)	3864202	SEAL 202X4 MBU 2010
12(11)	3862503	SEAL ORING 25X3 I.M
12(12)	5583323	SEAL ORING 32X3
12(13)	9991218	IMPELLER MOTOR 2010 ASSY
12(14)	9995009	ELECTRONIC CARD DYN 2010 ASSY
12(15)	5588900	DRIVE MOTOR HOLDER
12(16)	4850010	DESSICATING BAG
12(17)	3862119	SEAL ORING 2-119 D.M
12(18)	3861902	SEAL ORING 19X2 D.M
12(19)	9991219	DRIVE MOTOR 2010 ASSY
12(20)	9980723	MBU BOX DYN 2010
12(A)	3379440-A	SCREW KA50X12 A2 WN1412
12(B)	3379440-A	SCREW KA50X12 A2 WN1412
12(C)	3389208-A	SCREW ZP WN1412 KA30X08

*CALL = Contact Maytronics office for availability

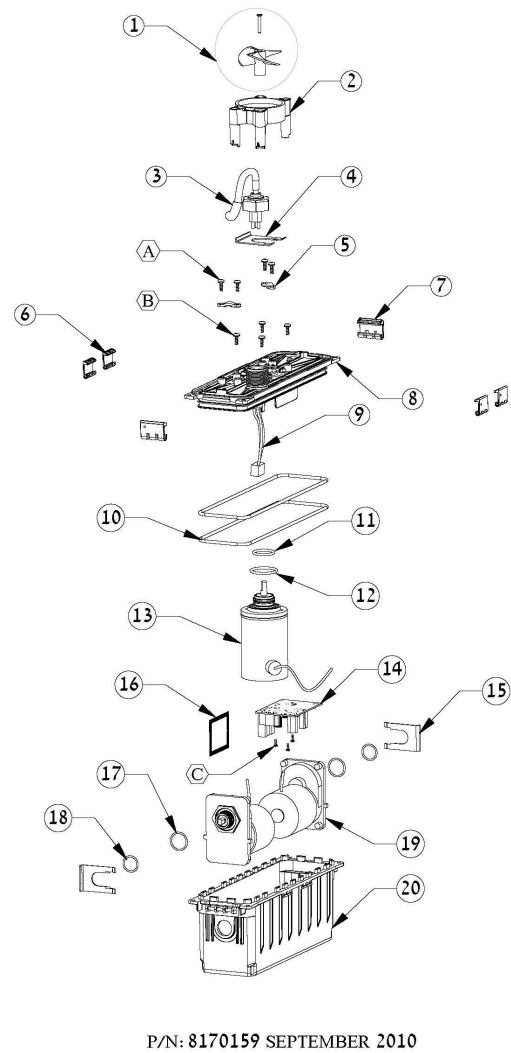


C3 MAIN DRAWING

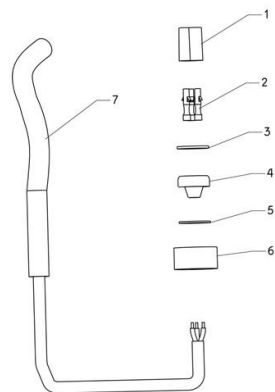
#05 OUTER CASING COMFORT ACTIVE/C3



#12 MOTOR UNIT CATALOG KIT C3/C4

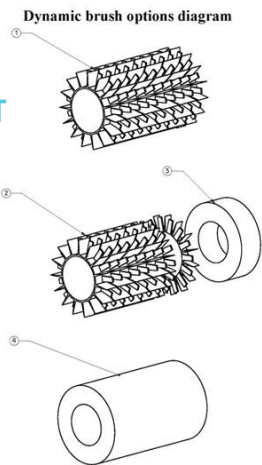


#12(03) RETROFIT FOR CABLE CON. 2010



#20 WHEEL ASSY FOR TIM.TRACK-DYN DB

#21 BRUSHES- DYN GREY -CATALOG KIT



MAIN DRAWING

Number	Part Number	Part Description
12(MU1)	9995377-ASSY	MU DYN COMM 4/5 NEW
12(MU2)	9995377-EX	MU DYN COMM 4/5 EX
13	8883954	CABLE ASSY DYN DIY 18M'-CATALOG
13(01)	9995873-DIY	CABLE AND SWV DIY 18M DYN M4/5
13(02)	9995791-DIY	CABLE SWV DYN 1.2M' DIY
14	9982332	CABLE HOLDER DB
15	9991075-ASSY	FLOAT FRONT+REAR FOR PULIT KIT
16	8883993	FILTERS DOL.2010 - CATALOG KIT
16(02)	9991431-ASSY	DISPOSABLE FILTER - KIT OF 10
16(03)	9980731	CARTRIDGE LOCKING HOOK
16(04)	9980753	FILTER KIT LOCKING ADAPTOR
16(05)	9991433-ASSY	SPRING FILTER KIT OF 4
16(06)	9980733	FILTER AND CARTRIDGE HOLDER
16(07)	9991432-ASSY	ULTRA FINE CART. FILTER KIT OF 4
16(08)	9980891	NON RETURN FLAP 2010
17	9980702	BODY FOR PULIT 2010
18	9985006	TRACK - TIMING TRACK GREY
19	9980741	BRUSH SUPPORTER 2010
20	99955956-ASSY	WHEEL ASSY FOR TIM.TRACK-DYN DB
20(01)	9982275	CORK FOR INNER WHEEL TUBE D.BASI
20(02)	3884073-ASSY	DIAG. BASIC -WHEEL BEARING
20(03)	3885000	DIAG.BASIC STOPPER RING
20(04)	6101912	PVC TUBE FOR DYN.TT WHEEL ASSY
20(05)	6101914	DIAG. BASIC - INNER WHEEL TUBE
21	8881007	BRUSHES- DYN GREY -CATALOG KIT
21(01)	6101635	BRUSH PVC DYN GREY
21(02)	6101656	BRUSH PVC DYN GREY CB
21(03)	6101611	BRUSH WB RING FOR CB
21(04)	9995560-ASSY	BRUSH WB - DYN - PAIR
21(05)	99955340-ASSY	WHEEL ASSY DYN BASIC CB GREY
22	3865005	D TYPE ADAPTOR
23	3884997	GUIDE WHEEL
24	3883645	PULLEY FOR FLAT SHAFT - TT
25	9991046-ASSY	DIAPHRAGMA 2010 - PAIR
26	9995541-ASSY	ACTIVE BRUSH DYN ASSY
26(01)	9980737	BEARING HOLDER
26(02)	9980759	POLIGON SPINDEL
26(04)	3379440-A	SCREW KA50X12 A2 WN1412
26(05)	5585177	BEARING 6001 BNL
26(06)	9980756	BRUSH TUBE CONNECTOR DYN
26(07)	9980736	ACTIVE BRUSH
26(08)	9980742	SPUR GEAR 16
26(09)	6101922	PVC SUPPORT FOR ACTIVE BRUSH
26A	9980700	BOTTOM COVER 2010

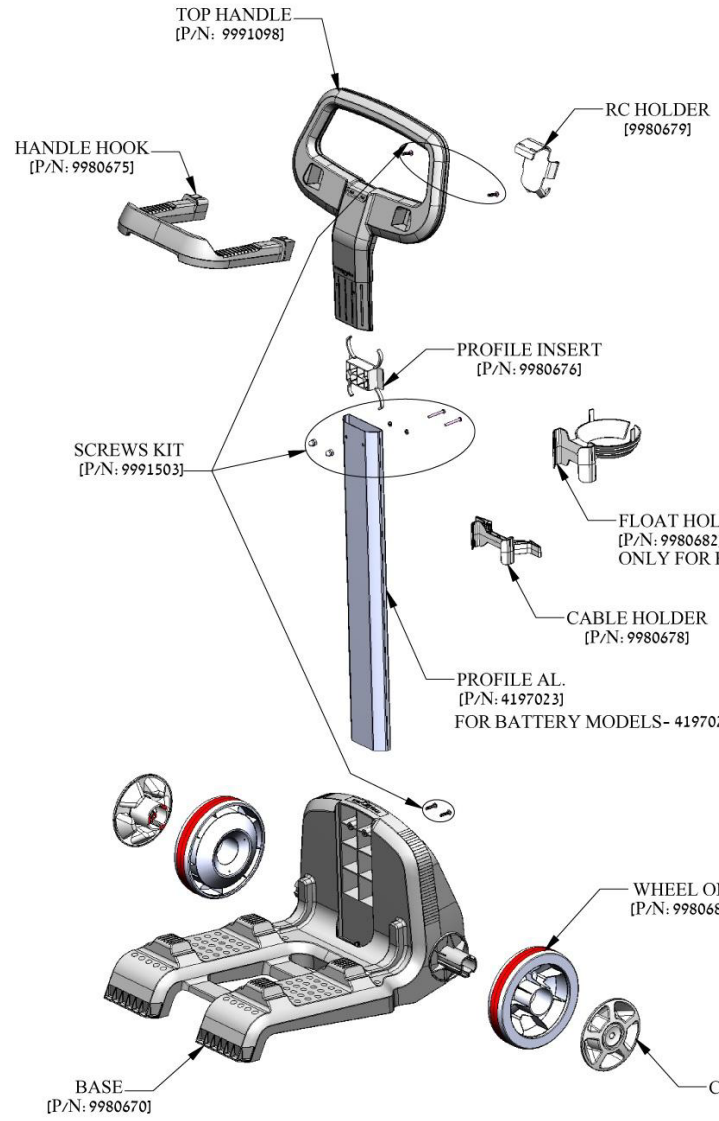
*CALL = Contact Maytronics office for availability



MAIN DRAWING

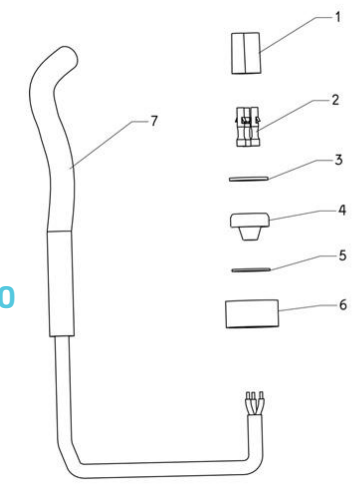
Number	Part Number	Part Description
27	9991043-ASSY	GEAR FOR ACTIVE BRUSH ASSY
28	9991073-ASSY	FLOAT+HOUSE L FOR MU PULIT KIT
30	9996098-ASSY	CADDY 2011
30(01)	9991098	TOP HANDLE
30(02)	9980675	HANDLE HOOK
30(03)	9980679	RC HOLDER
30(04)	9980676	PROFILE INSERT
30(05)	9991503-ASSY	NEW CADDY SCREW KIT
30(06)	9980678	CABLE HOLDER
30(07-1)	4197024	PROFILE AL. FOR LIBERTY CADDY
30(07)	4197023	PROFILE AL. CADDY
30(08)	9980681	WHEEL FOR CADDY OM
30(09)	9980672	WHEEL COVER NEW CADDY
30(10)	9980670	BASE CADDY
31	99954227-ASSY	RCU BASIC 2010
32	9980679	RC HOLDER
33	9995671-US-ASSY	PS DYN RESET USA 2010
33(01)	5020012	AMPH. SOCKET COVER FOR P.S
33(02)	5020011	AMPH. SOCKET FOR P.S
33(03)	5898412LF	CABLE SWITCHING POWER SUP. - USA
33(A)	3379212	SCREW KA30X12 WN1412 A2
34	9991273	RETROFIT FOR CABLE CON. 2010
34(01)	9985048	CABLE CONN.THREE PIN
34(02)	1811404	CABLE CONNECTOR
34(03)	9985027	PLASTIC WASHER 7MM X 2MM
34(04)	3861002	RK RING FOR CABLE CONN.
34(05)	9980025	WASHER-INSIDE DIA. 13MM
34(06)	9980728	NUT FOR MBU TERMINAL 2010
A	3379720-A	SCREW KA50X20 WN1412
B	3379440-A	SCREW KA50X12 A2 WN1412

#30 CADDY 2011

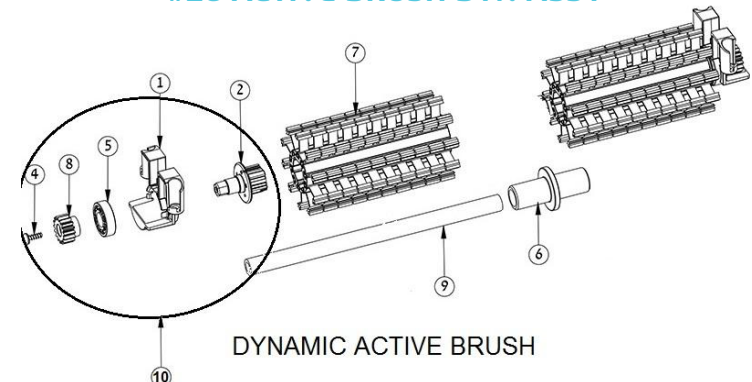


P/N: 9996098-ASSY
 SEPTEMBER 2011

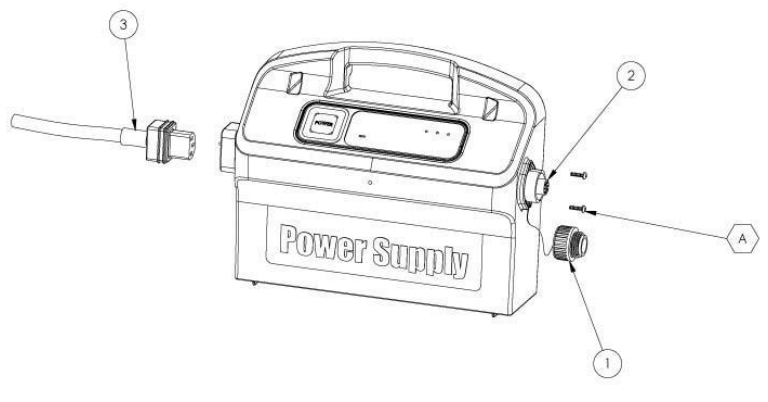
#34 RETROFIT FOR CABLE CON. 2010



#26 ACTIVE BRUSH DYN ASSY



#33 PS DYN RESET USA 2010



*CALL = Contact Maytronics office for availability