

COMM. 12 Robotic Pool Cleaner

User Manual



EN

COMM. 12 Robotic Pool Cleaner

User Manual

Table of Contents

1. IMPORTANT SAFETY INSTRUCTIONS.....	2
2. FCC STATEMENT.....	3
3. SPECIFICATIONS AND WATER CONDITIONS.....	3
4. Package CONTENTS.....	3
5. ASSEMBLY INSTRUCTIONS.....	4
6. DAILY OPERATION.....	5
7. REMOTE CONTROL UNIT.....	6
8. CLEANING THE FILTER.....	7

1. IMPORTANT SAFETY INSTRUCTIONS

READ AND FOLLOW ALL INSTRUCTIONS.

Please adhere strictly to the following WARNINGS:



Take the Robotic Pool Cleaner out of the pool before allowing people to enter the pool.



When examining the Robotic Pool Cleaner, disconnect the main power supply.



Ensure that children do not attempt to access Robotic Pool Cleaner while it is operating.



Keep the Robotic Pool Cleaner out of the reach of children or persons with reduced physical, sensory or mental capabilities, or lack of experience and knowledge, unless they have been given supervision or instruction.



Only an original power cable must be used, at all times. Replaced by a Robotic Pool Cleaner certified technician, in case of need to avoid hazard.



The unit must be connected only to a supply circuit that is protected by a ground-fault circuit interrupter (GFCI). This GFCI should be tested on a routine basis. To test the GFCI, push the test button. The GFCI should interrupt power. Push the reset button. Power should be restored. If the GFCI fails to operate in this manner, the GFCI is defective. If the GFCI interrupts power to the power unit without the test button being pushed, a ground current may be flowing, indicating the possibility of an electric shock. Do not use the power unit. Disconnect the power unit and contact the manufacturer for assistance.



To reduce the risk of electric shock replace damaged cord immediately. Do not use extension cord to connect unit to electric supply; provide a properly located outlet.

Please ensure that the following PRECAUTIONS are implemented:



Only a trained operator should operate the Robotic Pool Cleaner.



Operator should keep hands away from driving belt mechanism.



Position the Caddy and power supply at least 3.5m/12ft from pool's edge – during operation.



For continued protection against possible electric shock, the power supply unit should be placed at least 11cm / 4" above ground.



When lifting the Robotic Pool Cleaner, take care to prevent back injury.



Do not bury cord – locate cord to minimize abuse from lawn mowers, hedge trimmers and other equipment.



This Robot is for use with permanently installed pools. Do not use with storable pools. A permanently installed pool is constructed in or on the ground or in building such that it cannot be readily disassembled for storage and reassembled to its original integrity.

SAVE THESE INSTRUCTIONS

2. FCC STATEMENT

NOTE: This equipment has been tested and found to comply with the limits for a Class B digital device, pursuant to part 15 of the FCC Rules. These limits are designed to provide reasonable protection against harmful interference in a residential installation. This equipment generates uses and can radiate radio frequency energy and, if not installed and used in accordance with the instructions, may cause harmful interference to radio communications. However, there is no guarantee that interference will not occur in a particular installation. If this equipment does cause harmful interference to radio or television reception, which can be determined by turning the equipment off and on, the user is encouraged to try to correct the interference by one or more of the following measures:

- Reorient or relocate the receiving antenna.
- Increase the separation between the equipment and receiver.
- Connect the equipment into an outlet on a circuit different from that to which the receiver is connected.
- Consult the dealer or an experienced radio/TV technician for help.

Changes or modifications to this equipment not expressly approved by the party responsible for compliance (Maytronics Ltd.) could void the user's authority to operate the equipment.

3. SPECIFICATIONS AND WATER CONDITIONS

- Motor protection: IP 68
- Minimum depth: 0.40 m / 1.3 ft
- Maximum depth: 7 m / 22.96 ft

Power supply

- Input: 100-250 AC Volts
- 50-60 Hertz
- Output: <30 VDC
- IP 54

Use the Pool Cleaner in the following water conditions only:

- Chlorine: Max 4 ppm
- pH: 7.0 - 7.8
- Temperature: 6°-35°C / 43°-95°F
- NaCl: Maximum = 5000 ppm

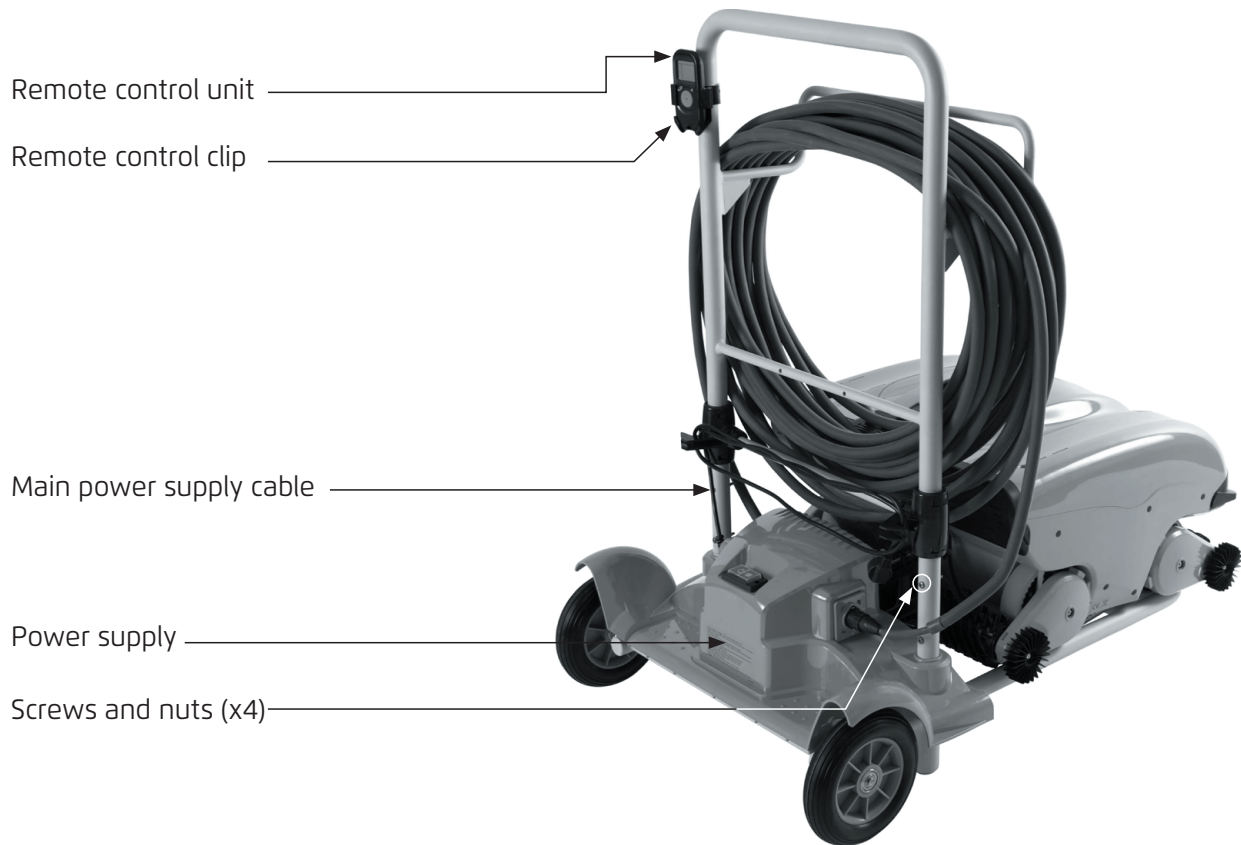
4. PACKAGE CONTENTS

Carefully remove all the items from the shipping box and check them against the packing list. You should have:

- Documentation and accessories
- Un-assembled Caddy for storing and carrying the Robotic Pool Cleaner
- Robotic Pool Cleaner and floating cable
- Power supply unit assembled to the Caddy base
- Remote control unit and remote control clip

5. ASSEMBLY INSTRUCTIONS

1. Attach the Caddy handle to the Caddy base and fasten with the four screws and four nuts provided.
2. Connect the floating cable to the power supply.
3. Connect the remote control clip to the Caddy's handle.



6. DAILY OPERATION

To operate the Robotic Pool Cleaner:

1. Place the robot in the pool. Press the ON button on the power supply. The cleaning session will begin according to the chosen cycle time.
2. At the end of the cycle time press the OFF button on the power supply.
3. Holding the floating cable, gently pull the robot upwards and towards the Caddy. As it reaches the side of the pool, pull the cable gently until the handle emerges. Grasp the handle (not the cable), and pull the robot out of the water.

You can use the remote control unit to drive the Robotic Pool Cleaner to the pool side where the Caddy is located, then gently pull the cable as described above.

Make sure the floating cable is not tangled, so it can be rolled up easily and placed on the Caddy's handle.

4. Clean the filter as needed. Before the next operating cycle, you should also clean the robot body, brushes and driving belt area, and remove foreign objects like rubber bands and hair, etc.
5. Once a week clean the impeller area:

⚠ Make sure the power supply is switched off and unplugged before service.

- Remove the four screws securing the cover of the impellers using a No. 2 Philips manual screwdriver.
- Open and remove the cover of the impellers.
- Remove foreign objects from the impellers.
- Close the cover and re-secure the four screws.

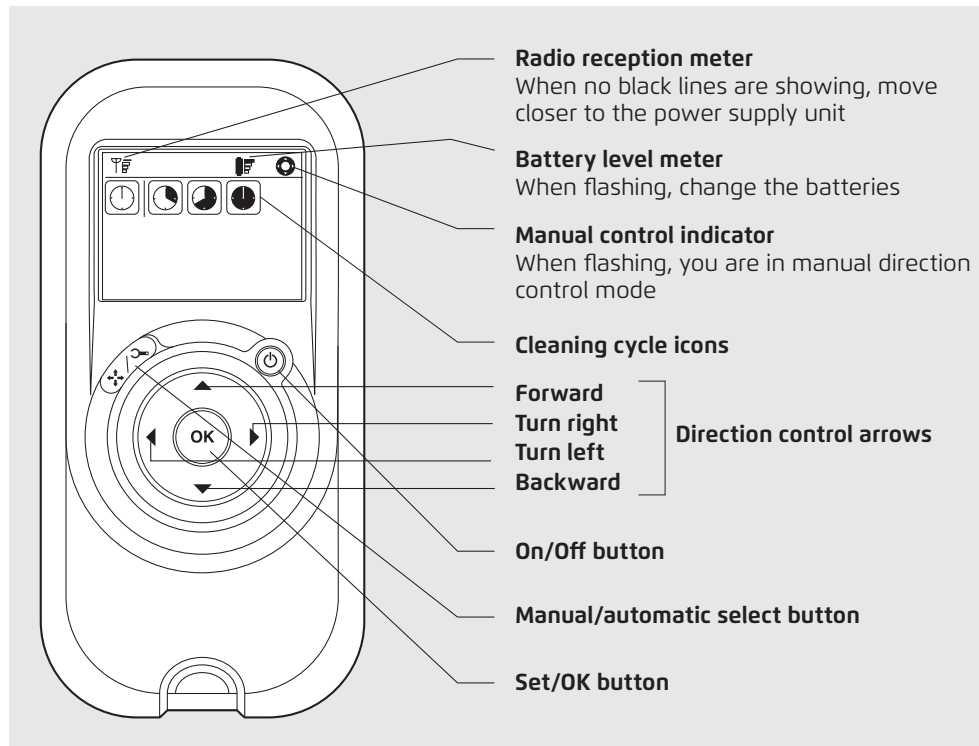
7. REMOTE CONTROL UNIT

The remote control unit enables you to manually control the Robotic Pool Cleaner, to clean those hard-to-reach spots or places that were skipped during the standard cleaning cycle.

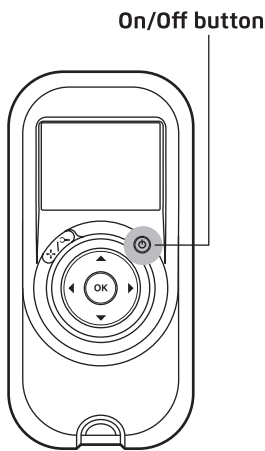
The remote control unit offers two operation modes: automatic mode and manual direction control mode.

In automatic mode, the cleaning cycle length can be changed.

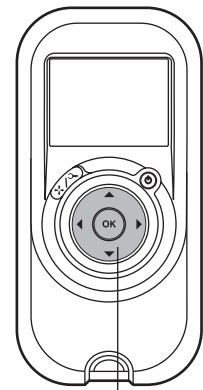
In manual direction mode, the robot's motion can be controlled manually.



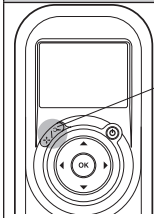
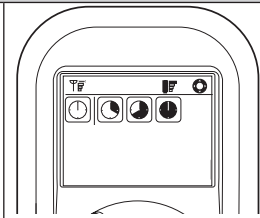
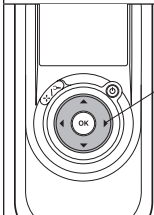
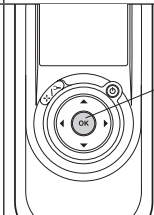
Manual direction control mode





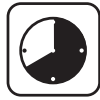

1. Press the On/Off button once. This puts the remote control in manual direction mode. Use the direction control arrows (see right) to control the movement of the robot around the pool.
2. Press the Forward or Backward arrows to maneuver the Robotic Pool Cleaner forwards or backwards at a faster speed.
3. Press the Forward or Backward arrows again to maneuver the Robotic Pool Cleaner forwards or backwards at the standard cleaning speed.
4. To stop the Robotic Pool Cleaner, press the arrow showing the opposite direction to the direction in which the robot is currently moving.
5. When the robot is idle (standing still) and you press the Turn Left or Turn Right arrows, the robot will turn left or right by moving one belt forwards and the other backwards.
6. If you press the Turn Left or Turn Right arrows while the robot is driving forwards or backwards, the robot will turn left or right by turning one belt and stopping the other belt.



Direction control arrows

Exiting manual direction control mode and setting the automatic mode		
 <p>Manual/ Automatic Select Button</p>	<ol style="list-style-type: none"> 1. To exit the manual direction control mode, press the Manual/Automatic select button once only. 2. The digital screen will light up, and the cleaning cycle indicator can be changed. 	
 <p>Direction control arrows</p>	<ol style="list-style-type: none"> 1. To select the chosen cleaning cycle use the Turn Right or Turn Left arrows. When you reach the required function press the Set/OK button. 	 <p>Set/OK button</p>

Press the Manual/Automatic select button and then choose the desired parameters according to the following table:

 <p>Cleaning cycle indicator This determines the length of the cleaning cycle</p>	 <p>Fast 4-hour cycle</p>	 <p>Efficient (Default setting) 5-hour cycle</p>	 <p>Extra 6-hour cycle</p>
---	---	--	--

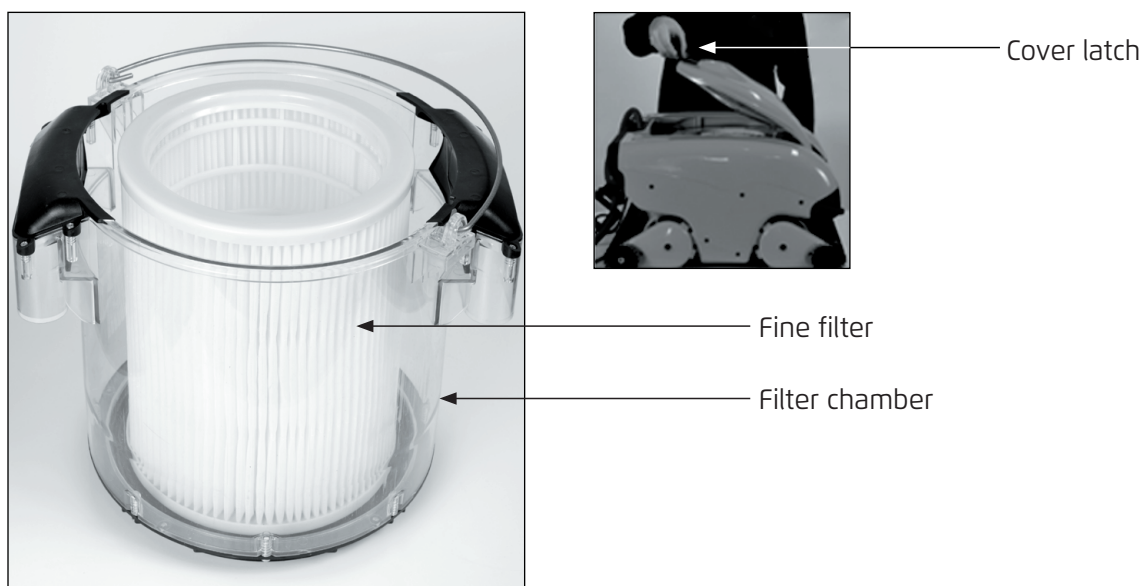
Note:

- After 2 minutes if no button is pressed, the remote control unit will shut down and the Robotic Pool Cleaner will continue to work in the previous settings.

8. CLEANING THE FILTER

Clean the Robotic Pool Cleaner filter after every cleaning cycle as follows:

1. Press the latch on the top of the Robotic Pool Cleaner to open the top cover.
2. Remove the filter chamber from the robot and separate its parts.
3. Wash the fine filter cartridge with water pressure from the inside out.
4. Return the fine filter to the filter chamber and put the chamber back in the Robotic Pool Cleaner.
5. The robot is ready for a new cleaning cycle.



COMM. 12 Robotic Pool Cleaner

