

ITEM NO.	DESCRIPTION	QTY.
1	LID, 1.0 PUMP SHELF	1
2	BASE, PCS 1	1
3	PLEXICLASS WINDOW 13" x 8-7/8" x 1/8"	1
4	NO. 6 X 1/2" FLAT HEAD SCREW	6
5	LID PROP, Ø1/2" X 19-3/8", FIBERGLASS	1
6	1/4"-20 X 3/4" SCREW, FLAT HEAD, SS	4
7	HINGE ROD, Ø1/4" X 13-1/2", ALUM	1
8	1/4" AXLE NUT (CAP NUT), ALUM.	2
9	1" FNPT SPIN WELD FITTING, PE, BLACK	2
10	1" MPT PLUG, PE, BLACK	2
11	2" FNPT SPIN WELD FITTING, PE, BLACK	2
12	2" MPT PLUG, PE, BLACK	2
13	ANGLE BRACKETS, ALUM, 1-1/2" X 1-1/2"	4
14	1/4" FLAT WASHER, SS	4
15	1/4"-20 X 5/8" PHILLIPS PAN HEAD, SS	4
16	1/4"-20 X 1" PHILLIPS ROUND HEAD, SS*	1
17	1/4" X 1" FENDER WASHER, ZINC	1
18	1/4" FNPT FLUSH SPIN WELD FITTING, PE, BLACK	1
19	1/4" NPT THREADED HEX SOCKET PLUG, HDPE, BLACK	1
20	MOLD IN GRAPHIC	1
21	PUMP MOUNTING PLATE, 11-1/2" X 10" X 1/2", PE	1
22	2" CAPLUG / GROMMET SUB-ASSY	1

*OPTIONAL SECURITY SCREW AND KIT AVAILABLE

WEATHER PROOF SEAL (SHIPPED LOOSE)
AVAILABLE FOR AN ADDITIONAL COST

PCS 1	PART NUMBERS		
	BLUE	NATURAL	YELLOW
	253-31187	253-31180	253-31194

- NOTES:**
- STANDARD COLOR: BLUE
 - APPROXIMATE WEIGHT: 18 LBS
 - MATERIAL: LLDPE 8440 SERIES W/ UV INHIBITOR

PROPRIETARY AND CONFIDENTIAL
THE INFORMATION CONTAINED IN THIS DRAWING IS THE SOLE PROPERTY OF PEABODY ENGINEERING. ANY REPRODUCTION IN PART OR AS A WHOLE WITHOUT THE WRITTEN PERMISSION OF PEABODY ENGINEERING IS PROHIBITED.

UNLESS OTHERWISE SPECIFIED:
DIMENSIONS ARE IN INCHES
TOLERANCES: ±1/4"
ANGULAR: ±.5°
ONE PLACE DECIMAL: ±.25
TWO PLACE DECIMAL: ±.125
THREE PLACE DECIMAL: ±.063

TANK MATERIAL: **LLDPE**

INNER TANK S/N:

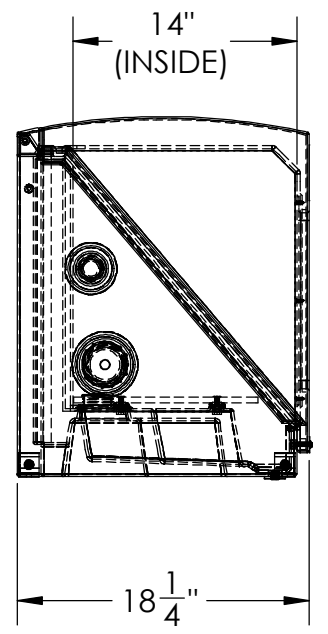
OUTER TANK S/N:

CUSTOMER PO#

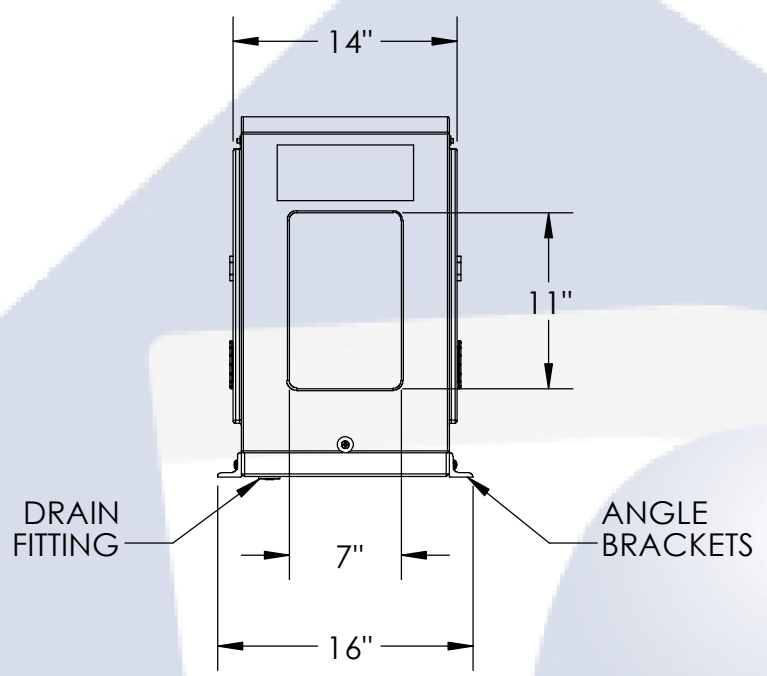
DO NOT SCALE DRAWING

NAME	DATE	PROJECT:	
MSM	10/30/14	1 PCS PUMP SHELF	
CHECKED		CUSTOMER: PEABODY STANDARD	
ENG APPR.		SITE/LOCATION: -	
MFG APPR.		DRAWING#: SEE TABLE	
Q.A.		SIZE: B	DESC.: PCS 1 STANDARD
		SCALE: 1:24	REV. A
		SHEET 1 OF 3	

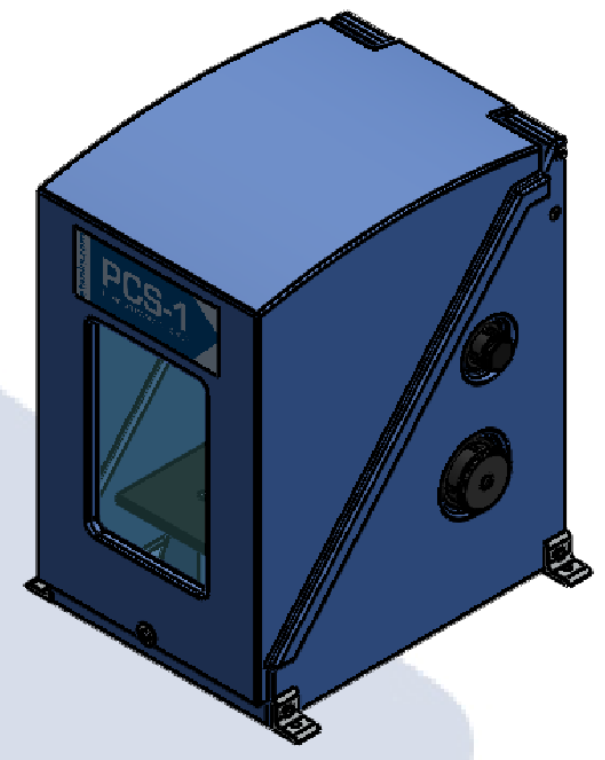
8 7 6 5 4 3 2 1



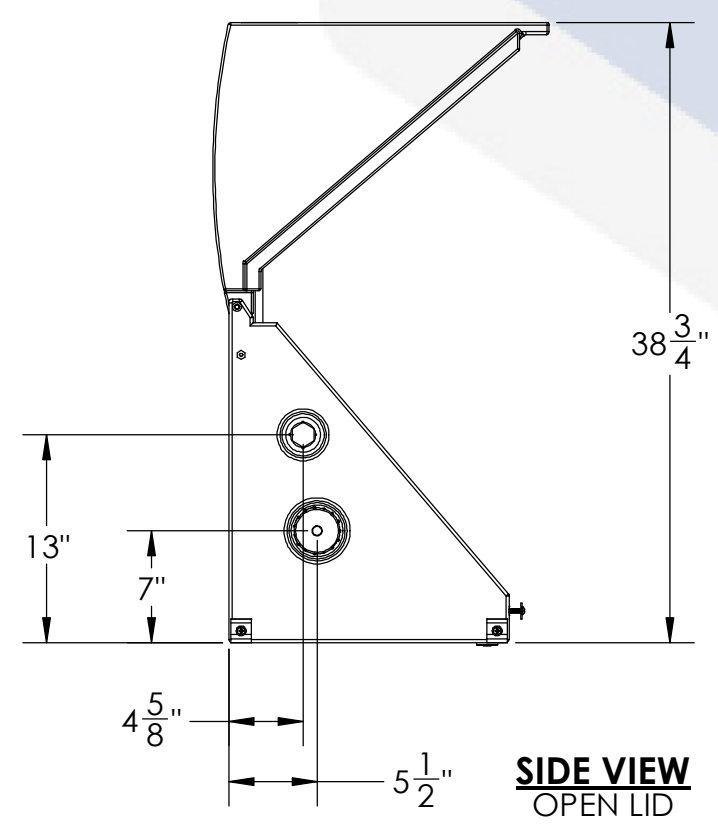
SIDE VIEW
CLOSED LID
HIDDEN LINES SHOWN



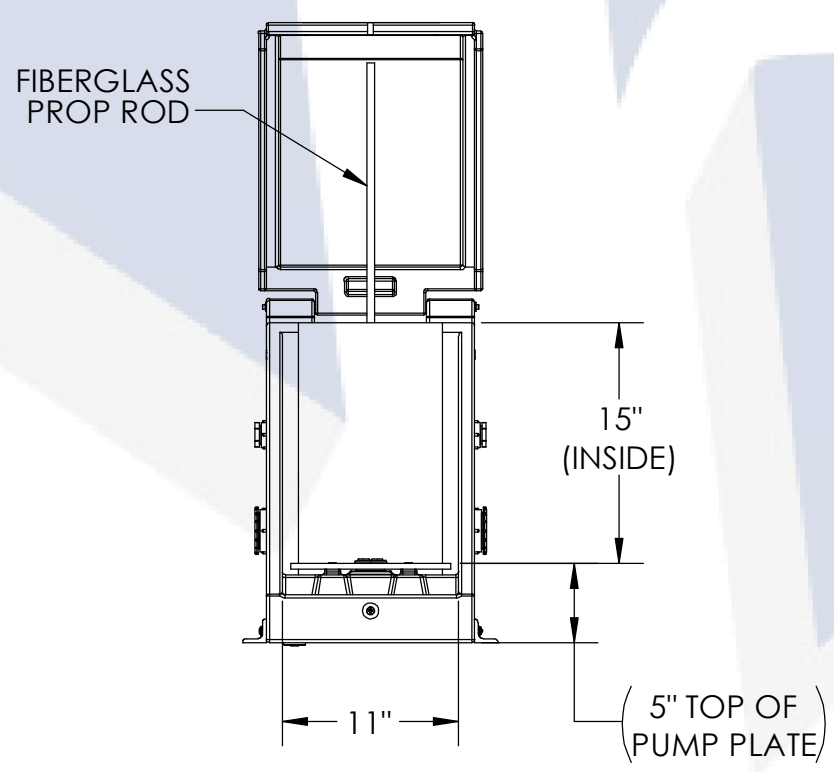
FRONT VIEW
CLOSED LID



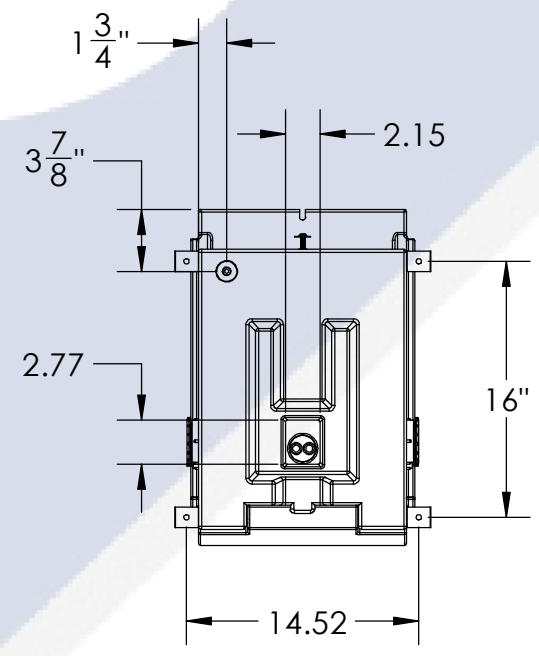
ISOMETRIC VIEW



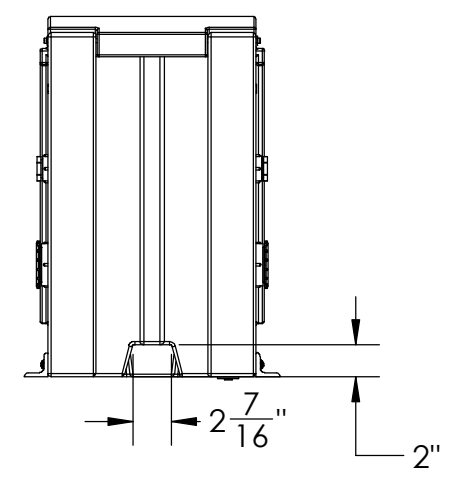
SIDE VIEW
OPEN LID



FRONT VIEW
OPEN LID



BOTTOM VIEW



BACK VIEW

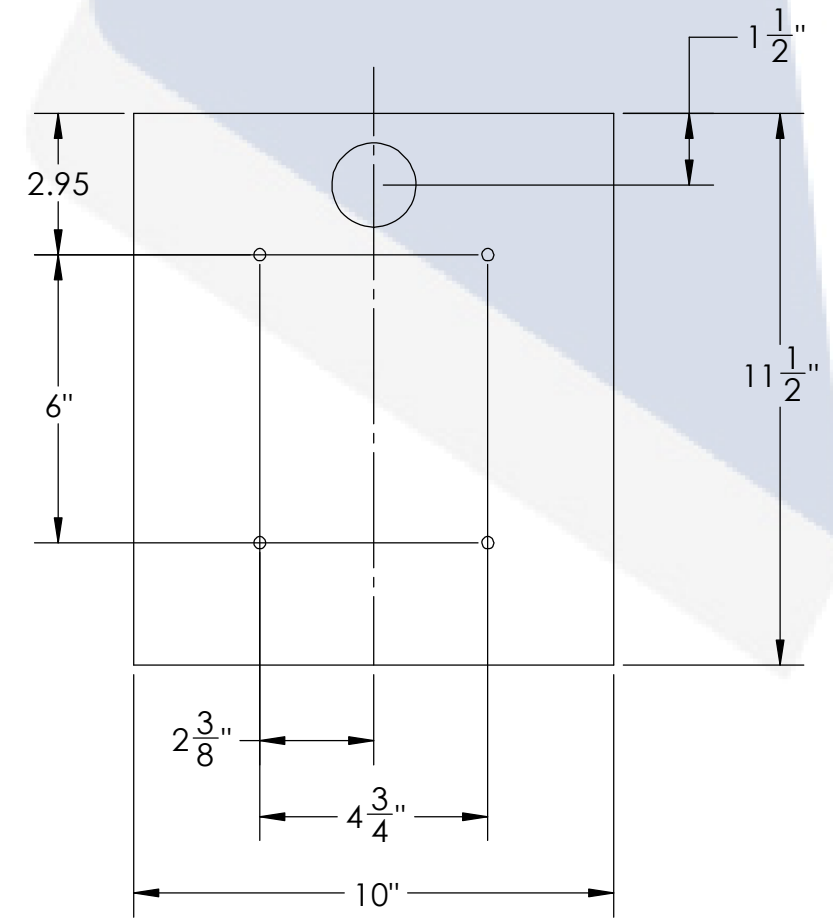
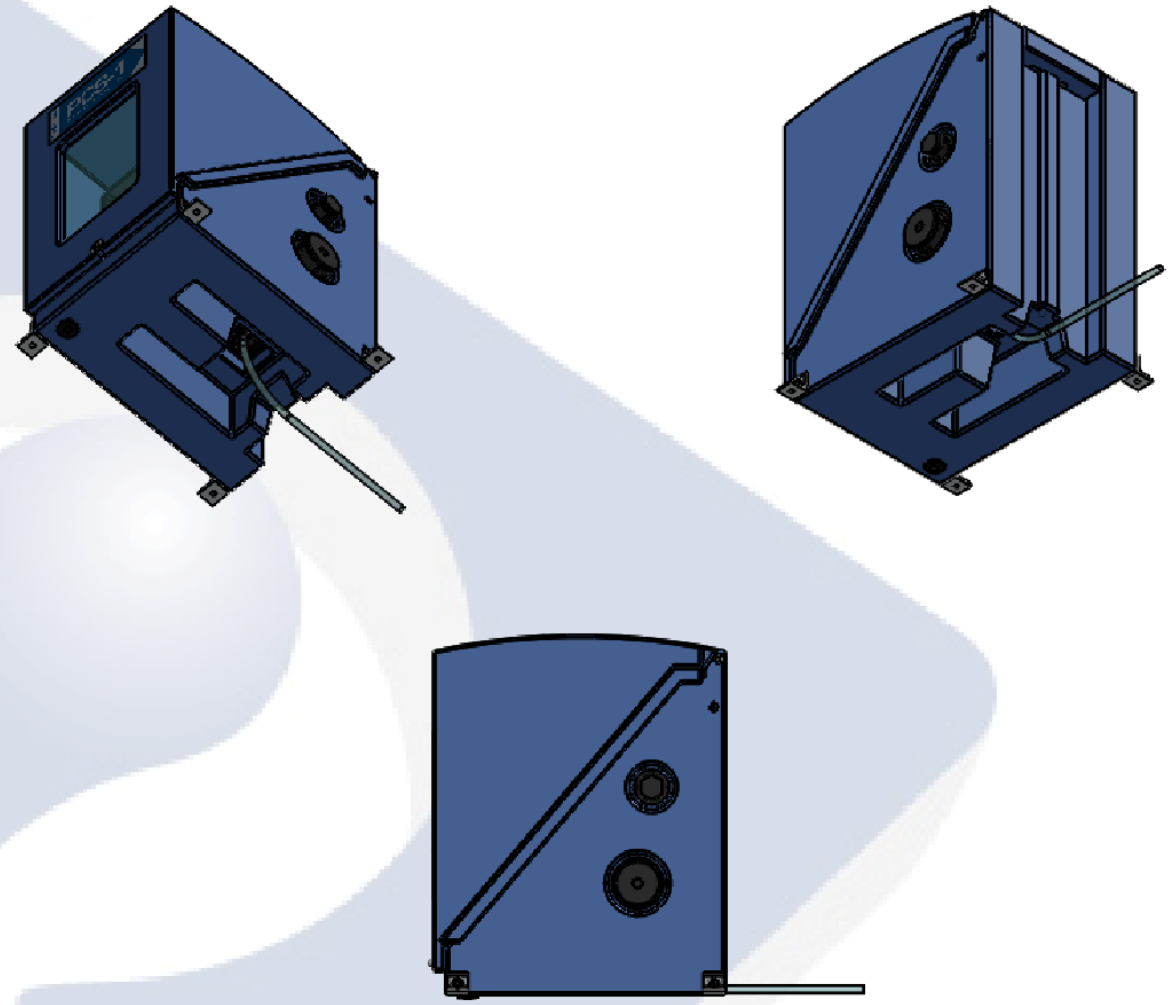
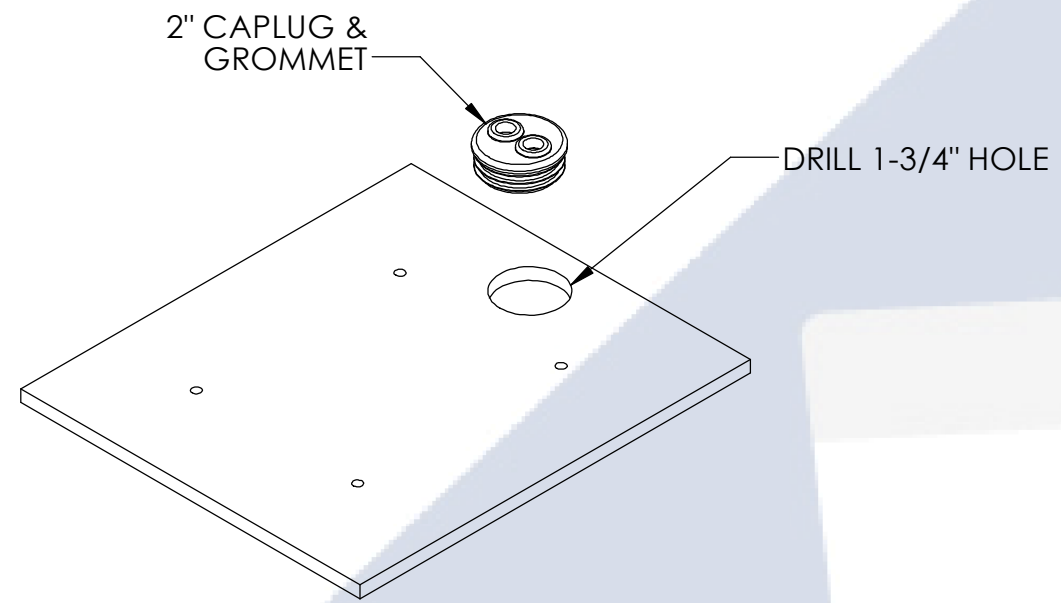


PROJECT: PCS 1.0 ASSEMBLY, REV A

SCALE: 1:24

SHEET 2 OF 3

8 7 6 5 4 3 2 1



BOTTOM DRAIN INSTRUCTIONS

- NAVIGATE PUMP TUBE THRU GROMMET AND EITHER STRAIGHT DOWN OR OUT BACK OPENING

NOTE:
GROMMET PREVENTS POSSIBLE LEAKS FROM EXITING BOTTOM DRAIN OPENING. MULTIPLE HOLES CAN BE DRILLED FOR VARIOUS LINES AS LONG AS THEY ARE LOCATED ABOVE THE DRAIN OPENING.

