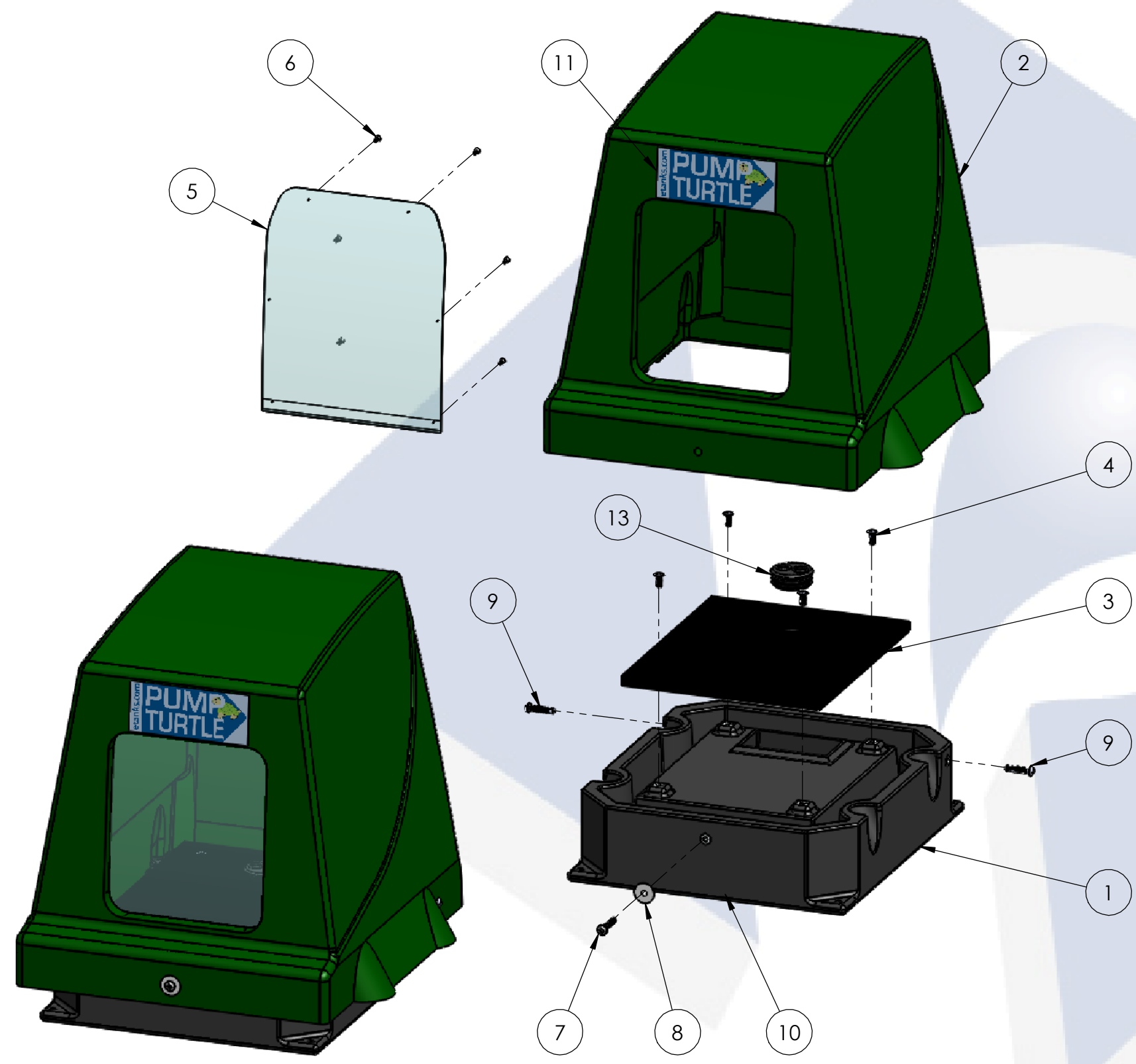


REVISIONS		
REV.	DESCRIPTION	DATE
A	PRODUCT RELEASE	12/16/2014



**TOP LEVEL ASSEMBLY**

ITEM NO.	DESCRIPTION	Default/QTY.
1	BASE, PT-1 PUMP SHELF	1
2	LID, PT-1 PUMP SHELF	1
3	10" X 12" X 1/2" PE PLATE, PUMP MOUNT PLATE	1
4	1/4"-20 X 3/4" SCREW, FLAT HEAD, SS	4
5	PLEXIGLASS WINDOW, 9" X 11"	1
6	NO. 6 X 1/2" FLAT HEAD SCREW	6
7	1/4" - 20 X 1-1/2" PHILLIPS PAN HEAD SCREW, SS*	1
8	1/4" WASHER, SS	1
9	1/4"-20 X 1-1/4" PHILLIPS ROUND HEAD, SS	2
10	1/4" FNPT FLUSH SPIN WELD FITTING, PE, BLACK	1
11	MOLD IN GRAPHIC, PT-1	1
12	1/4" - 20 THREADED INSERT, ALUM.	7
13	2" CAPLUG / GROMMET SUB-ASSY	1

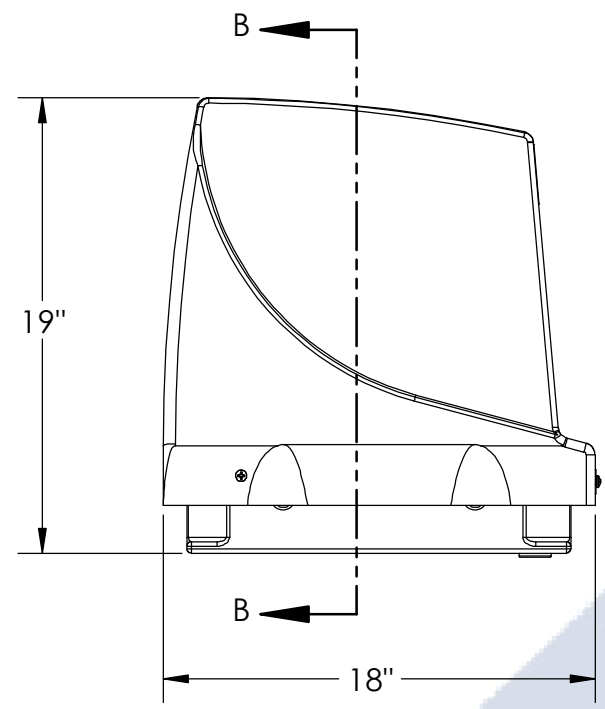
\*OPTIONAL SECURITY SCREW AND KIT AVAILABLE

- NOTES:**
- COLOR: BASE - GRAY, LID - GREEN
  - APPROXIMATE PART WEIGHT: 10 LBS
  - MATERIAL: LLDPE 8460 SERIES W/ UV INHIBITOR

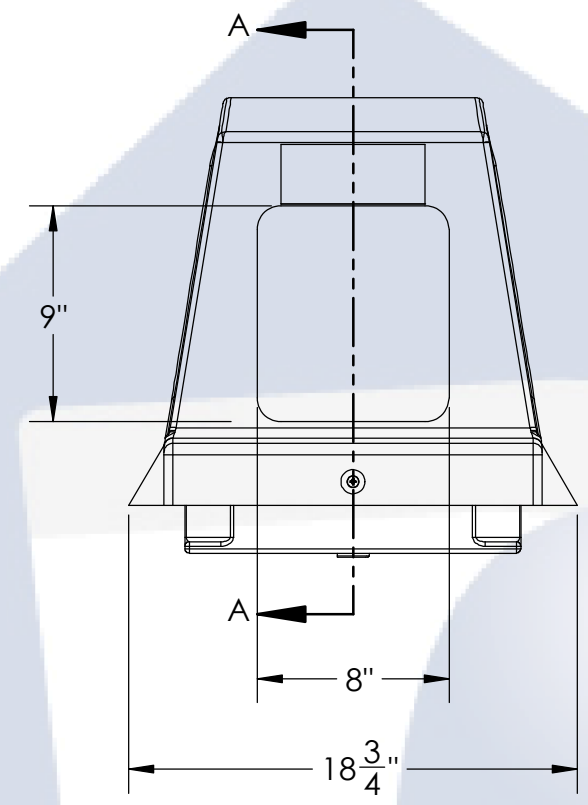
**PROPRIETARY AND CONFIDENTIAL**  
 THE INFORMATION CONTAINED IN THIS DRAWING IS THE SOLE PROPERTY OF PEABODY ENGINEERING. ANY REPRODUCTION IN PART OR AS A WHOLE WITHOUT THE WRITTEN PERMISSION OF PEABODY ENGINEERING IS PROHIBITED.

UNLESS OTHERWISE SPECIFIED:		NAME	DATE			
DIMENSIONS ARE IN INCHES TOLERANCES: ±1/4" ANGULAR: ±.5° ONE PLACE DECIMAL: ±.25 TWO PLACE DECIMAL: ±.125 THREE PLACE DECIMAL: ±.063		DRAWN	MSM 10/29/14			
TANK MATERIAL:	LLDPE	CHECKED		PROJECT:	PEABODY PT-1	
INNER TANK S/N:		ENG APPR.		CUSTOMER:	PEABODY STANDARD	
OUTER TANK S/N:		MFG APPR.		SITE/LOCATION:	-	
CUSTOMER PO#		Q.A.		DRAWING#:	253-31434	
DO NOT SCALE DRAWING	CALL FOR PART NUMBERS	<b>ALTERNATIVE VERSIONS</b> COLORS: NATURAL, BLUE, YELLOW OR BLACK		SIZE	DESC.	REV.
				<b>B</b>	PEABODY PUMP TURTLE SINGLE PUMP CONTAINMENT SHELF	<b>A</b>
				SCALE: 1:6		SHEET 1 OF 3

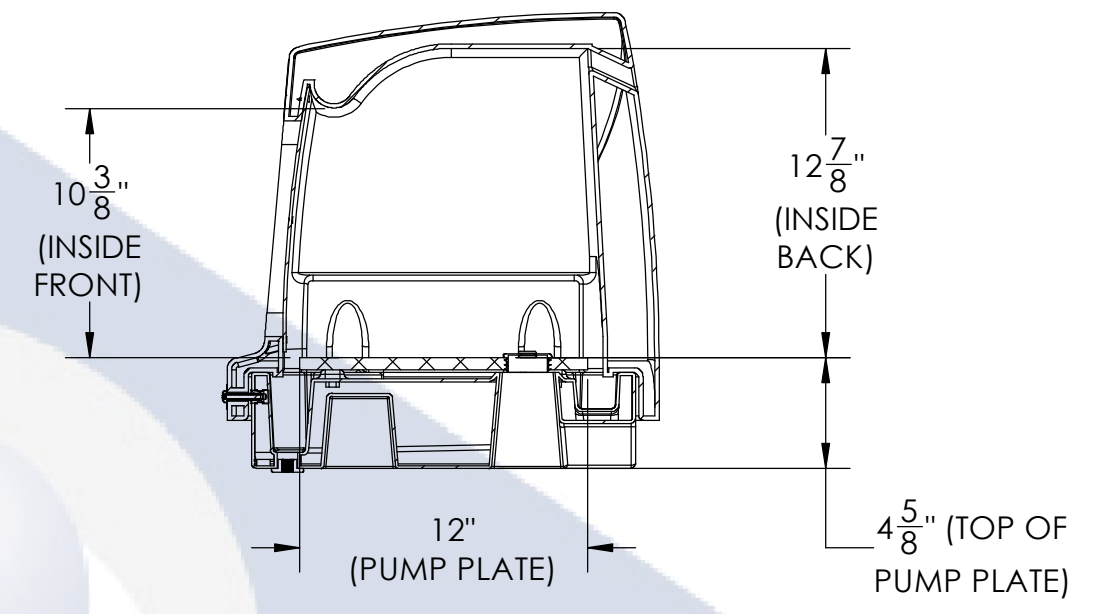
8 7 6 5 4 3 2 1



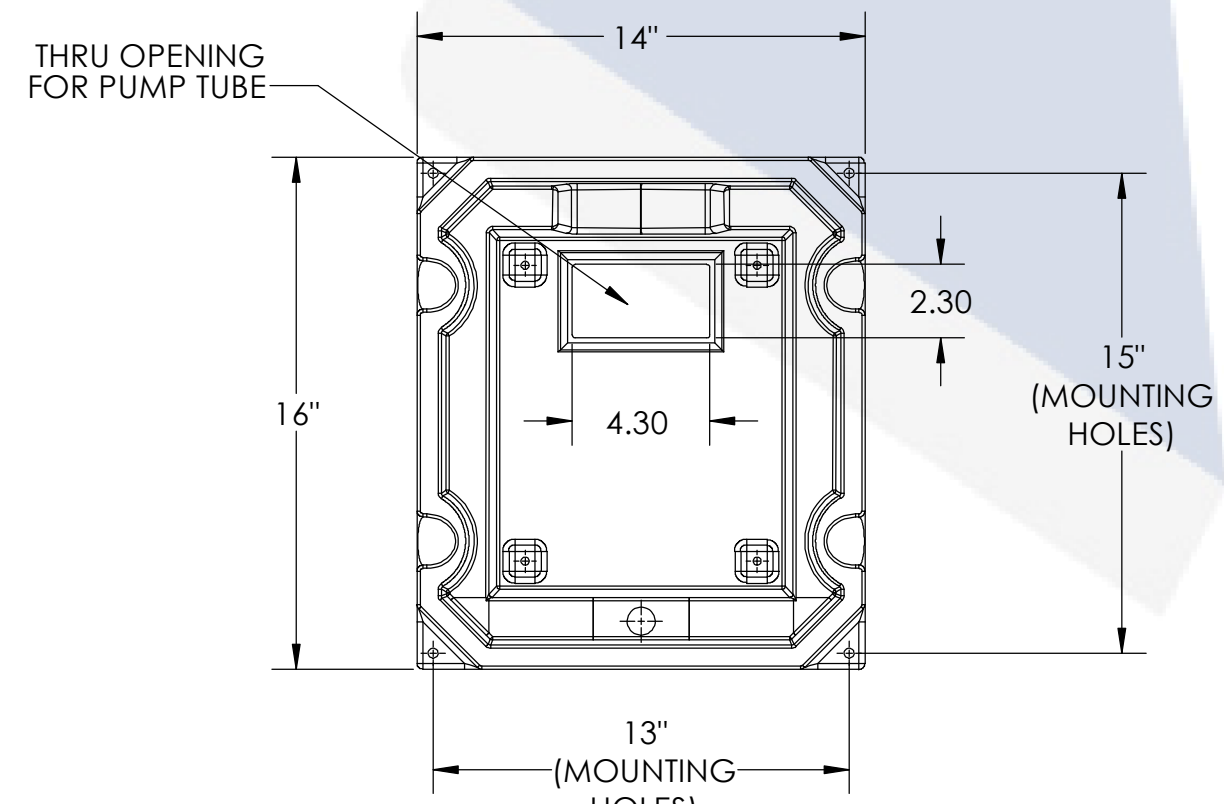
**SIDE VIEW**



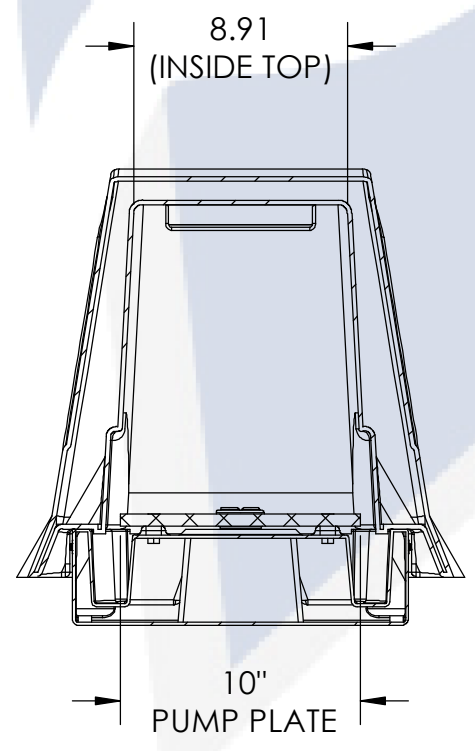
**FRONT VIEW**



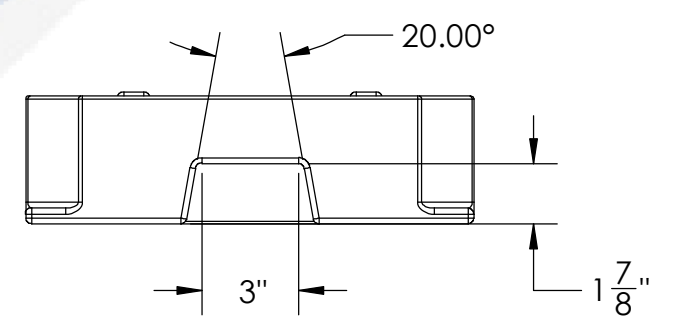
SECTION A-A  
SCALE 1 : 8



**TOP VIEW  
NO LID**



SECTION B-B  
SCALE 1 : 8



**BACK VIEW  
NO LID**

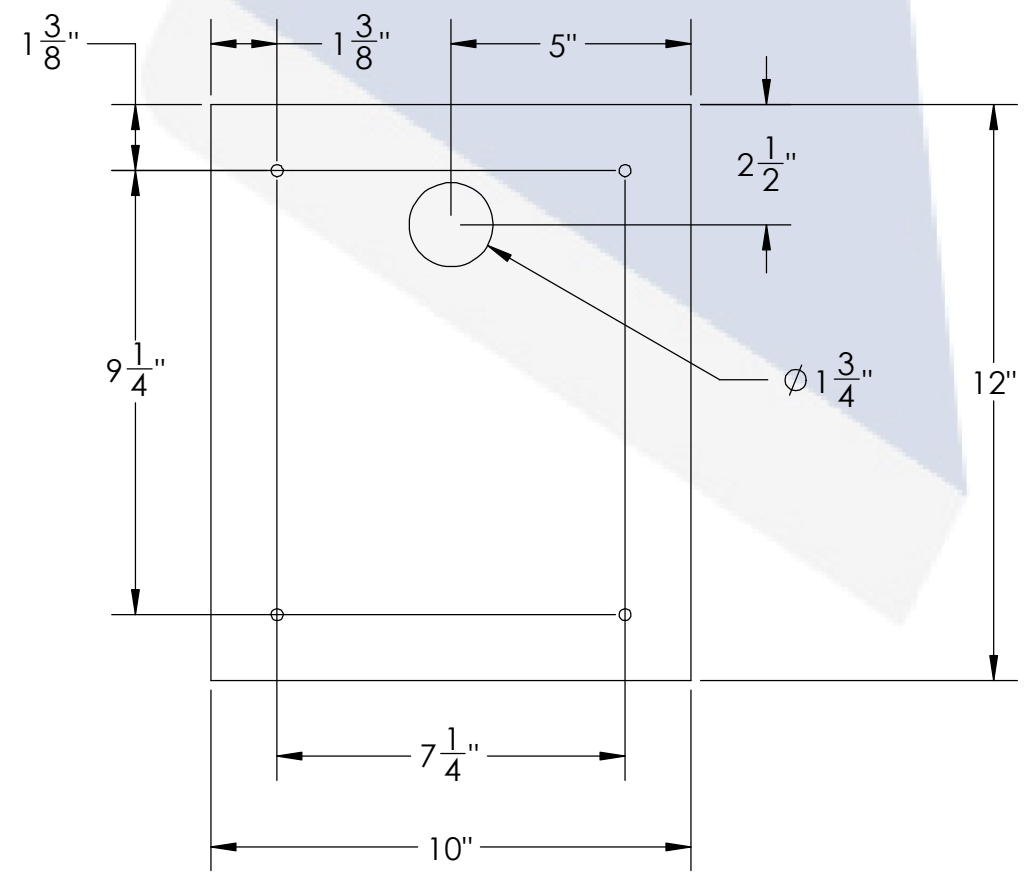
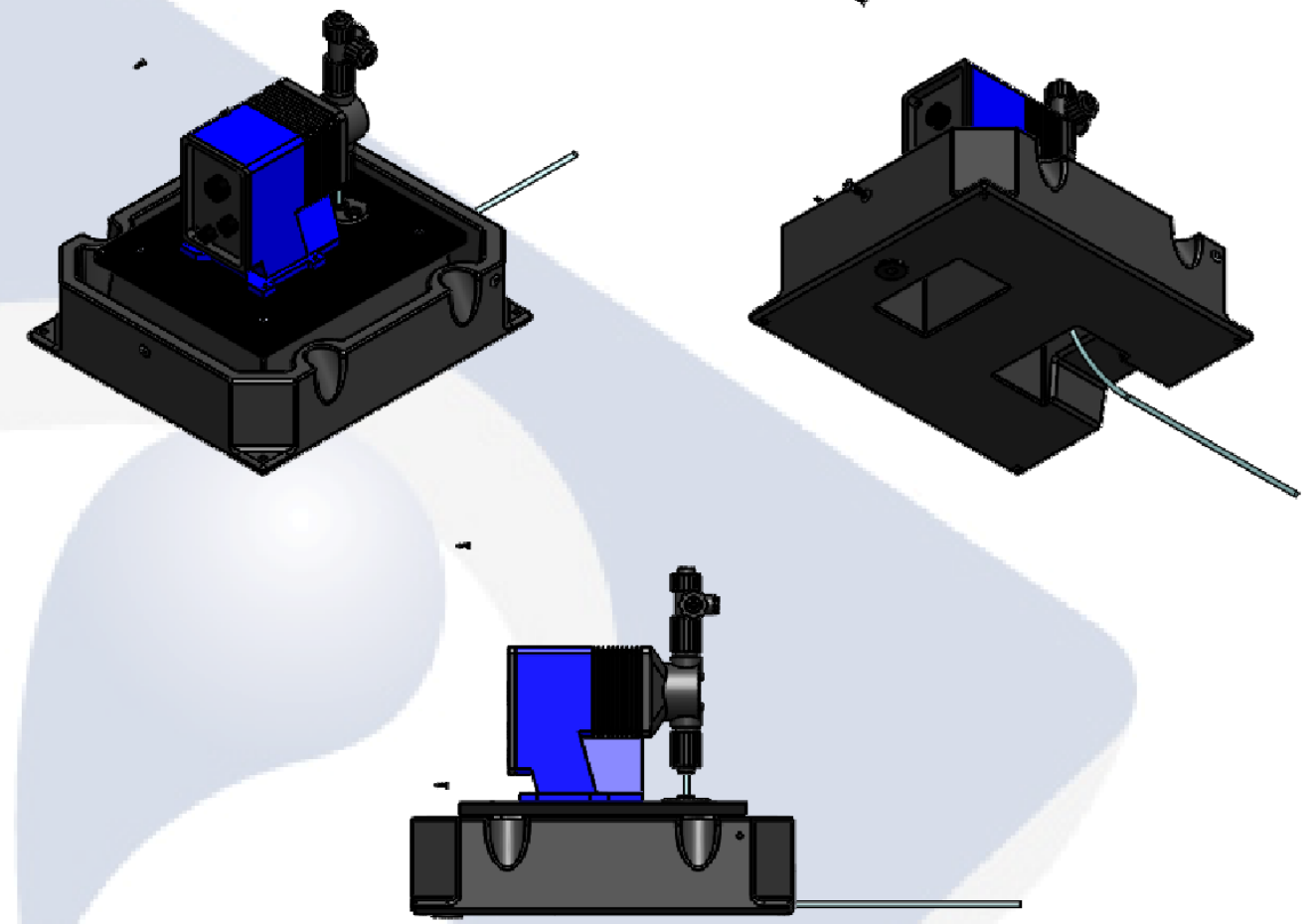
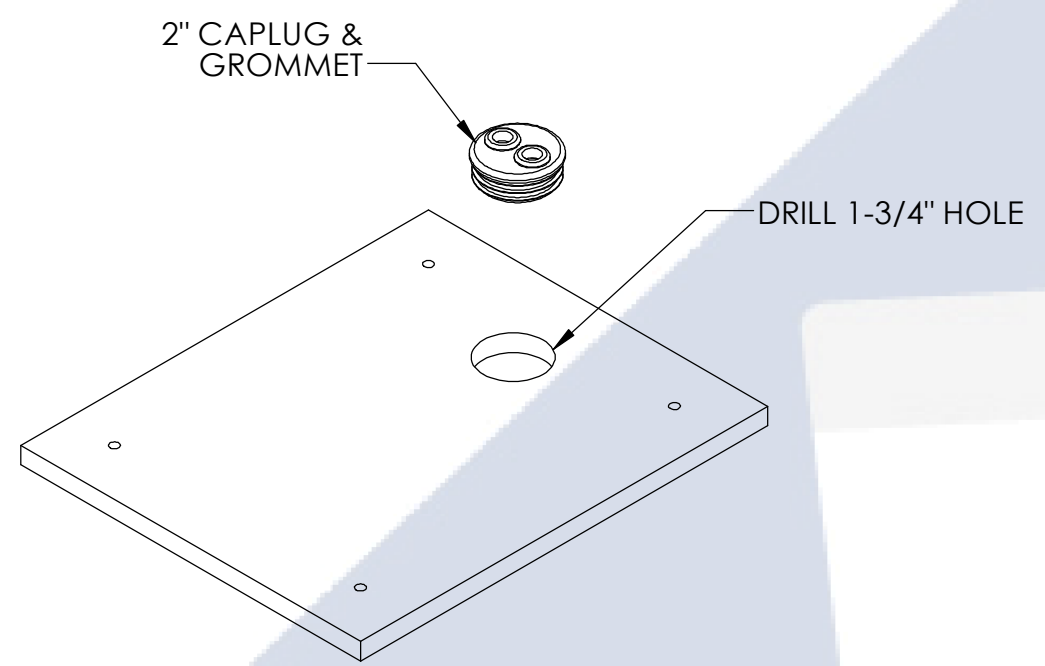


PROJECT:  
PT-1 ASSEMBLY, PUMP TURTLE, REV A

SCALE: 1:6

SHEET 2 OF 3

8 7 6 5 4 3 2 1



**BOTTOM DRAIN INSTRUCTIONS**

NAVIGATE PUMP TUBE STRAIGHT DOWN OR OUT BACK OPENING

NOTE:  
GROMMET PREVENTS POSSIBLE LEAKS FROM EXITING BOTTOM DRAIN OPENING. MULTIPLE HOLES CAN BE DRILLED FOR VARIOUS LINES AS LONG AS THEY ARE LOCATED ABOVE THE DRAIN OPENING.



PROJECT:  
PT-1 ASSEMBLY, PUMP TURTLE, REV A

SCALE: 1:6

SHEET 3 OF 3