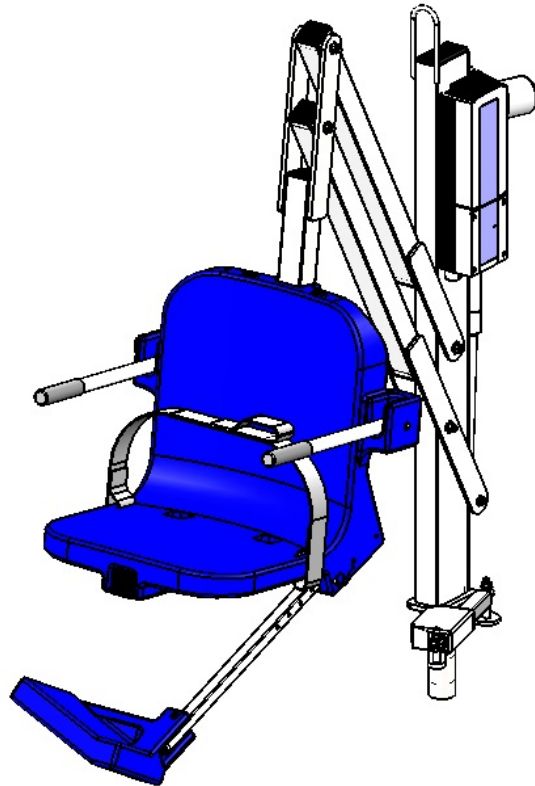




AQUATRAM[®] 90 SWIMMING POOL ACCESS LIFT



INSTALLATION AND USER'S GUIDE

IMPORTANT SAFETY INSTRUCTIONS
READ AND FOLLOW ALL INSTRUCTIONS
SAVE THESE INSTRUCTIONS

AquaTRAM[®] 90 SWIMMING POOL ACCESS LIFT

**300 LB. [136 kg] MAXIMUM CAPACITY
MANDATORY – LEAVE THIS MANUAL WITH LIFT OWNER**

- READ CAREFULLY-

Check entire box and inside all packing materials for parts. Before beginning assembly, read the instructions and identify parts using the figures and parts listed in this document. It is critical that all parts be carefully inspected by the installer prior to installation to ensure that no damage occurred in transit and that a damaged part is not used. If any damage occurred in transit, Pentair Commercial Aquatics™ (“Pentair”) must be notified within three days of receipt of unit. Proper installation cannot be overstressed, as an improper installation voids Pentair’s warranty and may affect the safety of the user.



WARNING

IMPORTANT SAFETY INSTRUCTIONS

1. **READ AND FOLLOW ALL INSTRUCTIONS. LIFT SAFETY CAN ONLY BE ENSURED IF THE LIFT IS INSTALLED AND OPERATED PROPERLY – ACCORDING TO THESE INSTRUCTIONS.**
2. **WARNING- TO REDUCE RISK OF INJURY, DO NOT PERMIT CHILDREN TO USE OR OPERATE THIS PRODUCT.**
3. **WARNING- DO NOT PERMIT CHILDREN TO PLAY ON THIS PRODUCT.**
4. **WARNING- NEVER APPLY DIRECT WATER PRESSURE TO ELECTRONIC COMPONENTS.**
5. **DO NOT USE THE AQUATRAM 90 FOR WATER-DRAFTS OVER 11” (DECK TO WATERLINE).**
6. **NEVER OPERATE THIS LIFT UNDER LOAD WITH NO WATER (DRY POOL).**
7. **SAVE A COPY OF THESE INSTRUCTIONS.**

WARNING

MAKE SURE THE AREA AROUND THE LIFT IS CLEAR BEFORE OPERATING. NEVER OPERATE THE LIFT WITH ANY PERSON WITHIN THE OPERATING RANGE OF THE LIFT, INCLUDING ON THE DECK OR IN THE WATER. NEVER MOVE THE LIFT DOWN WHILE OVER THE DECK. IF THE LIFT COMES INTO CONTACT WITH THE DECK OR A WALL, RELEASE THE BUTTON IMMEDIATELY OR PRESS THE EMERGENCY STOP BUTTON. DO NOT ALLOW CHILDREN TO OPERATE THE LIFT WITHOUT SUPERVISION.

CHECK ALL NUTS AND BOLTS FOR TIGHTNESS AND FOR WORN PARTS BEFORE EACH USE.

AquaTRAM 90 Technical Support

Contact Technical support at:

Sanford, North Carolina (8 A.M. to 5 P.M.)

Phone: (800) 831-7133

Fax: (919) 566-8920

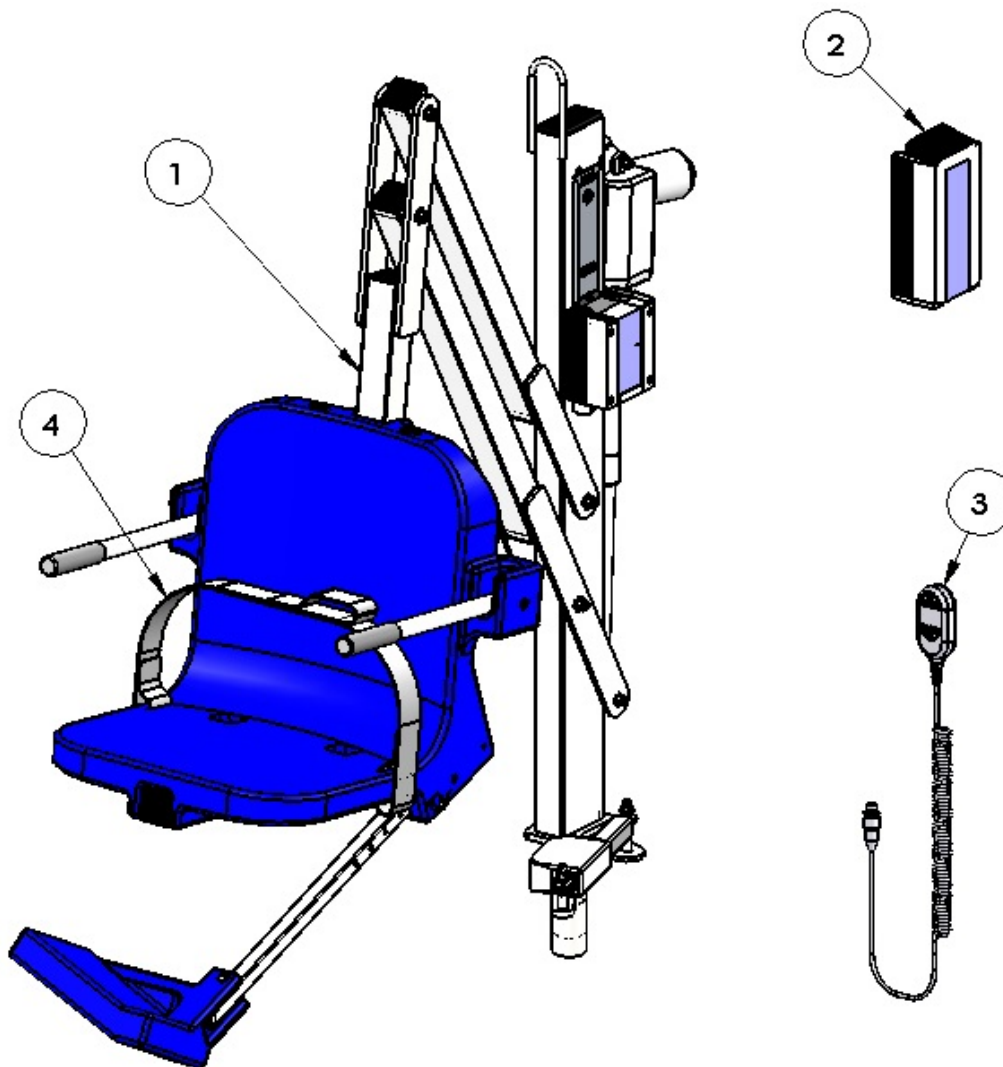
Web sites: visit www.pentaircommercial.com

AquaTRAM® 90 SWIMMING POOL ACCESS LIFT **TABLE OF CONTENTS**

<u>PAGE</u>	<u>DESCRIPTION</u>
4	PACKING LIST
5	SITE AND POOL DECK REQUIREMENTS
6	CORE-DRILL RETROFIT INSTRUCTIONS
7	NEW-CONSTRUCTION INSTRUCTIONS
8	AquaTRAM 90 ASSEMBLY INSTRUCTIONS
9	24V CONTROL & BATTERY INSTRUCTIONS
10	BATTERY CHARGING & MAINTENANCE
11	AquaTRAM 90 OPERATING INSTRUCTIONS
12-13	SAFETY & CARE FOR YOUR LIFT
14-16	TROUBLESHOOTING GUIDE
17	AquaTRAM 90 PARTS LIST
18	CHAIR & ACTUATOR ASSEMBLY PARTS LISTS
19	WARRANTY

THE AquaTRAM[®] 90 SWIMMING POOL ACCESS LIFT

1. AquaTRAM 90 POOL LIFT W/ FOOTREST
2. 24V BATTERY
3. HANDSET/REMOTE
4. SAFETY BELT



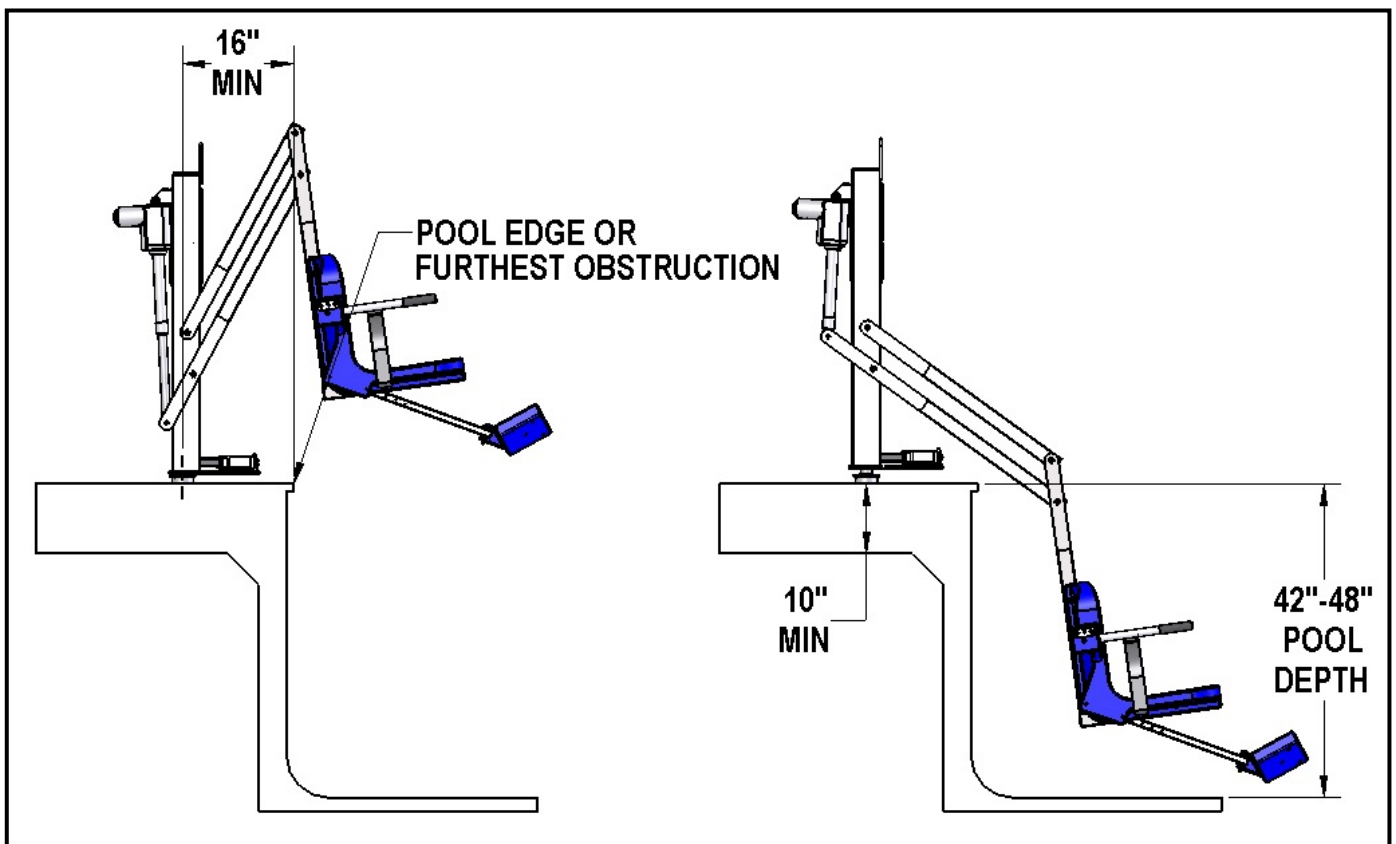
NOTE: The AquaTRAM 90 POOL LIFT requires a 1.9" ID X 6" bronze anchor with 1" x 4" fixing anchor. See anchor installation instructions for more information.

SITE & POOL DECK REQUIREMENTS

This lift is designed for commercial or residential use on in ground pools and spas. This lift is not designed to clear a wall or obstacle. The lift should be installed on the pool deck where a straight linear section of the pool wall is at least six (6) feet long. The lift should be installed at a pool depth (pool deck to pool floor) of no less than 42" but not more than 48 inches. If the edge of the pool deck curves the anchor system will need to be anchored differently than what these instructions outline; contact Pentair Commercial Aquatics™ for assistance in this case. The front anchors of the lift need to be mounted a minimum of 14 inches and no further than 19 inches from the inside pool wall. If your pool or spa has hand rails or other extensions on the inside of the pool wall, the set back distance must take these into account. Contact Pentair Commercial Aquatics for assistance in these types of applications.

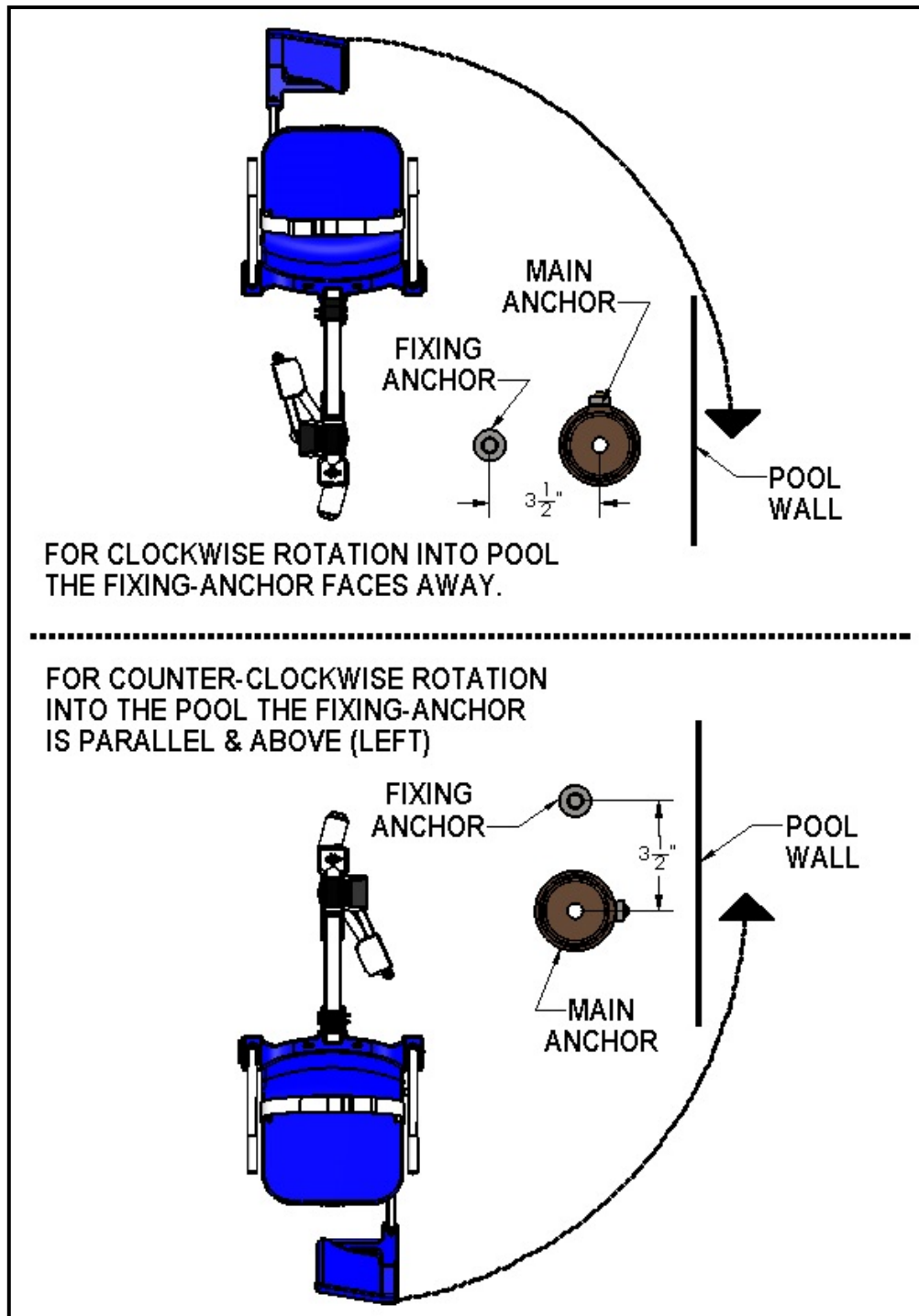
In order to properly install this anchor system into an existing pool deck, your pool deck MUST be at least 3'-3" long, by 3'-3" wide and 10 inches thick. It must also be reinforced with #4 rebar on 10 inch centers in both directions. There may be instances where your existing pool deck may not be structurally sound enough or does not meet the minimum requirements outlined above for the safe installation of this anchor system. In those circumstances it is recommended that you follow the Saw Cutting Retro-fit Instructions on page 6. If you are installing this lift in a new application where the pool deck has not been poured yet, then go to the New Construction instructions on page 7.

FIGURE 1



ANCHOR INSTALLATION: OVERVIEW

The AquaTRAM® 90 Swimming Pool Access Lift can be installed with the chair on either side, for clockwise or counterclockwise rotation into the pool. However, for the round-post version the anchor will have to be installed specifically for one or the other. Before installing the anchor please review the diagram below to see which orientation the anchor(s) will be installed in for your application.



ANCHOR INSTALLATION: RETROFIT INSTRUCTIONS

The AquaTRAM® 90 Swimming Pool Access Lift should be installed in a deck or footing with the following specifications:

1. MINIMUM FOOTING SIZE: 3' - 3" x 3' - 3" x 10" THICK.
2. MINIMUM CONCRETE STRENGTH: 2500 PSI
3. REINFORCEMENT: #4 REBAR @ 10" ON CENTER (O.C.)

To ensure adequacy of an existing pool deck a 3' – 3" square portion of the existing deck may be saw-cut, removed and replaced with a footing as specified above. The new slab reinforcing shall be drilled and epoxied into the existing slab as shown on the next page. If your deck or footing does not meet these requirements please call Pentair for recommendations. For decks that meet these requirements follow these instructions to install your anchor.

TOOLS & MATERIALS REQUIRED:

CORE DRILL

3" CORE DRILL BIT

HEAT GUN (OPTIONAL)

1-1/2" CORE DRILL BIT

MARKING PEN

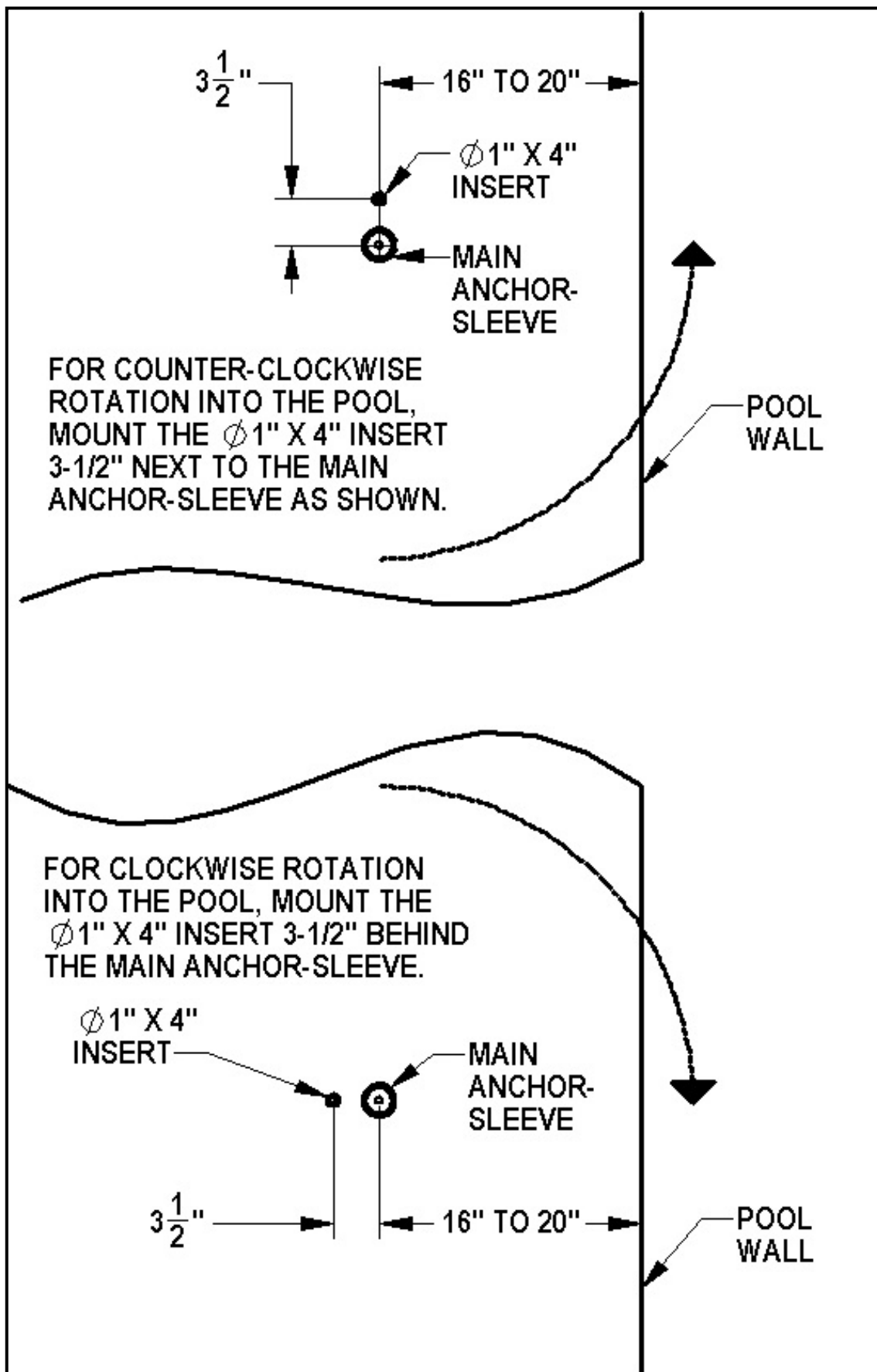
AIR NOZZLE & PUMP/COMP.

EPOXY (ANCHOR ADHESIVE)*

MASKING TAPE

1. Select an anchor location using the diagram on page 8 and the ADA guidelines on page 4. Mark the center of the main anchor location with a pen or marker. Refer to the drawing on the next page to determine which side the fixing anchor will go on, and then mark the center of the fixing anchor 3-1/2" from the center of the main anchor in the appropriate direction.
2. Using a 3" diameter core-drill bit drill a 3" diameter hole at the main anchor location. Make sure to keep the bit square to the deck. Drill straight down to a depth of at least 6". Change to the 1-1/2" core-drill bit, and drill straight down at the fixing-anchor location. Drill down to a depth of at least 4".
3. Remove plugs and clean out the holes with a wire brush, and then insert an air nozzle to the bottom of the hole and blow out the hole using a pump or compressed air. Proper hole-cleaning is essential. If the hole is wet, dry it out as much as possible. A heat-gun may be helpful in drying out the hole.
4. Mask the top of the anchors so that no epoxy gets inside the anchors.
5. Place the anchor in the hole and 'dry-fit' it first to make sure the anchor will be flush and plumb with the deck when installed. Adjust the hole as needed.
6. Install the epoxy into the dispenser and follow manufacturers' instructions to ensure that the epoxy is properly mixed and applied. **USE ONLY THE RECOMMENDED EPOXY AND ALWAYS FOLLOW THE INSTRUCTIONS SO THAT FULL STRENGTH IS ACHIEVED.**
7. Inject epoxy adhesive into the hole, starting at the bottom, until the hole is 1/3 to 1/2 full.
8. Install the anchor into the hole/epoxy and push down until it is flush with the deck surface. Clean off any excess epoxy. Adjust the anchor as needed to make sure it is flush and plumb with the deck surface. This should be done during the adhesives' specified 'gel time' (see manufacturers' instructions).
9. Let the epoxy cure for at least 24 hours before installing the lift (or where applicable according to the manufacturers' instructions).

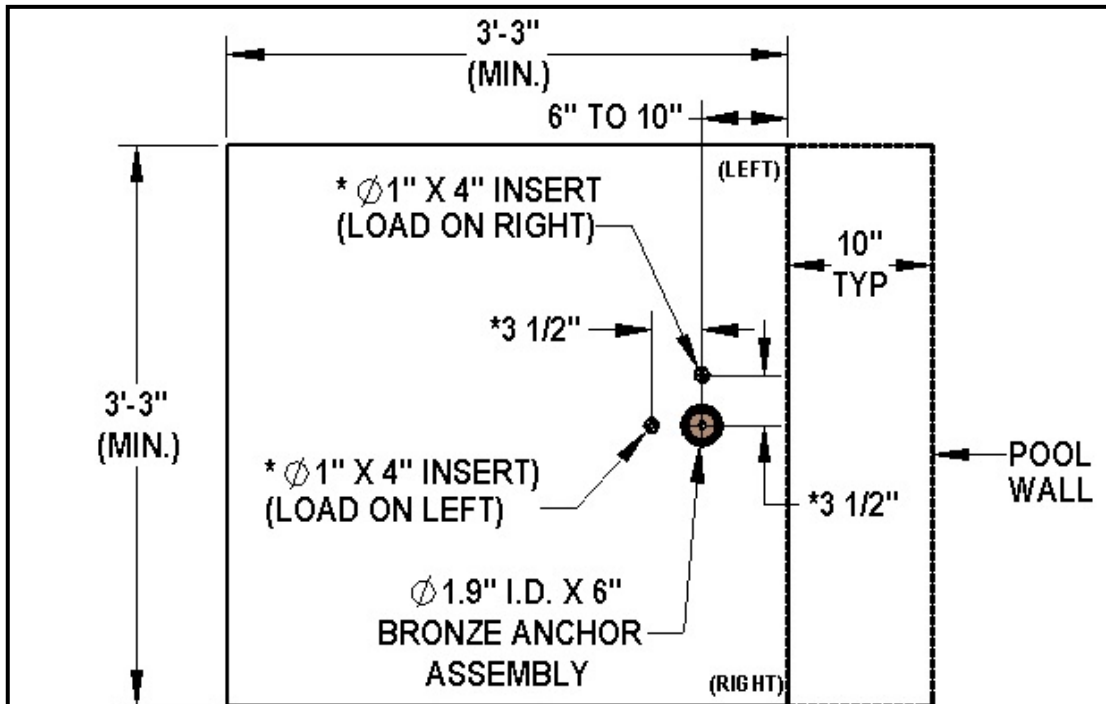
***Use HILTI RE-500-SD adhesive anchor or SIMPSON SET-XP anchor adhesive or equivalent.**



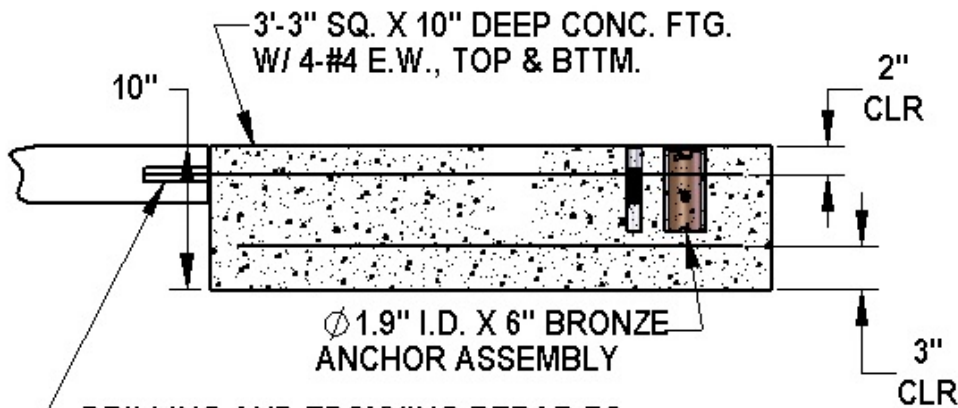
ANCHOR INSTALLATION: NEW CONSTRUCTION

For new construction a footing should be poured according to the diagram below. Again, make sure the anchor is installed flush and plumb with the deck surface. Again, the footing should have the following specifications:

4. MINIMUM FOOTING SIZE: 3' - 3" x 3' - 3" x 10" THICK.
5. MINIMUM CONCRETE STRENGTH: 2500 PSI
6. REINFORCEMENT: #4 REBAR @ 10" ON CENTER (O.C.), EACH WAY, TOP & BOTTOM



***NOTE:** CHOOSE LOCATION FOR ϕ 1" X 4" INSERT DEPENDING ON WHICH SIDE THE USER WILL LOAD ON, LEFT OR RIGHT.



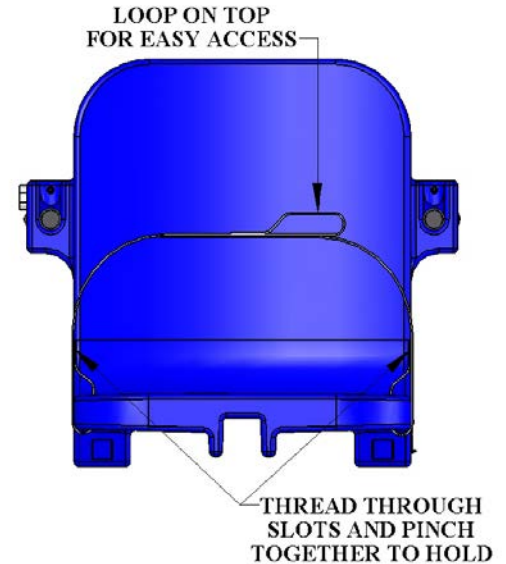
DRILLING AND EPOXYING REBAR TO EXISTING SLAB (4" MIN. EMBED W/ HILTI RE500 SD OR SIMPSON SET-XP EPOXY) IS RECOMMENDED TO RESIST DIFFERENTIAL MOVEMENTS

AquaTRAM[®] 90 - ASSEMBLY INSTRUCTIONS

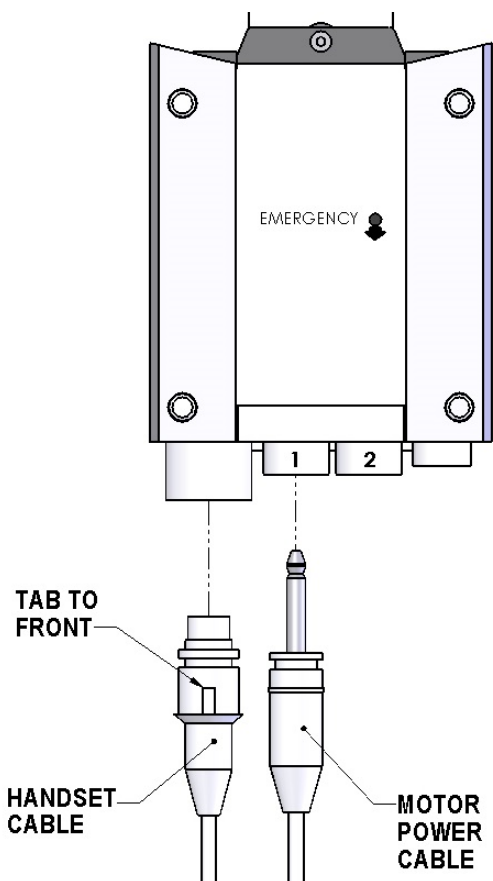
1. Attach Seat belt to the seat as shown.
2. Install the AquaTRAM 90 Swimming Pool Access Lift into the anchor location on the concrete pad.
3. Plug the handset cable into the large handset socket on the bottom of the control box. Be sure you press the cord end firmly into the socket until you are sure it is all of the way into the socket. Failure to fully push the remote cord into the socket may result in faulty or interrupted operation.

4. Before installing the battery, place it on the charging unit and let it charge for 24 hours. Make sure the orange "charge" light illuminates when the battery is being charged.

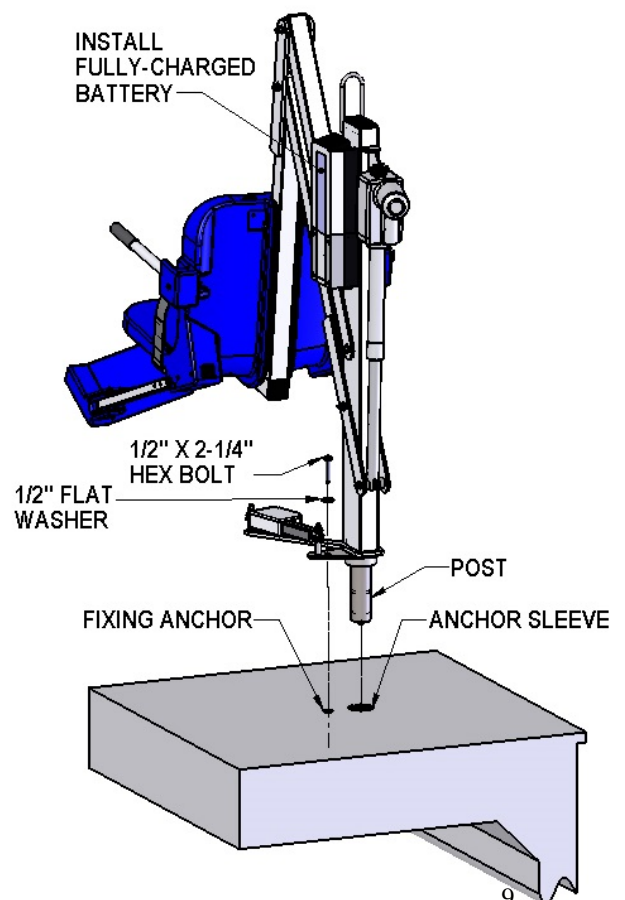
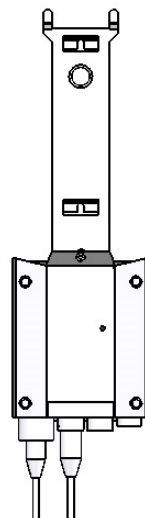
5. Remove the fully-charged battery from the charger and install it on top of the Control Box. The battery will line up square with the control box, and will 'click' when it locks in place properly. The lift will only operate when the battery is mounted properly.



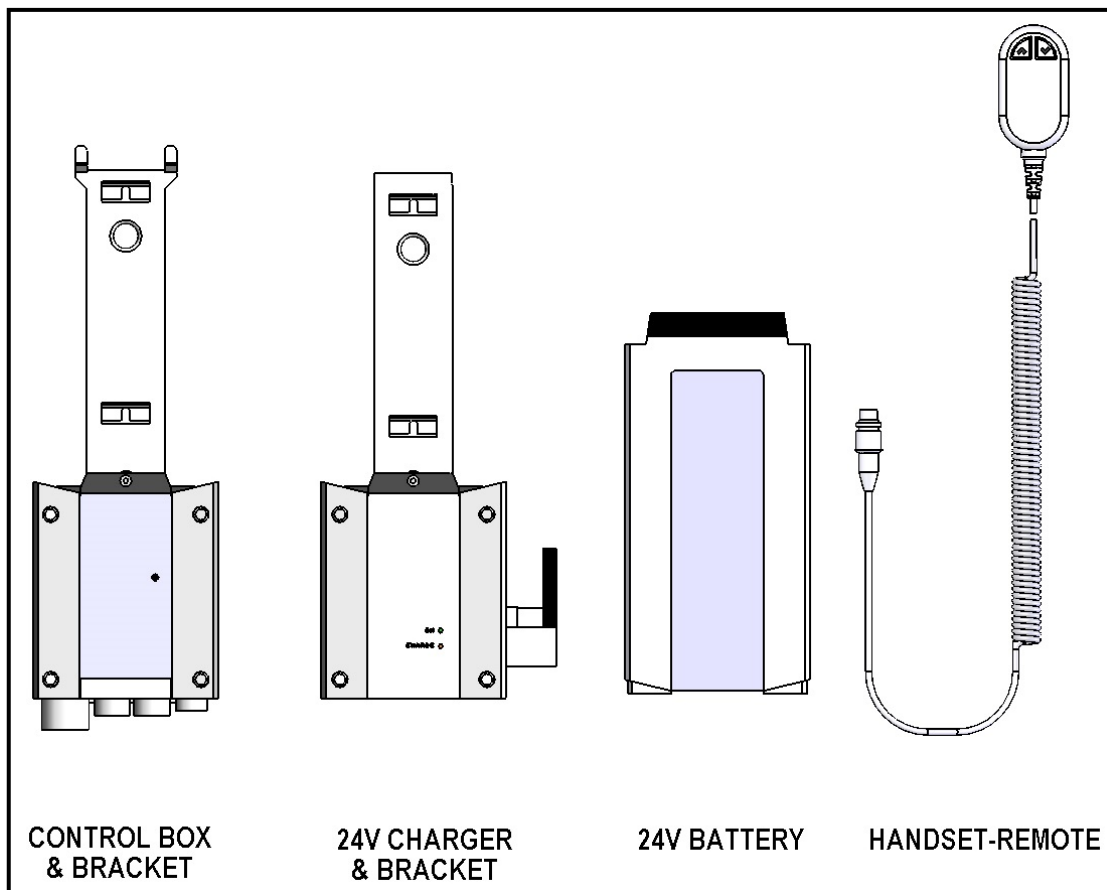
WHEN NOT IN USE STORE THE BATTERY ON THE CHARGER. DO NOT LEAVE THE BATTERY ON THE LIFT WHEN NOT IN USE!



MAKE SURE PLUGS ARE FULLY SEATED AS SHOWN BELOW



24-VOLT BATTERY SYSTEM OPERATING AND INSTALLATION INSTRUCTIONS



The AquaTRAM® 90 Swimming Pool Access Lift comes with a 24v sealed rechargeable battery, wall mount charging unit (with mounting bracket), control box, and a waterproof handset controller. The control box is mounted to the AquaTRAM 90 Pool Lift and has a plug-in socket for both the actuator and the handheld controller. The battery mounts directly above the control box with a quick-release clip.

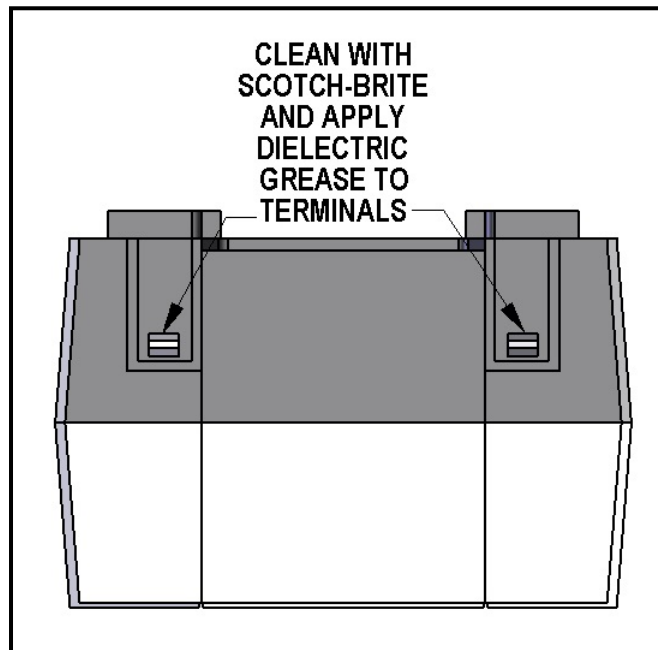
To operate the AquaTRAM 90 Pool Lift, plug in the handset controller to the control box and push the corresponding button to either lower or raise the unit. The lift should be able to complete approximately 10-20 full cycles before the low battery indicator tone will sound. The low battery tone indicates that there is approximately 20% battery life remaining. At this point, **DO NOT ATTEMPT TO OPERATE THE LIFT**, remove the battery from the unit and recharge on the wall mounted charging unit.

To recharge the battery, simply grip the top of the battery and depress the clip on the back of the battery. This will unclip the battery from the control box bracket and the battery can then be clipped into the wall mount charger. When the **charger** is plugged in the green **ON** light will illuminate. When the **battery** is correctly mounted to the charger, the orange **CHARGE** light will illuminate. When the battery is fully charged, the **CHARGE** light will **GO OFF** and the battery is ready for use.

**WHEN THE BATTERY IS NOT BEING USED IT SHOULD BE STORED ON THE
CHARGER AND NEVER ON THE LIFT.**

BATTERY MAINTENANCE

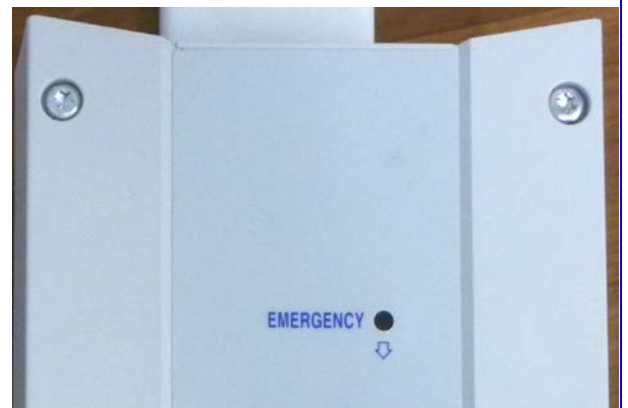
1. **RECHARGE THE BATTERY AS OFTEN AS POSSIBLE.** The battery power unit is a sealed lead acid battery pack. Frequent recharges will prolong the battery life and maintain a high cold amperage capacity. **THE BATTERY CAN BE STORED ON THE CHARGER WHEN NOT IN USE.**
2. Do NOT expose the battery to freezing temperatures.
3. Do NOT expose the battery to prolonged periods of extreme heat or severe cold temperatures.
4. Do NOT expose the battery to long periods of direct sunlight. Heat will shorten your battery life. Optimum operating temperature is below 20 degrees Celsius (68 degrees F.)
5. Never drop or bump the battery pack. This may result in loose or damaged internal connections, and may bend the battery terminals.
6. Keep battery terminals clean and free from dirt and corrosion to ensure good contact. The terminals may be cleaned using Scotch Brite or any similar product. Clean off any corrosion or discoloration on the very top surfaces of the battery contacts and then apply dielectric grease (supplied with lift) as shown in the figure below.



USING THE "EMERGENCY BUTTON" on the Pool Lift Control Box

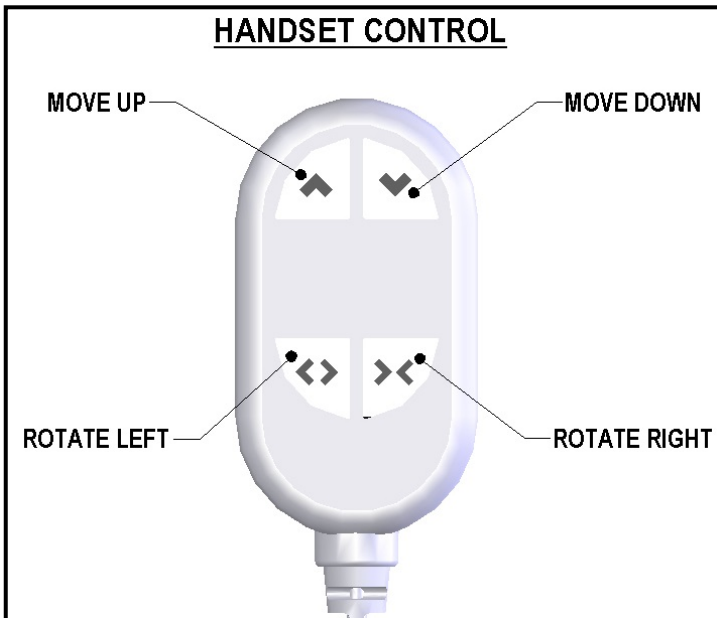
On the front side of the control box is a small recessed button marked "emergency". Take a pen or pencil or other pointed object and depress the "emergency" button. This will bypass the remote control and send a signal directly to the actuator to raise the seat out of the pool and back to the deck or up position.

NOTE: This function will only work if there is sufficient power in the battery, the battery is properly attached to the control box, and the control box must be operating properly.

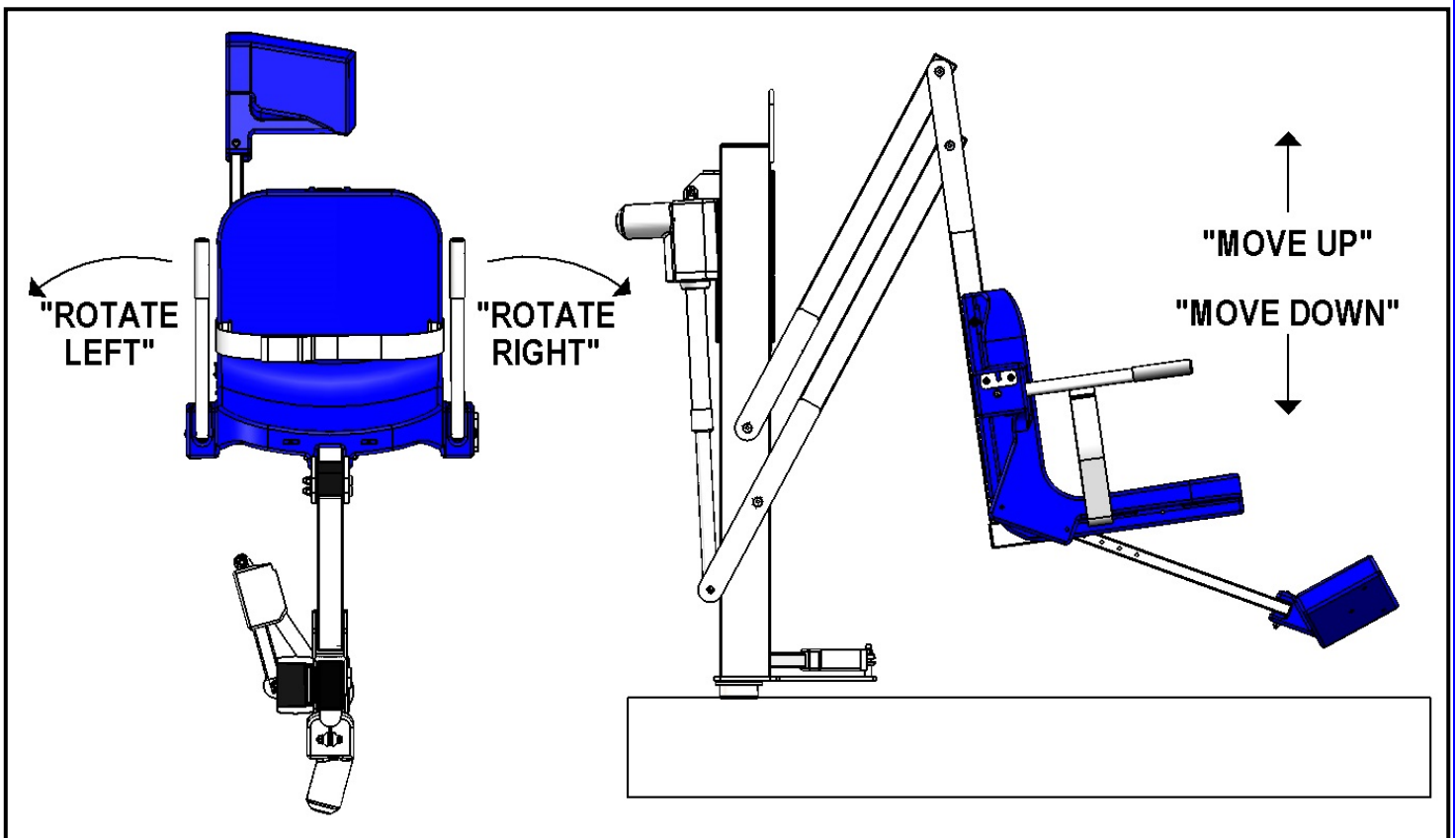


LIFT OPERATION:

Before operating the AquaTRAM® 90 Swimming Pool Access Lift for the first time, the user or operator should become familiar with the Handset Control and its functions. The figure to the left gives a quick explanation of the four buttons and their function. For example, to move the lift UP, press the top left button with the ▲ symbol and hold it down until the lift has reached its desired height and then release the button. The other buttons work in a similar fashion. In all cases, releasing the button will cause the lift to stop moving.



- TO MOVE UP PRESS AND HOLD THE ▲ BUTTON. TO STOP MOVING UP RELEASE THE BUTTON.
- TO MOVE DOWN PRESS AND HOLD THE ▼ BUTTON. TO STOP MOVING DOWN RELEASE THE BUTTON.
- TO MOVE LEFT PRESS AND HOLD THE ◀▶ BUTTON. TO STOP MOVING LEFT RELEASE THE BUTTON.
- TO MOVE RIGHT PRESS AND HOLD THE ▶◀ BUTTON. TO STOP MOVING RIGHT RELEASE THE BUTTON.



SAFETY & MAINTENANCE INSTRUCTIONS

DO NOT PLAY ON OR AROUND THIS LIFT

1. Check the AquaTRAM® Series Pool Lift before each use to assure there are no worn parts and that all hardware is properly tightened. If there are any worn parts, replace them BEFORE using the AquaTRAM Pool Lift. You can call our customer service at 1-888-687-3552 to order any parts.
2. Pentair Commercial Aquatics™ lifts shall be grounded per local codes.
3. At least ONCE A WEEK, the AquaTRAM Series Pool Lift must be cleaned with fresh water. Do not spray the AquaTRAM Series Pool Lifts' 24v battery unit directly with any pressure. Wipe all surfaces clean with a damp, non-abrasive cloth. When cleaning the AquaTRAM Series Pool Lift, use non-abrasive soap and water. Avoid harsh chemicals and disinfectants.
4. Always read the label instructions on any cleaner carefully before applying it to a surface.
5. The WARNING & INTENDED USE labels on the AquaTRAM Series Pool Lift must be maintained in readable fashion. If they become unreadable or faded, please replace the label immediately. Replacement labels are available from AQUA CREEK PRODUCTS LLC. 1-888-687-3552.

CARE OF YOUR LIFT

Routine cleaning is an absolute necessity to ensure the integrity of the lift. Note that the AquaTRAM® 90 Swimming Pool Access Lift should not be stored in a pump room or in a storage room where pool chemicals are kept. Storing the lift near pool chemicals may cause rusting and other damage to occur. Your AquaTRAM 90 stainless steel lift is powder coated to protect the stainless steel from rusting. Most rusting will occur at weld points, crevices, under gaskets, rivets or bolt heads.

The choice of a proper cleaning product is up to the consumer and there are many to choose from. Depending on the type of cleaning and the degree of contamination (rusting), some products are better than others. For routine cleaning the products most recommended are gentle soaps or detergents or dilute mixtures of ammonia. For stubborn spots and stains try using soft scrub with some brisk rubbing.

DO NOT USE POOL WATER TO CLEAN USE ONLY FRESH WATER

If the lift is used **DAILY** make sure to wash the lift at the end of the day. Wash the lift off using a mild soap and a soft cloth. Make sure to pay special attention to weld points and crevices. Do not use a bristled brush or steel wool to clean the lift. Check that the lift is working properly and then place the battery on the charger. It is recommended that the battery be charged after every day of use.

If the lift is used **WEEKLY** follow the same steps as above. Also be sure to check all of the contact points (terminals) for damage or corrosion. If you notice corrosion gently clean the terminals. To clean corrosion from the terminals use a q-tip and some rubbing alcohol. If the corrosion is particularly stubborn try using a 3M scotch brite pad, but be careful not to damage the terminals. Apply dielectric grease to the terminals after cleaning them. This will help to prevent further corrosion. Do not leave the battery on the lift. Always store the battery on the charger whenever the lift is not being used.

If the lift is used **MONTHLY** follow the same steps as above. Also check the nuts and bolts to make sure they are securely fastened (this is always a good idea, no matter how often or infrequently the lift is used). Also make sure to store the battery on the charger and not on the lift. Leaving the battery on the lift for extended periods will significantly shorten the battery's lifespan.

If the lift is being **STORED** for an extended period of time follow all of the steps above. Check for rusting at all crevice and weld points. If you notice rusting, apply some mild dish detergent to the affected area and take a 3M scotch brite pad and rub briskly. Afterwards, be sure to rinse the lift with clean water NOT pool water. When storing the lift make sure it is in a dry area and covered. **DO NOT STORE** in or around pool chemicals.

TROUBLESHOOTING GUIDE

Before troubleshooting make sure the battery is fully charged.

If the AquaTRAM® 90 Swimming Pool Access Lift doesn't move when the handset button is pressed:

When you can't get the lift to move check the following things:

1. Make sure the battery is fully charged:
 - A. Before charging the battery first make sure the **green** light on the front of the charger is illuminated (this means that the charger is on). Then check to make sure the silver contact points on the battery and charger are not damaged or corroded, and that they are clean. Then place the battery on the charger and look for the **orange** charge light to illuminate on the front of the charger. When the orange light goes off the battery is fully charged.

The top **green light** will always be illuminated indicating that it has power. When charging the battery the bottom **orange light** will illuminate, until fully charged.



- B. When the battery is correctly installed on the charger or control box you should hear a "click" indicating the battery is properly seated on the unit. Also note that when the battery is properly seated there should not be any gaps between the battery and the control box/charger.



Not attached properly. Note the white bracket is in front of silver clip, which will not allow for an electrical connection.



Properly Attached. Note that the white bracket is behind the silver clip. Not allowing movement.

If the battery is fully charged and the AquaTRAM® 90 Swimming Pool Access Lift is not moving then:

2. Check all cords:

- A. Check that the cords are properly plugged in. Start by unplugging the remote and the actuator cord from the control box. Once these cords are removed check the ends for corrosion or damage. Plug the remote cord back in by lining up the raised tab on the plug to the grooved line on the control box outlet. Note that these cords require some force to plug them in fully. You will know they are correctly inserted when you here a “popping sound”. The cords will be recessed into the outlet. If they are flush with the outside of the outlet they are not plugged in fully and the lift will not function. Make sure you do this for both cords.



NOT inserted fully.

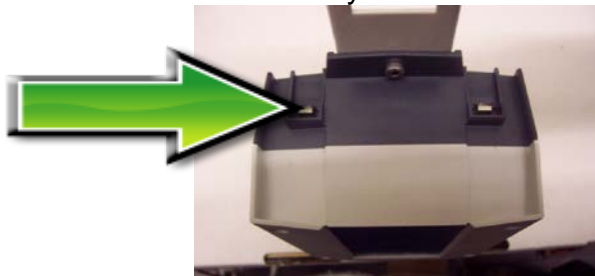


Fully inserted.

If you have checked all the cords and the lift still doesn't move:

3. Check the contact points:

- A. After you have fully charged the battery and checked the cords to make sure they are properly plugged in, check to make sure the contact points are not corroded or bent. If the contact points are corroded take some rubbing alcohol and a q-tip and clean off the points. After cleaning the contact points it is recommended to put some dielectric grease on the contact points (terminals) to help ensure good electrical contact and prevent corrosion. Then reinstall the battery on top of the control box. Make sure you hear a “click”, which indicates that the battery is correctly seated. The lift will not work if the battery is not seated correctly.



Silver tabs are the contact (terminal) points.

If the AquaTRAM® 90 Swimming Pool Access Lift stops moving over the water and is stuck:

4. Then try pushing the emergency button:
 - A. If the lift gets stuck out over the water use a pen or pencil tip and stick it into the emergency button on the front of the control box to retract the lift. Note the lift will not retract if the battery is not fully charged or if the control box is not working. The emergency button only overrides the remote in case it has gone bad. If this does not retract the lift then chances are the remote is fine and you either have a problem with the battery, the control box, or the cords are damaged or not plugged in properly.

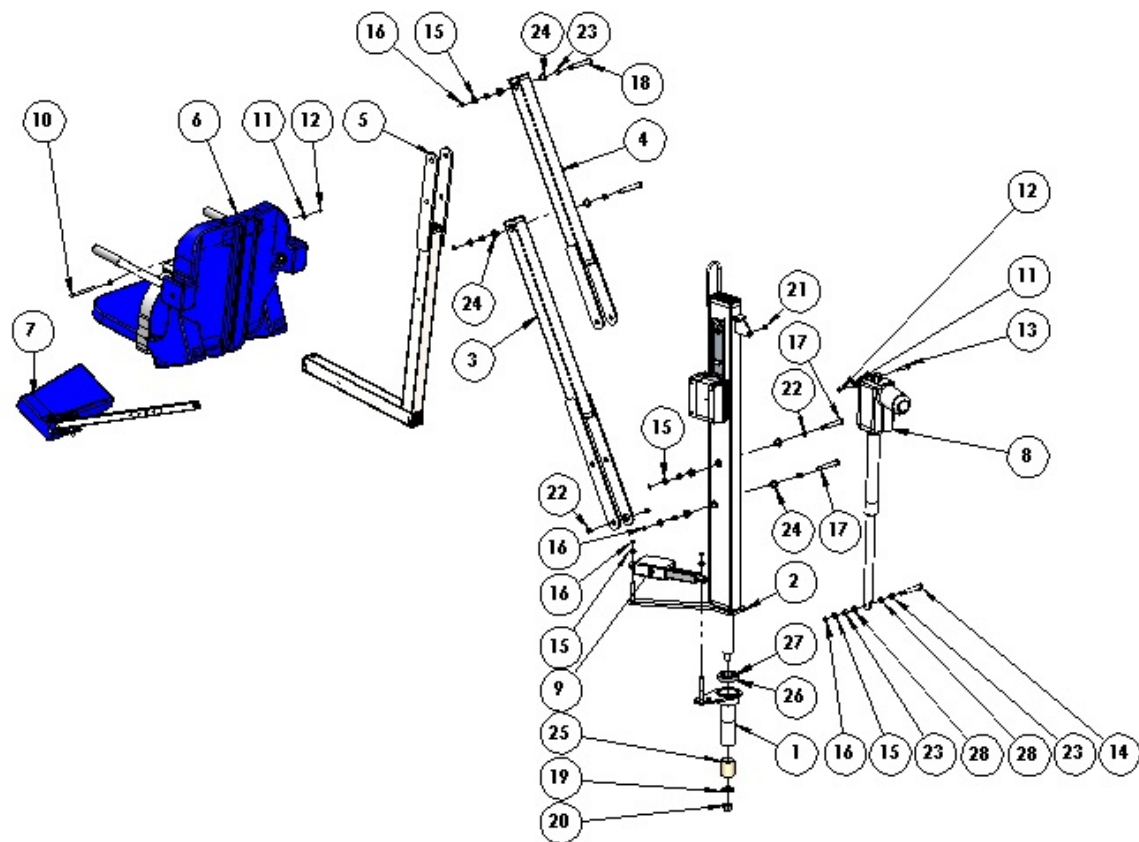
Use a pen or pencil tip to push in the small black circle located next to the word **emergency**, on the front of the control box.



USING THE “EMERGENCY BUTTON” on the AquaTRAM 90 Control Box

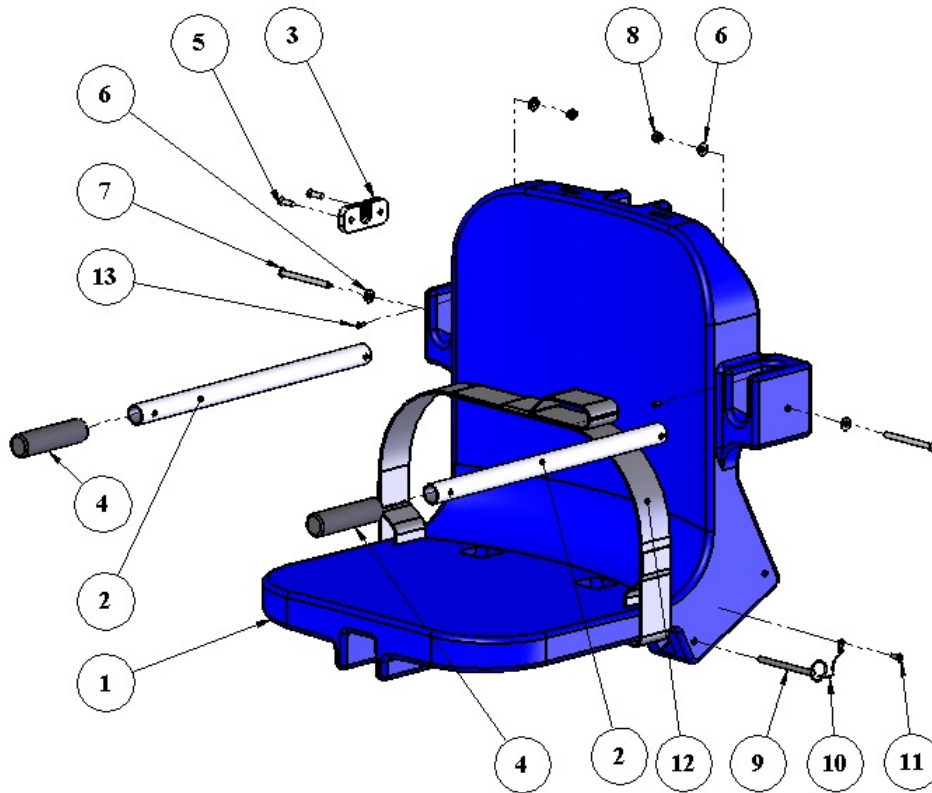
On the front side of the control box is a small recessed button marked “emergency”. Take a pen or pencil or other pointed object and depress the “emergency” button. This will bypass the remote control and send a signal directly to the actuator to raise the seat out of the pool and back to the deck or up position.

NOTE: This function will only work if there is sufficient power in the battery, the battery is properly attached to the control box, and the control box must be operating properly.



AQUATRAM® 90 POOL LIFT: PARTS LIST

ITEM NO.	QTY.	PART NUMBER	DESCRIPTION
1	1	PRS-100RP-30	ROUND POST BASE ASSEMBLY, PENTAIR AQUATRAM 90
2	1	PRS-200-25	MAST ASSEMBLY, PENTAIR AQUATRAM 90
3	1	PRS-300-10	LIFTING ARM ASSEMBLY, PENTAIR AQUATRAM 90
4	1	PRS-400-10	CONTROL ARM ASSEMBLY, PENTAIR AQUATRAM 90
5	1	PRS-500-00	CHAIR ARM ASSEMBLY, PENTAIR AQUATRAM 90
6	1	SA-0904CA2	CHAIR ASSEMBLY WITH BLUE SEAT 18"
7	1	F-0904FRA2	FOOTREST ASSY, STANDARD ANGLED, BLUE PLASTIC
8	1	340514-00	ACTUATOR, LINAK, LA34, 300MM
9	1	LA23-JO4736	ACTUATOR, LINAK, LA23
10	1	BOLT, 5/16-18 X 4 1/2 HCS	BOLT, 316 SS, 5/16-18 X 4 1/2 HCS
11	3	FLAT WASHER, 5/16 SS	WASHER, FLAT, 5/16, 316 SS
12	2	NYLOCK, 5/16-18 SS	NUT, 316 SS, NYLOCK, 5/16"-18
13	1	BOLT, 3/8 X 1 1/4 SHOULDER	BOLT, 18-8 SS, 3/8 X 1 1/4 SHOULDER, 5/16-18 THREAD
14	1	BOLT, 1/2 X 2 3/4 SHOULDER	BOLT, 18-8 SS, 1/2 X 2 3/4 SHOULDER, 3/8-16 THREAD
15	5	FLAT WASHER, 3/8 SS	WASHER, FLAT, 3/8, 316 SS
16	5	NYLOCK, 3/8-16 SS	NUT, 316 SS, NYLOCK, 3/8"-16
17	2	BOLT, 1/2 X 2 3/4 SHOULDER	BOLT, 18-8 SS, 1/2 X 2 3/4 SHOULDER, 3/8-16 THREAD
18	2	BOLT, 1/2 X 3 SHOULDER	BOLT, 18-8 SS, 1/2 X 3 SHOULDER, 3/8-16 THREAD
19	1	FLAT WASHER, 3/4 CUSTOM	WASHER, FLAT, 7/8 X 1.68, 316 SS, CUSTOM
20	1	NYLOCK, 3/4-10 SS	NUT, 316 SS, NYLOCK, 3/4"-10
21	1	BUSHING, 1/2 X 3/8 X 3/8	BUSHING, BRONZE SLEEVE, 1/2 X 3/8 X 3/8
22	6	BUSHING, 1/2 X 5/8 X 1/4	BUSHING, BRONZE SLEEVE, 1/2 X 5/8 X 1/4
23	6	BUSHING, 1/2 X 5/8 X 3/8	BUSHING, BRONZE SLEEVE, 1/2 X 5/8 X 3/8
24	8	BUSHING, 1/2 X 5/8 X 5/8	BUSHING, BRONZE FLANGE, 1/2 X 5/8 X 5/8 X 3/32 FLANGE THCK
25	1	BUSHING, 1 1/2 X 1 3/4 X 2	BUSHING, BRONZE SLEEVE, 1 1/2 X 1 3/4 X 2
26	1	BEARING, RACE, LM29710	RACE, ROLLER BEARING RACE
27	1	BEARING, ROLLER LM29749	BEARING, ROLLER, 1.50ID X 2.63OD X .71
28	2	BUSHING, 1/2 X 5/8 X 3/8O	BUSHING, BRONZE FLANGE, 1/2 X 5/8 X 3/8 X 1/8 FLANGE THCK



CHAIR ASSEMBLY: PARTS LIST

ITEM NO.	QTY.	PART NUMBER	DESCRIPTION
1	1	P-901	CHAIR, BLUE ROTOMOLDED (18" WIDE)
2	2	P-2100FLA-38	ARMREST TUBE
3	1	P-1208HSB	HANDSET BRACKET, HDPE
4	2	RUBBER HAND GRIPS	RUBBER HAND GRIPS, BLACK
5	2	SCREW, #12 X 3/4 FHSMS	#12 X 3/4" FLAT-HD SHEET-METAL SCR SS
6	4	FLAT WASHER, 1/4 SS	1/4" FLAT WASHER, 316 SS
7	2	BOLT, 1/4 X 3 1/4 BHSCS	1/4"-20 X 3-1/4" BUTTON-HD CS, SS
8	2	NYLOCK, 1/4 SS	1/4"-20 NYLOCK NUT, SS
9	1	COTTER PIN, 1/4 X 3 1/4	1/4" X 3-1/4" QUICK-PULL PIN FOR FOOTREST
10	1	LANYARD	SS LANYARD FOR FOOTREST PIN
11	1	SCREW, #10 X 3/4 PHSMS	#10 X 3/4" PAN-HEAD SHEET-METAL SCR, SS
12	1	F-38SB	SEAT BELT, 2" BLACK W/VELCRO FOR PP
13	2	SCREW, #6 X 1/2 PHSMS	#6 X 1/2" PAN-HD SHEET-METAL SCR, SS



AquaTRAM® 90 Swimming Pool Access Lift TWO (2) YEAR LIMITED WARRANTY

A Division of Pentair Water Pool and Spa, INC.

AquaTRAM 90 Lift has a **Limited TWO-YEAR Warranty** on the frames, not including the powder coat finish.

Pentair Water Pool and Spa, Inc. ("Pentair") also warrants to the original end user purchaser that the AquaTRAM 90 Lift ("Lift"), when properly installed in accordance with assembly and installation instructions, and properly used and maintained, shall be free from defects in material and workmanship for a period of two (2) years from the date of original purchase, provided that Pentair receives prompt notice in writing of any claim and satisfactory proof thereof.

This warranty specifically excludes reimbursement for labor to remove, repair, replace or install the Lift or component part thereof and any return freight charges.

These warranties do not cover any damages due to accident, misuse, abuse, negligence or failure to properly maintain any Lift or component part thereof, or normal wear and tear from day to day operations. In the event that any Lift or component part thereof are altered, repaired, or improperly installed or improperly used by anyone without the prior written approval by Pentair, all warranties are void. **IMPORTANT: AMOUNT OF WEIGHT PLACED ON LIFT SHALL NOT EXCEED THE RATED LIFT CAPACITY OF 300 POUNDS (136 KG).**

To initiate a warranty claim, the owner of an AquaTRAM Lift must provide the place of purchase, in writing, with a full description of the Lift, its serial number, the dates of purchase and installation, and the exact nature of the claim. Within thirty (30) days after receipt of a written warranty claim by Pentair, and barring any unforeseen delays, the place of purchase will be notified of Pentair's decision regarding the claim.

If requested by Pentair, any Lift or component part thereof must be returned, freight prepaid, to Pentair's designated factory location or duly appointed distributor for inspection and/or repair or replacement. Pentair will, at its option, refund the purchase price, or repair or replace the Lift or component part thereof, and deliver the repaired Lift or component part thereof or replacement to the buyer of the Lift, freight prepaid to the destination provided for in the original order. Lift or component part thereof returned to Pentair for which Pentair provides replacement under this limited warranty shall become the property of Pentair.

A new warranty period shall NOT be established for the repaired or replaced Lift or component part thereof. Such Lift or component part thereof shall remain under warranty only for the remainder of the original warranty period on the original Lift purchased.

This written limited warranty constitutes the final, complete and exclusive statement of warranty terms. No person or organization is authorized to make any other specific or implied warranties or representations on behalf of Pentair.

THE WARRANTIES SET FORTH HEREIN ARE IN LIEU OF ALL OTHER WARRANTIES, EXPRESSED OR IMPLIED, WHICH ARE HEREBY DISCLAIMED AND EXCLUDED, INCLUDING WITHOUT LIMITATION ANY WARRANTY OF MERCHANTABILITY OR FITNESS FOR A PARTICULAR PURPOSE OR USE.

THE SOLE AND EXCLUSIVE REMEDIES FOR BREACH OF ANY AND ALL WARRANTIES WITH RESPECT TO THE LIFT OR COMPONENT PART THEREOF SHALL BE LIMITED TO REPAIR OR REPLACEMENT AT PENTAIR'S DESIGNATED FACTORY LOCATION, OR DULY APPOINTED DISTRIBUTOR, OR SUCH OTHER PLACE AT PENTAIR'S SOLE OPTION. IN NO EVENT SHALL PENTAIR'S LIABILITY EXCEED THE ENTIRE AMOUNT PAID TO PENTAIR BY THE ORIGINAL PURCHASER FOR THE LIFT OR COMPONENT PART THEREOF.

IN NO EVENT SHALL PENTAIR BE LIABLE FOR ANY INCIDENTAL, CONSEQUENTIAL, SPECIAL, INDIRECT, PUNITIVE OR EXEMPLARY DAMAGES OR LOST PROFITS FROM ANY BREACH OF THIS LIMITED WARRANTY OR OTHERWISE.

Pentair Commercial Aquatics™, A Division of Pentair Water Pool and Spa, Inc.

1620 Hawkins Ave., Sanford, NC 27330
1351 Route 55, LaGrangeville, NY 12540

NOTES

NOTES



1620 Hawkins Ave., Sanford, NC 27330 • (919) 566-8000
10951 West Los Angeles Ave., Moorpark, CA 93021 • (805) 553-5000

WWW.PENTAIRCOMMERCIAL.COM

AquaTRAM® and Pentair Commercial Aquatics™ are trademarks and/or registered trademarks of Pentair Water Pool and Spa, Inc. and/or its affiliated companies in the United States and/or other countries. Unless noted, names and brands of others that may be used in this document are not used to indicate an affiliation or endorsement between the proprietors of these names and brands and Pentair Water Pool and Spa, Inc. Those names and brands may be the trademarks or registered trademarks of those parties or others.

© 2015 Pentair Water Pool and Spa, Inc. All rights reserved.



P/N 11296 REV C 5/12/15