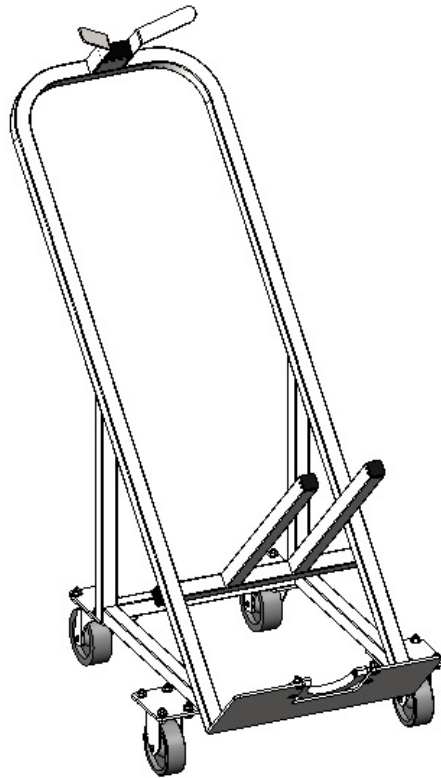




AQUATRAM[®] 90

ACCESS LIFT TRANSPORT CART



INSTALLATION AND USER'S GUIDE

IMPORTANT SAFETY INSTRUCTIONS
READ AND FOLLOW ALL INSTRUCTIONS
SAVE THESE INSTRUCTIONS

AquaTRAM[®] 90 TRANSPORT CART

MANDATORY – LEAVE THIS MANUAL WITH LIFT OWNER

- READ CAREFULLY-

Check entire box and inside all packing materials for parts. Before beginning assembly, read the instructions and identify parts using the figures and parts listed in this document. It is critical that all parts be carefully inspected by the installer prior to installation to ensure that no damage occurred in transit and that a damaged part is not used. If any damage occurred in transit, Pentair Commercial Aquatics[™] (“Pentair”) must be notified within three days of receipt of unit. Proper installation cannot be overstressed, as an improper installation voids Pentair’s warranty and may affect the safety of the user.



WARNING

IMPORTANT SAFETY INSTRUCTIONS

1. **READ AND FOLLOW ALL INSTRUCTIONS. LIFT SAFETY CAN ONLY BE ENSURED IF THE LIFT IS INSTALLED AND OPERATED PROPERLY – ACCORDING TO THESE INSTRUCTIONS.**
2. **WARNING- TO REDUCE RISK OF INJURY, DO NOT PERMIT CHILDREN TO USE OR OPERATE THIS PRODUCT.**
3. **WARNING- DO NOT PERMIT CHILDREN TO PLAY ON THIS PRODUCT.**
4. **WARNING- NEVER APPLY DIRECT WATER PRESSURE TO ELECTRONIC COMPONENTS.**
5. **DO NOT USE THE AQUATRAM 90 FOR WATER-DRAFTS OVER 11” (DECK TO WATERLINE).**
6. **NEVER OPERATE THIS LIFT UNDER LOAD WITH NO WATER (DRY POOL).**
7. **SAVE A COPY OF THESE INSTRUCTIONS.**

WARNING

MAKE SURE THE AREA AROUND THE LIFT IS CLEAR BEFORE OPERATING. NEVER OPERATE THE LIFT WITH ANY PERSON WITHIN THE OPERATING RANGE OF THE LIFT, INCLUDING ON THE DECK OR IN THE WATER. NEVER MOVE THE LIFT DOWN WHILE OVER THE DECK. IF THE LIFT COMES INTO CONTACT WITH THE DECK OR A WALL, RELEASE THE BUTTON IMMEDIATELY OR PRESS THE EMERGENCY STOP BUTTON. DO NOT ALLOW CHILDREN TO OPERATE THE LIFT WITHOUT SUPERVISION.

CHECK ALL NUTS AND BOLTS FOR TIGHTNESS AND FOR WORN PARTS BEFORE EACH USE.

AquaTRAM 90 Technical Support

Contact Technical support at:

Sanford, North Carolina (8 A.M. to 5 P.M.)

Phone: (800) 831-7133

Fax: (919) 566-8920

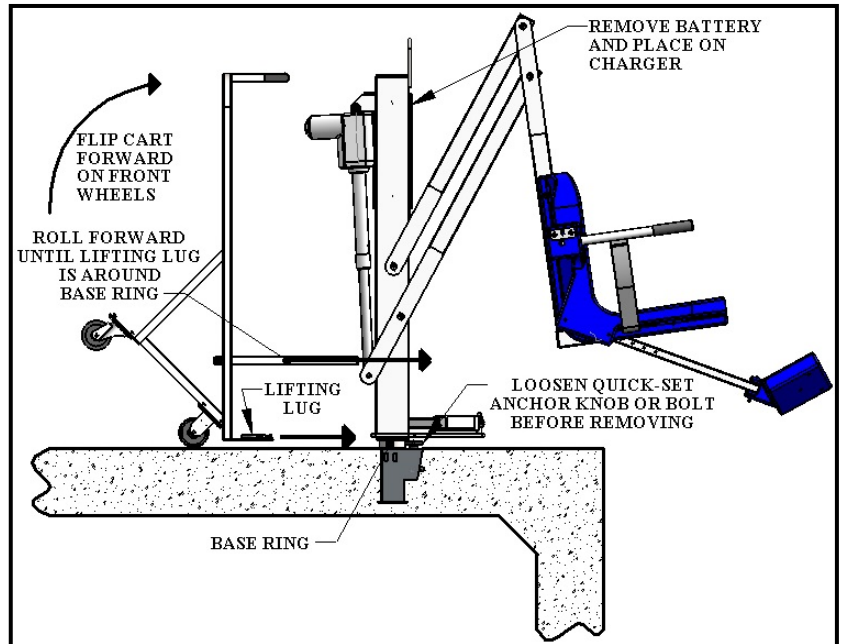
Web sites: visit www.pentaircommercial.com

STEP 1:

CAUTION! Make sure to loosen the quick set anchor knob/bolt before attempting to remove lift.

Remove battery and place on charger.

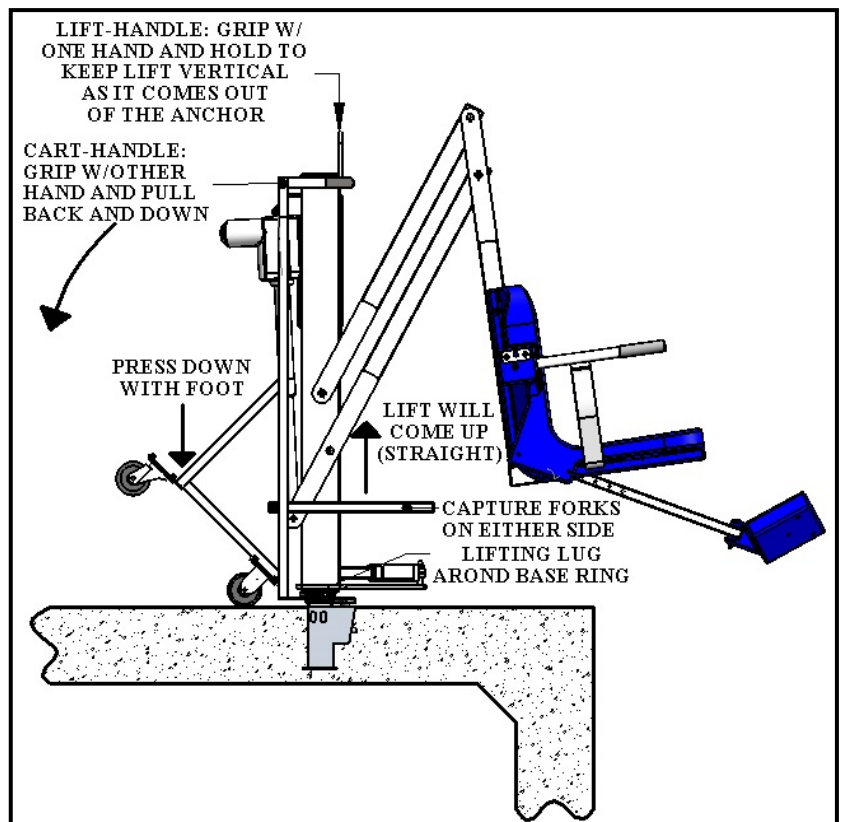
Position the cart behind lift as shown. Flip cart forward on front wheels and roll forward until lifting lug is around base ring.



STEP 2:

Grip lift-handle with one hand and cart-handle with the other. Pull back on cart handle and push down, with foot on back bar, to raise lift straight up out of the anchor. Keep a grip on the handle to steady the lift as it is raised out of the anchor.

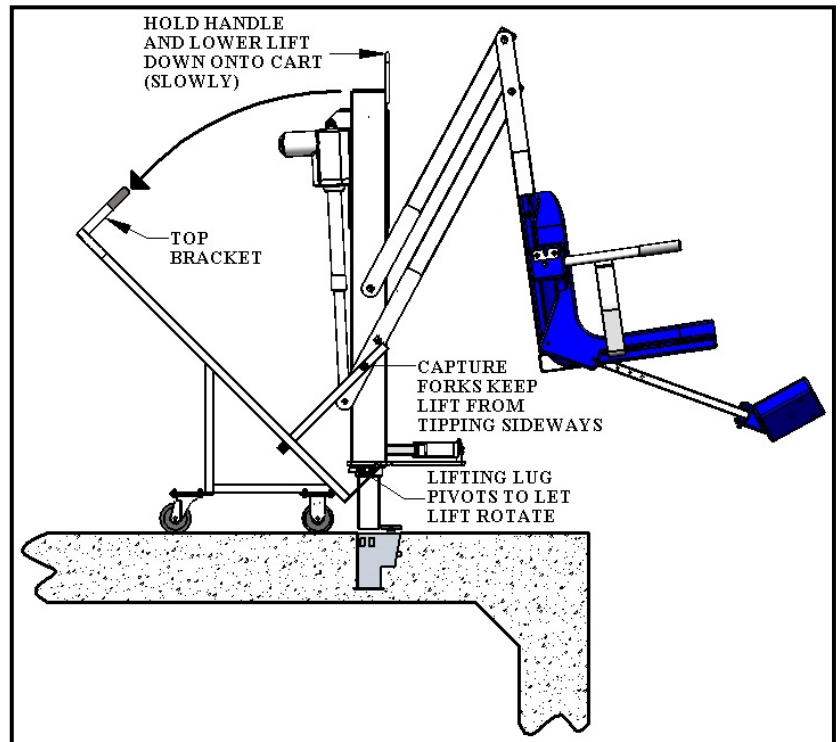
NOTE: The lift will come straight up so do not try to pull back on the handle. Allow the lift to come straight up and keep steady with your hand on the handle.



STEP 3:

Lower the lift down slowly into the top bracket, **DO NOT DROP!**

The lifting lug will pivot to allow the lift to lie down onto the cart. The capture forks will help keep the lift from falling sideways. Even so, keep a firm grip on the handle to make sure the lift does not fall forward.

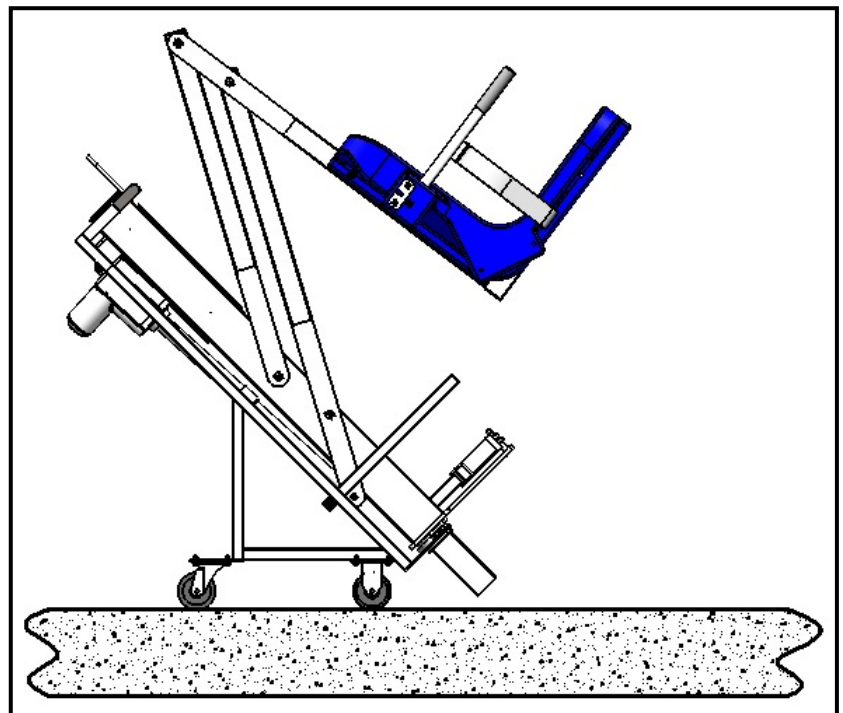


STEP 4:

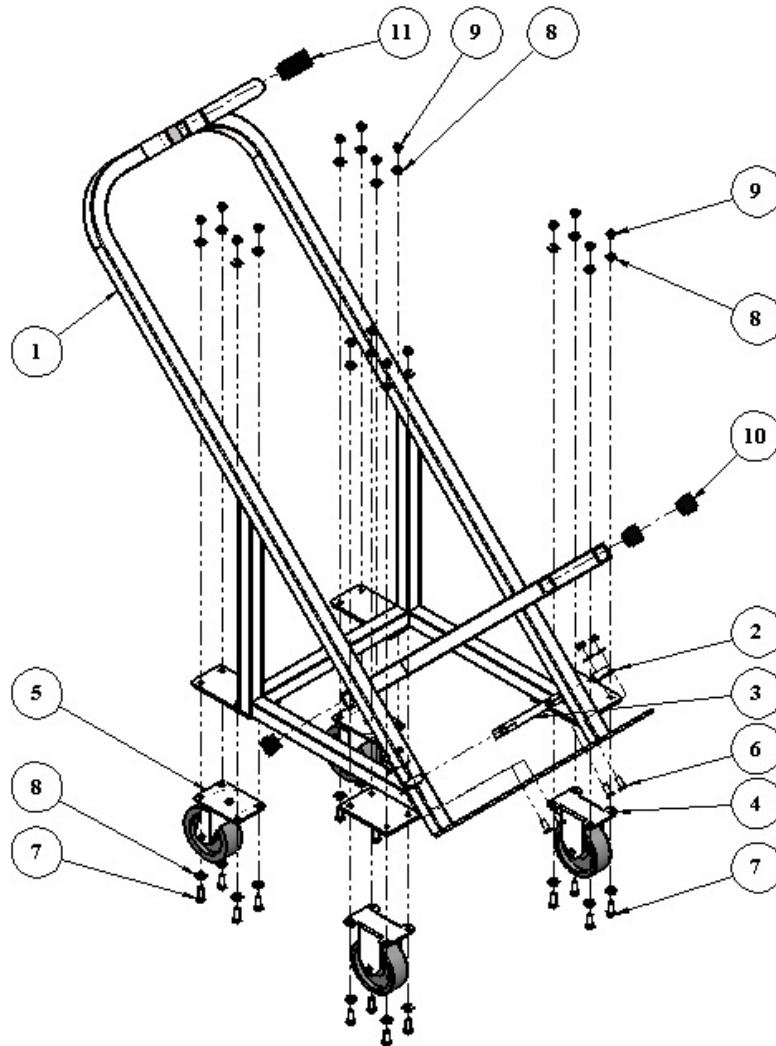
Remove the footrest, if desired, to conserve space while stowed away.

The lift is now ready to transport and stow away.

CAUTION: When storing the lift make sure it is in a dry area and covered. **DO NOT STORE** in or around pool chemicals. Also, **DO NOT STORE** with battery on lift. Always place the battery on the charger when lift is not in use.



PARTS LIST



ITEM NO.	QTY	PART NUMBER	DESCRIPTION
1	1	A90-TCW-00	AT-90 T-CART WELDMENT
2	2	A90-PLW-00	AT-90 T-CART PVT-LUG WLDMT
3	1	A90-CLL-00	AT-90 T-CART LIFTING LUG
4	2	2.03408.471	3-1/2" CASTERS, STRAIGHT
5	2	2.03456.471	3-1/2" CASTERS, SWIVEL
6	4	BOLT, 1/4 X 3/4 FHCS SS	1/4" X 3/4" FLAT-HD BOLT, SS
7	16	BOLT, 1/4 X 3/4 HCS SS	1/4" X 3/4" HEX BOLT, SS
8	36	FLAT WASHER, 1/4 SS	1/4" FLAT WASHER, SS
9	20	NYLOCK, 1/4-20 SS	1/4"-20 NYLOCK NUT, SS
10	4	SQR-1-14-20	1x1 sqr. plastic cap (.065" WALL)
11	1	RER-1X2-10-14	1X2 BLACK RECT CAP .120 WALL

NOTES

NOTES



1620 HAWKINS AVE., SANFORD, NC 27330 • (919) 566-8000
10951 WEST LOS ANGELE AVE., MOORPARK, CA 93021 • (805) 553-5000

All Pentair trademarks and logos are owned by Pentair or one of its global affiliates. Pentair Commercial Aquatics™ and AquaTRAM® are trademarks and/or registered trademarks of Pentair Water Pool and Spa, Inc. and/or its affiliated companies in the United States and/or other countries. Unless expressly noted, names and brands of third parties that may be used in this document are not used to indicate an affiliation or endorsement between the owners of these names and brands and Pentair Water Pool and Spa, Inc. Those names and brands may be the trademarks or registered trademarks of those third parties. Because we are continuously improving our products and services, Pentair reserves the right to change specifications without prior notice. Pentair is an equal opportunity employer.

© 2014 Pentair Water Pool and Spa, Inc. All rights reserved.



P/N 11224 REV B 9/17/14