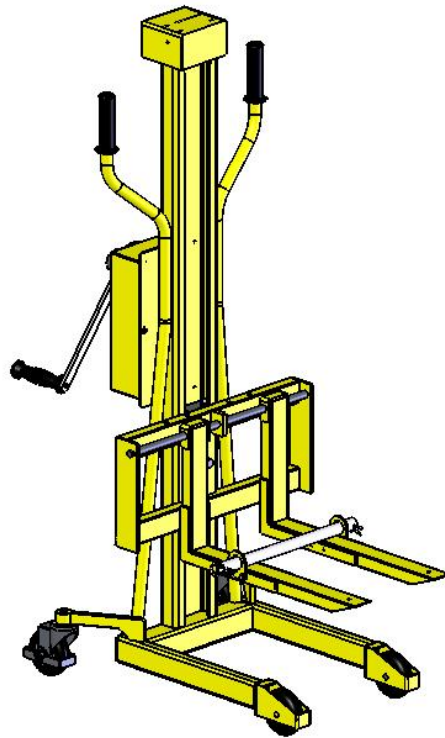




# AQUATRAM<sup>®</sup>

## ACCESS LIFT TRANSPORT CART

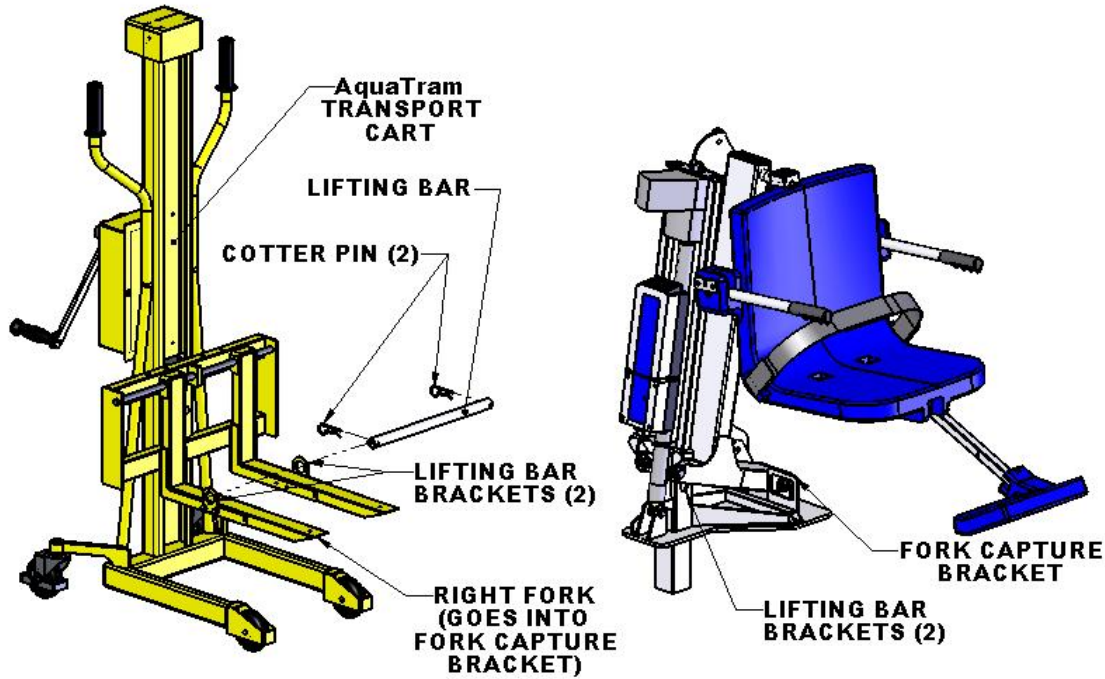


# INSTALLATION AND USER'S GUIDE

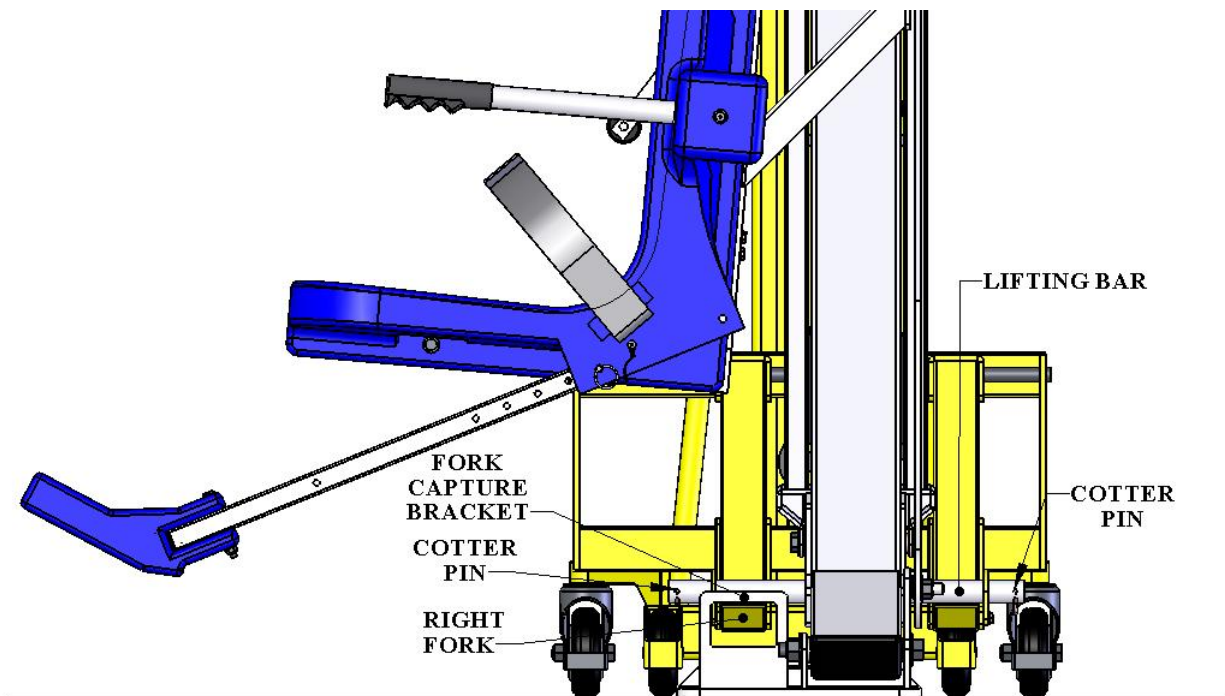
IMPORTANT SAFETY INSTRUCTIONS  
*READ AND FOLLOW ALL INSTRUCTIONS*  
SAVE THESE INSTRUCTIONS

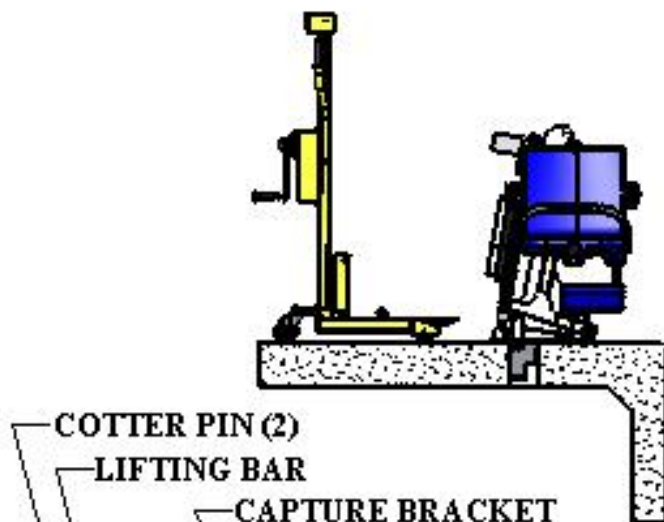
**OPERATING INSTRUCTIONS:**

**NOTE: READ THIS SECTION FULLY BEFORE USING THE TRANSPORT CART FOR THE FIRST TIME. BE SURE TO USE THE SUPPLIED COTTER-PINS TO HOLD THE LIFTING BAR IN PLACE.**

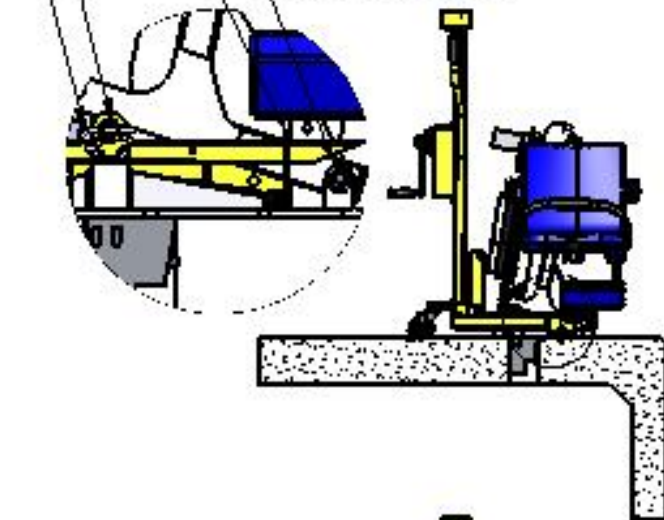


The AquaTRAM® Access Lift Transport Cart comes with a LIFTING BAR and two COTTER PINS, as shown above. The LIFTING BAR goes through the LIFTING BAR BRACKETS on the cart and the lift, and the COTTER PINS hold the bar in place. The right fork of the cart will also slide into the FORK CAPTURE BRACKET to keep the lift from tilting on the Transport Cart.

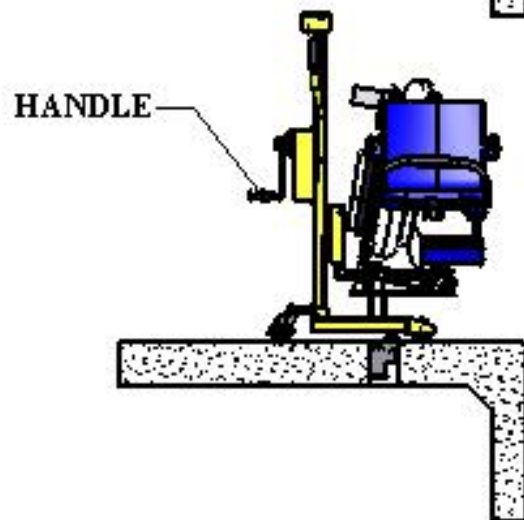




**STEP 1: WITH THE CART FULLY LOWERED, LINE UP THE RIGHT-FORK W/ THE CAPTURE BRACKET. MAKE SURE THE FORKS ARE SPREAD APART JUST ENOUGH TO GO AROUND THE LIFT.**



**STEP 2: ROLL THE CART FORWARD, UNTIL THE RIGHT FORK SLIDES INTO THE CAPTURE BRACKET, AND THE HOLES FOR THE LIFTING BAR ALIGN. PUT THE LIFTING BAR THROUGH THE HOLES AND INSTALL COTTER PINS. LOOSEN THE ANCHOR KNOB.**



**STEP 3: CRANK THE HANDLE CLOCKWISE TO RAISE THE LIFT OUT OF THE ANCHOR. IF THE LIFT DOES NOT COME OUT EASILY, GENTLY ROCK THE LIFT FROM SIDE-TO-SIDE TO LOOSEN THE ANCHOR**

**MAKE SURE THE ANCHOR KNOB IS LOOSENED!!!!**



1620 HAWKINS AVE., SANFORD, NC 27330 • (919) 566-8000  
10951 WEST LOS ANGELESE AVE., MOORPARK, CA 93021 • (805) 553-5000

All Pentair trademarks and logos are owned by Pentair or one of its global affiliates. Pentair Commercial Aquatics™ and AquaTRAM® are trademarks and/or registered trademarks of Pentair Water Pool and Spa, Inc. and/or its affiliated companies in the United States and/or other countries. Unless expressly noted, names and brands of third parties that may be used in this document are not used to indicate an affiliation or endorsement between the owners of these names and brands and Pentair Water Pool and Spa, Inc. Those names and brands may be the trademarks or registered trademarks of those third parties. Because we are continuously improving our products and services, Pentair reserves the right to change specifications without prior notice. Pentair is an equal opportunity employer.

© 2014 Pentair Water Pool and Spa, Inc. All rights reserved.



P/N 11228 REV B 9/17/14