



AquaTRAM™ PT

ADA Compliant Pool Access Lift



Recreation for all. Support by Pentair.

Choosing the AquaTRAM™ PT portable pool lift provides you with safe and mobile swimming pool access for swimmers with physical disabilities. The 100% ADA compliant lift requires no permanent anchoring to your pool deck. It's easily transported poolside when needed—simply set the brakes, slide the lift into position and it's ready to use.

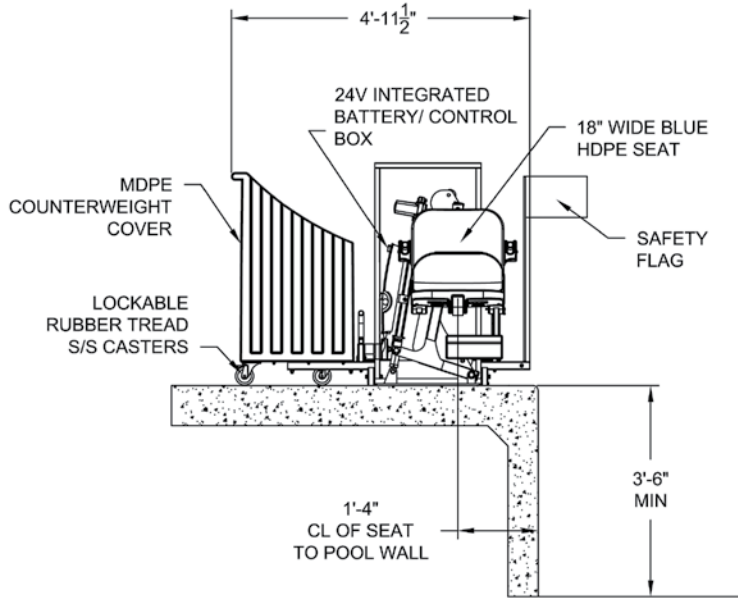
You can count on AquaTRAM PT for the performance and reliability you'd expect from the world's #1 provider of swimming pool equipment, Pentair Water Commercial Pool and Aquatics™ ("Pentair").

Standard Features

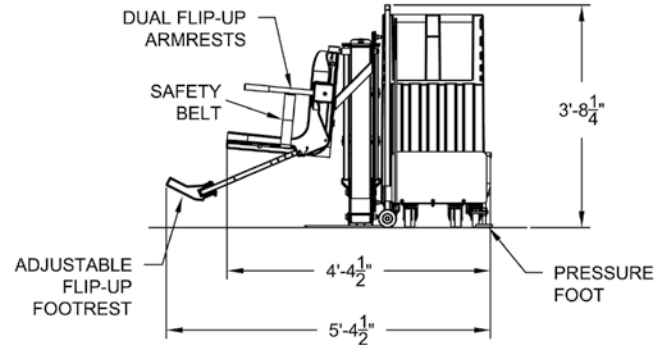
- Fully compliant with ADA Guidelines.
- Dual flip-up armrests provide easy and safe access.
- Rechargeable battery-powered operation for easy use.
- Comfortable seat with adjustable lap belt and footrest.
- Simple-to-operate controls provide easy access in and out of pool.
- Completely portable unit – no anchor required.
- Lifting capacities up to 350 pounds.

AquaTRAM™ PT

ADA Compliant Pool Access Lift



FRONT VIEW



SIDE VIEW

AquaTRAM™ PT Aquatic Portable Lift Products

11280	AquaTRAM PT Portable Lift
11285	AquaTRAM PT Protective PT Cover
11287	AquaTRAM PT Upgrade Package*
11235	AquaTRAM PT Replacement Integrated Control Box
11236	AquaTRAM PT Replacement Integrated Handset
11237	AquaTRAM PT Replacement Charger Cord

*Includes cover, headrest, chest strap and extra integrated battery/control box unit.

For our full line of AquaTRAM lifts contact your local Pentair Water Commercial Pool and Aquatics™ representative.



 **Pentair Water**
Commercial Pool and Aquatics™

1620 Hawkins Avenue

Sanford, NC 27330

Phone: 800-831-7133

www.pentaircommercial.com

www.pentairpool.com