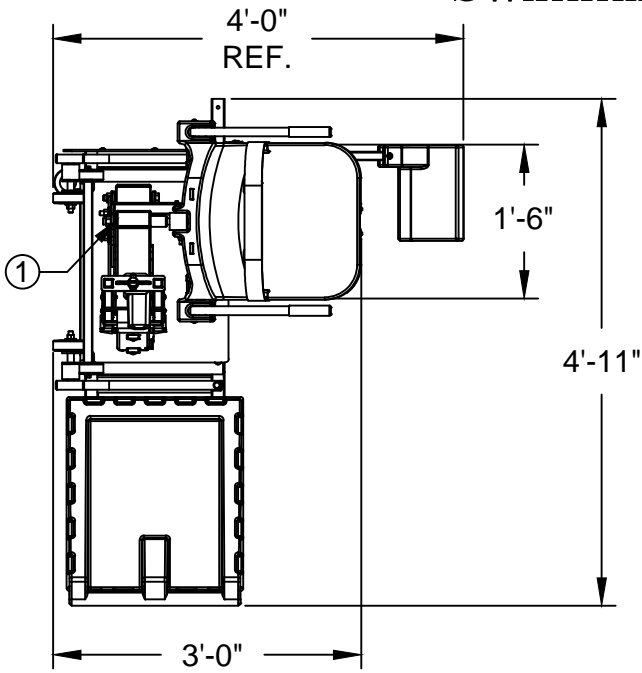
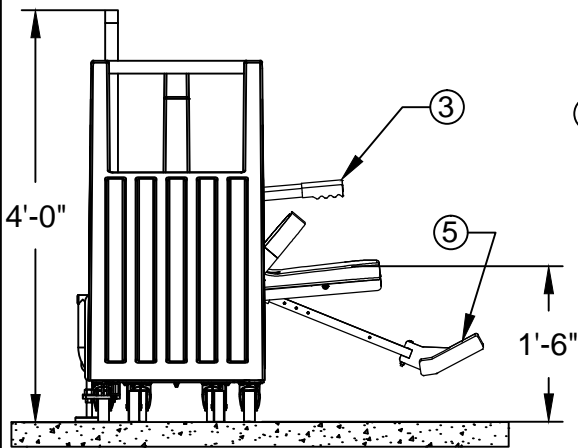
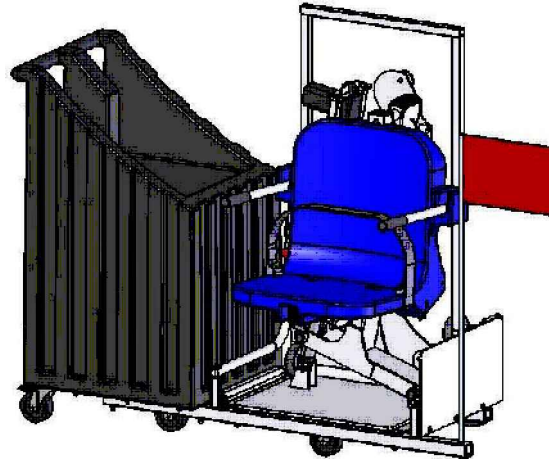


AQUATRAM™ PT

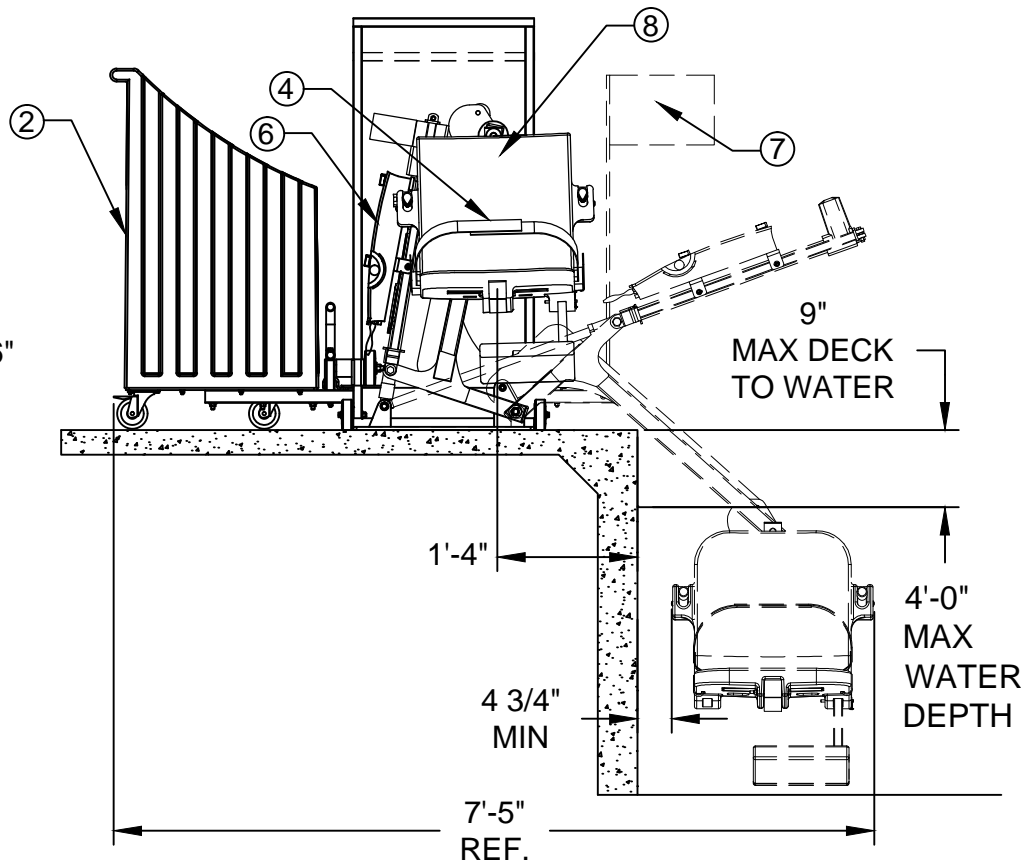
Swimming Pool Access Lift



PLAN VIEW
(IN TRANSPORT MODE)



SIDE VIEW
(IN TRANSPORT MODE)



FRONT VIEW
(IN OPERATION MODE)

Inspected And Verified To Meet
Applicable Sections of ADA
Guidelines Section 1009.2 By

wyle
laboratories

A Nationally Recognized
Test Laboratory

The data represents the latest knowledge available to us at time of presentation. However, Pentair and others involved in gathering and presenting this drawing assume no liability for its use.

© 2012 Paragon Aquatics



Pentair Water
Commercial Pool and Aquatics™

1620 Hawkins Avenue
Sanford, NC 27330
Phone: 800-831-7133
Fax: 800-284-4151
www.pentairpool.com

Drawn by: JMM Date: 12/20/11

Approved by: Date:

Sheet Title: AquaTram PT Access Lift

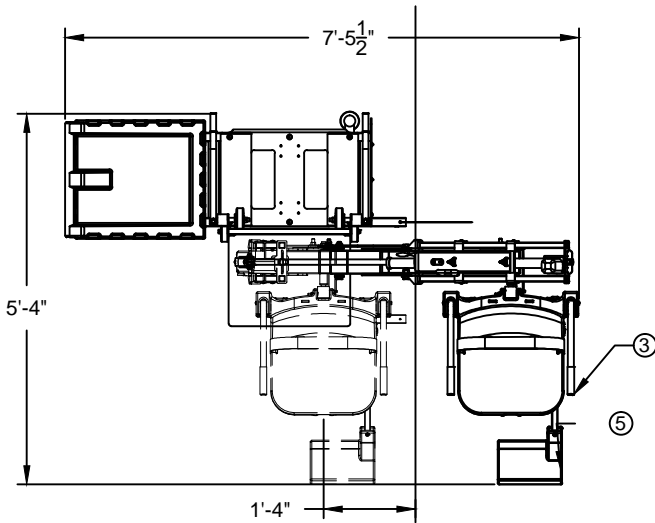
Drawing Number: SS-AL09.40

Revision Letter:

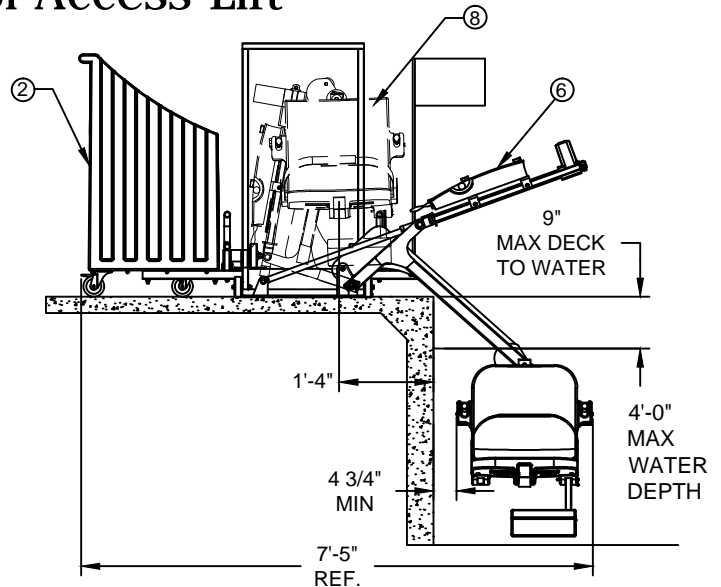
Sheet: 1 of 2

AQUATRAM™ PT

Swimming Pool Access Lift



PLAN VIEW
(IN OPERATION MODE)



FRONT VIEW
(IN OPERATION MODE)

Part Number: 11280

Specifications

- ① The AquaTram™PT lift shall be fully portable, ADA compliant, and verified by a third party with a lifting capacity of 350lbs and a static load rating of 525lbs. The Aqua Tram™PT lift shall be constructed of Stainless Steel components with a white UV resistant epoxy powder coat finish.
- ② The AquaTram™ PT lift shall be affixed to the counterbalanced transport cart. The counterbalance weights shall be fully enclosed within a rotomolded polyethylene cover. When the lift has been moved into position for operation, two locking casters and pressure foot shall be engaged to prevent movement. The lift shall be lowered to the deck level without the use of tools utilizing the incorporated sliding mechanism. When in position, the lift shall not overhang past the vertical pool wall unless in use. Shall be used on pools with a deck to water of 9" or less.
- ③ Dual flip-up armrest shall be integrally constructed into the seat of the lift. The armrest shall be constructed of Stainless Steel and powder coated white.
- ④ An adjustable hook and loop style lap belt shall be provided as standard equipment.
- ⑤ The AquaTram™ PT lift shall be supplied with an adjustable, flip-up, blue High Density Polyethylene roto-molded foot rest supported by a Stainless Steel support.
- ⑥ The lift shall be powered by a integrated 24VDC battery/control box. The lift shall be self operable by use of the two buttoned hand held remote. Each lift shall be furnished with one battery/control box and one charging chord.
- ⑦ A safety flag shall be affixed to the transport cart to prevent the lift from being used while in transport mode.
- ⑧ A 18" wide, blue High Density Polyethylene roto-molded seat shall be provided. The seat shall be easily removed without the use of tools allowing the lift to pass through a standard 36" wide doorway.

Options/Accessories

ID Number	Description
11280	AquaTram™PT Lift
11285	Protective Cover, AquaTram and LT
11287	AquaTram™ PT Upgrade Package*

*Includes cover, headrest, chest strap, and extra integrated battery/ control box

The data represents the latest knowledge available to us at time of presentation. However, Pentair and others involved in gathering and presenting this drawing assume no liability for its use.



Pentair Water
Commercial Pool and Aquatics™

1620 Hawkins Avenue
Sanford, NC 27330
Phone: 800-831-7133
Fax: 800-284-4151
www.pentairpool.com

Drawn by: JMM	Date: 12/20/11	Approved by:	Date:
Sheet Title: AquaTram PT Access Lift		Revision Letter:	Sheet: 2 of 2
Drawing Number: SS-AL09.40			