

Econoline 1 Meter Stand



A durable, all-purpose diving tower for commercial aquatic facilities.

- Made of carbon steel, primed and ready for a high-quality acrylic urethane enamel paint
- Pair with 12' or 14' diving boards
- Platform tray has two 6" slots for proper fulcrum placement and adjustment
- 1.90" OD, .065" wall stainless steel handrails are not included but are required

Compatible with:



Frontier III Commercial (12' + 14')



Swim Club (12' + 14')



Eureka (14')



Olympian (12' + 14')

Stand Model No.	Board Size	Shipping			
		Weight	Length	Width	Height
E-CAT-1M-100	12'	315 lbs (2 boxes)	86"	21"	59"
	3.66m	143kg	27"	4"	4"
E-CAT-1M-101	14'	365 lbs (2 boxes)	92"	21"	59"
	4.27m	166kg	27"	4"	4"
25-106 Handrails & Hardware (order separately)		48 lbs	68"	35"	2"
25-106A Handrail Only		22kg	173cm	89cm	5cm
		48 lbs	68"	35"	2"
		22kg	173cm	89cm	5cm

Notes:

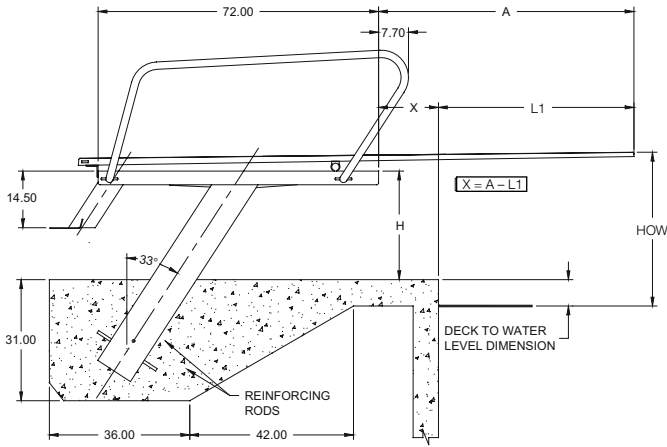
- Diving Boards and Towers are sold separately.
- Not recommended for salt pools
- Ships on a pallet

All installations must comply with all applicable local and national codes and installation must be completed in accordance with S.R.Smith installation instructions

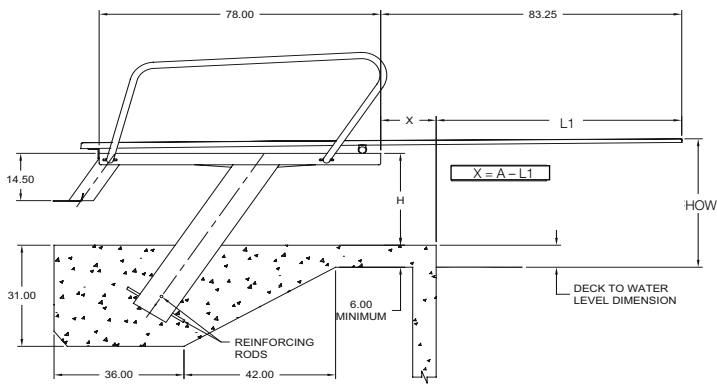
Parts & Hardware:

- 6-621 Plastic Non-skid Adhesive Back, black

E-CAT-IM-100

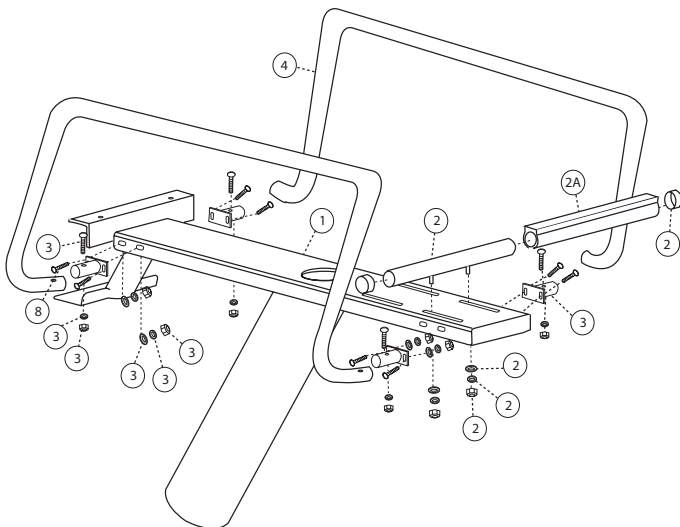


E-CAT-IM-101



Installation Dimensions

Model	Type	Length	Fulcrum	Board (A)	Maximum Height of Stand Above Deck, (H)	Minimum Overhang, (L1)
E-CAT-1M-100	VII	12'	62"	65 1/2"	H = 34"- Deck to Water Level	36"
E-CAT-1M-101	VIII	14'	74"	83 1/2"	H = 34"- Deck to Water Level	48'



Key	Part No.	Description
1	E-CAT-1M-100A	E-CAT-100 Stand
1	E-CAT-1M-101A	E-CAT-101 Stand
2	25-105	Fulcrum Assembly
2A	FC-100A	Fulcrum Pad
3	25-200	Handrail Bracket Kit
4	25-106A	Handrails