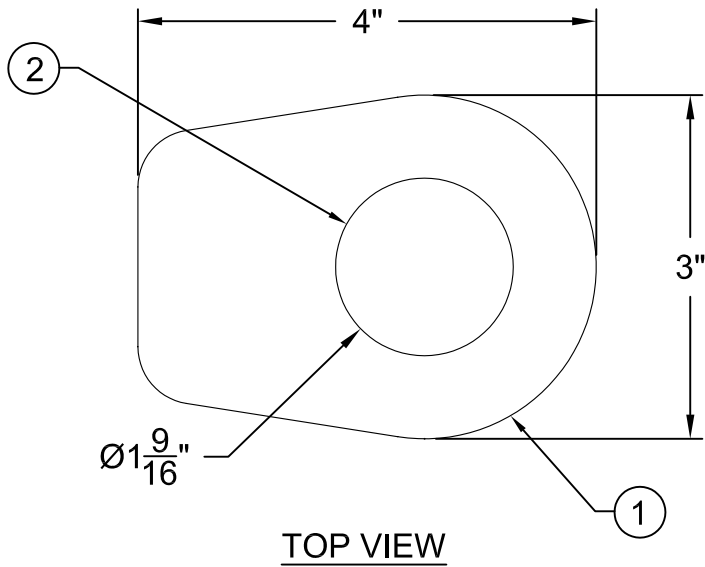
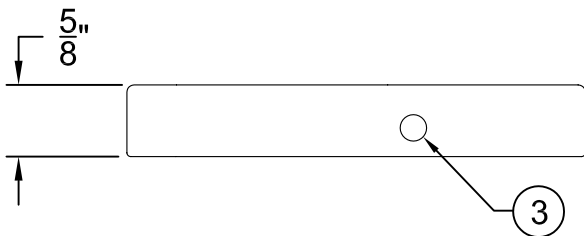
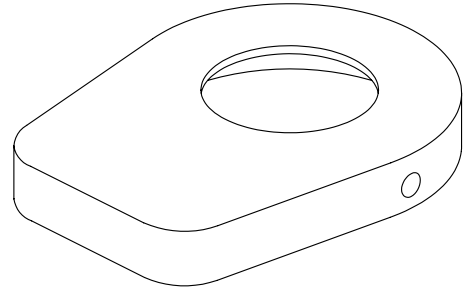


# Deluxe Escutcheon Plate for 1.50" OD



TOP VIEW



SIDE VIEW

Part Number: **28303SS**

## Specifications

- ① Deluxe Escutcheon Plate shall be made of cast stainless steel with an electropolished finish.
- ② Center hole shall accommodate pipe with a 1.50" outer diameter and be sized to be used with Paragon bronze wedge anchor (ID# 28105) or Paragon stainless steel 6" deep wedge anchor (ID#28105SS), not included.
- ③ A set screw shall be provided to secure the escutcheon plate to the rail.

The data represents the latest knowledge available to us at time of presentation. However, Paragon Aquatics and others involved in gathering and presenting this drawing assume no liability for its use.



**PARAGON  
AQUATICS**  
Pentair Water  
Commercial Pool & Aquatics

1351 Route 55  
LaGrangeville, New York  
12540  
Phone: 845-463-7200  
Fax: 845-463-7291  
www.paragonaquatics.com

Drawn by: RV Date: 7/30/09 Approved by: JMM Date: 7/30/09

Sheet Title: Deluxe Escutcheon Plate for 1.50" OD

Drawing Number: SS-AA20.93

Revision Letter: A

Sheet: 1 of 1