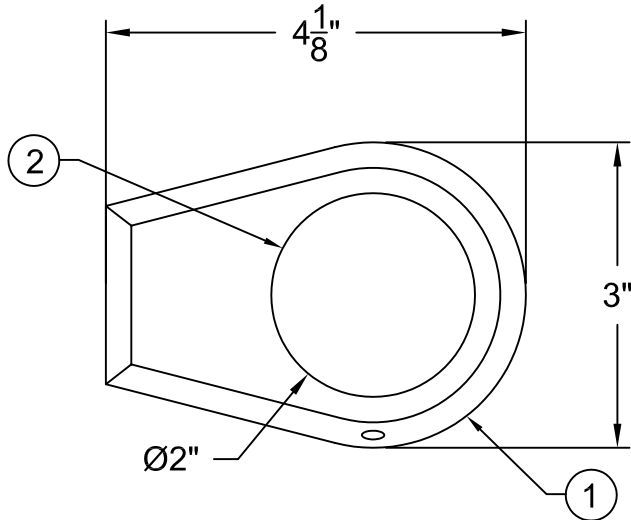
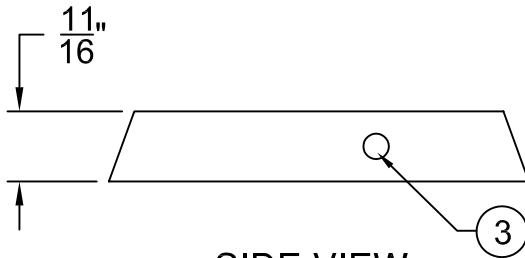


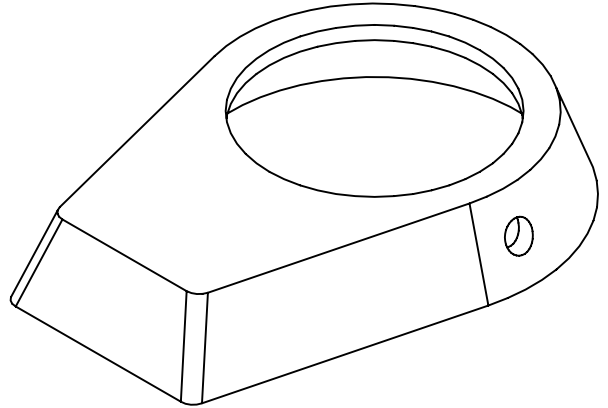
Deluxe Escutcheon Plate for 1.90" OD



TOP VIEW



SIDE VIEW



Part Number: **28301**

Specifications

- ① Deluxe Escutcheon Plate shall be made of chrome-plated cast bronze.
- ② Center hole shall accommodate pipe with a 1.90" outer diameter and be sized to be used with Paragon bronze wedge anchor (ID# 28102), not included.
- ③ A set screw shall be provided to secure the escutcheon plate to the rail.

The data represents the latest knowledge available to us at time of presentation. However, Paragon Aquatics and others involved in gathering and presenting this drawing assume no liability for its use.



**PARAGON
AQUATICS**

Pentair Water
Commercial Pool & Aquatics

1351 Route 55
LaGrangeville, New York
12540
Phone: 845-463-7200
Fax: 845-463-7291
www.paragonaquatics.com

Drawn by: RV Date: 6/27/08 Approved by: SAW Date: 6/27/08

Sheet Title: Deluxe Escutcheon Plate for 1.90" OD

Drawing Number: SS-AA20.90

Revision Letter: A

Sheet: 1 of 1