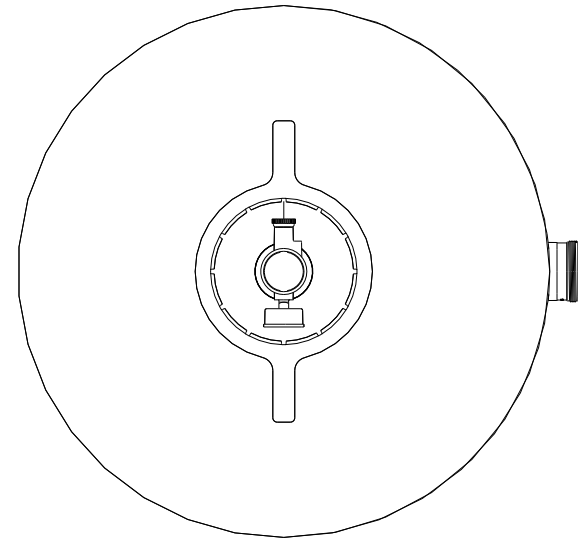


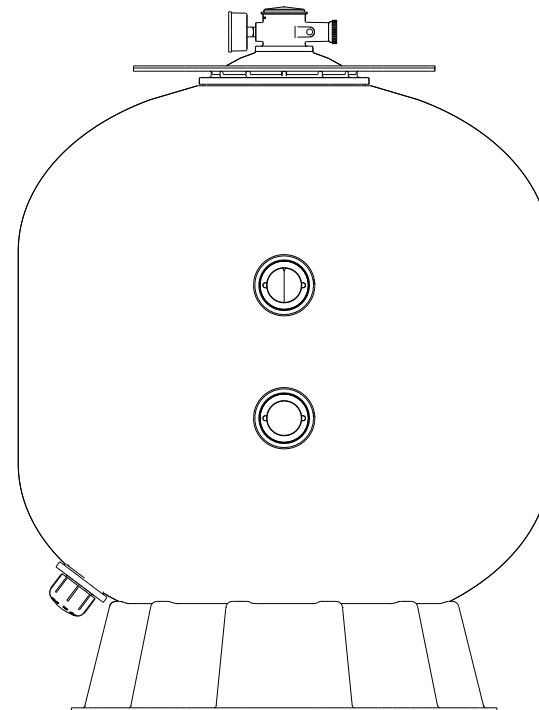
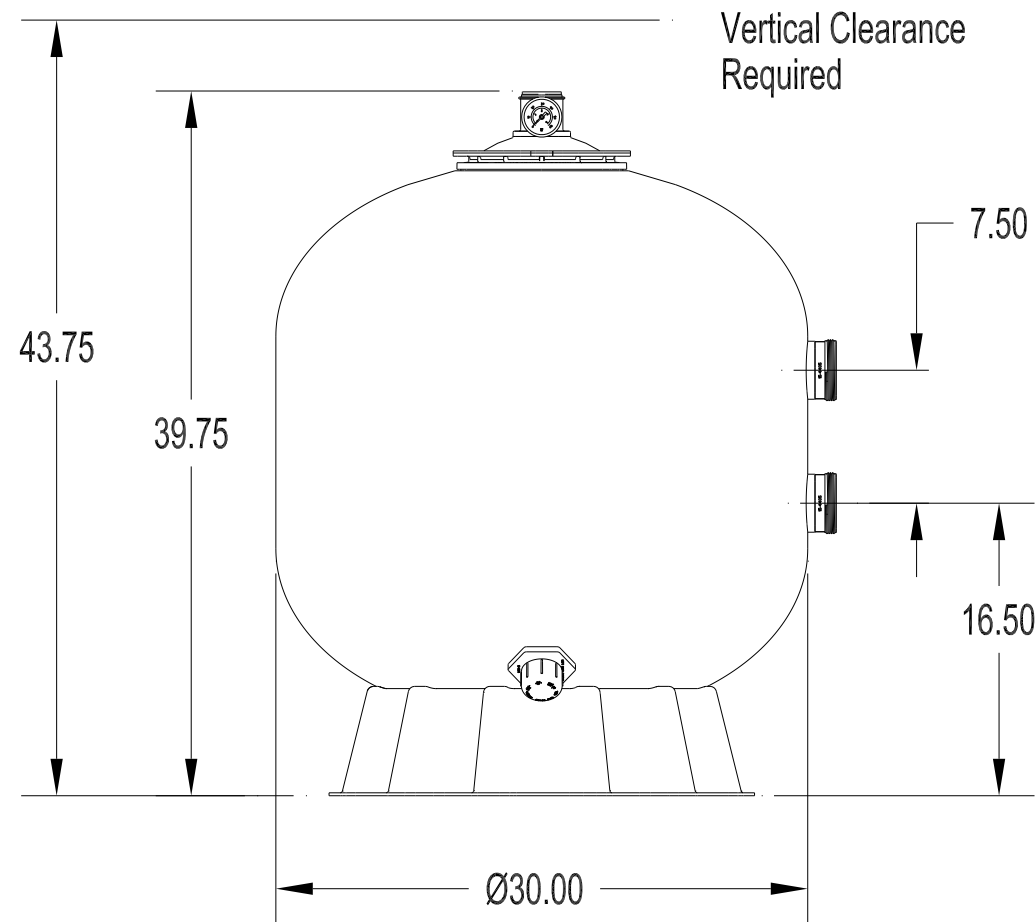
THE INFORMATION CONTAINED HEREON IS THE PROPERTY OF PENTAIR POOL PRODUCTS. NO PORTION OF THIS DATA SHALL BE RELEASED, DISCLOSED, USED, OR DUPLICATED FOR USE IN PROCUREMENT OR MANUFACTURING WITHOUT SPECIFIC WRITTEN PERMISSION FROM PENTAIR POOL PRODUCTS.

**COMPUTER GENERATED DOCUMENT
MANUAL CHANGES NOT ALLOWED.**

REVISIONS						
PCO	REV	DESCRIPTION	DATE	DR	CHK	APPR
	A	INITIAL RELEASE	08/19/04	NP	JH	RB



Technical Specification									
Filtration					Flow Rate				
Filter Area (Sq. Ft.)	Weight (lbs.)	All Sand (lbs.)	Filter Media (lbs.)		Flow Rate (GPM)		Turn Over Capacity (Gallons)		
			Pea Gravel	Sand	15 GPM/ Sq. Ft.	20 GPM/ Sq. Ft.	8 hrs.	10 hrs.	12 hrs.
4.91	65	600	150	450	74	98	47040	58800	70560



ITEM	QTY.	PART NUMBER	NAME OR DESCRIPTION
PARTS LIST			
		UNLESS OTHERWISE SPECIFIED: DIMENSIONS ARE IN INCHES TOLERANCES: .XX +.02 .XXX +.010 X/X + 1/64 ANGULAR ± 1° REMOVE ALL BURRS & SHARP EDGES .005 TO .010 DIAMETERS TO BE CONCENTRIC WITHIN TIR	
NEXT ASSY		USED ON	
APPLICATIONS		MATL:	
		DO NOT SCALE DRAWING	
		SIGNATURES	
		DATE	
		DRAWN	NP 08/19/04
		CHK	JH 08/19/04
		TOOL ENGR	
		Q.C. MGR	
		PROJ ENGR	
		DEPT MGR	
		Pentair Pool Products 1620 Hawkins Ave. Sanford, N.C. 27330	
		TITLE TR 100C TANK ASSEMBLY	
SIZE	DWG NO.	PART NO.	REV.
B	TR 100C	TR 100C	A
SCALE	NTS	RLSE DATE	SHEET 1 OF 1

NOTES: UNLESS OTHERWISE SPECIFIED.