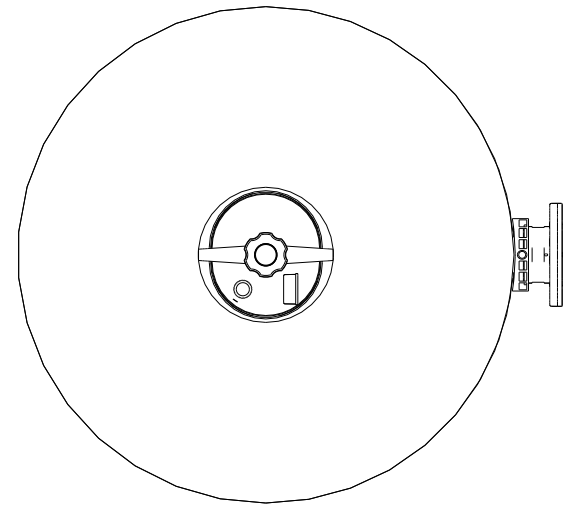


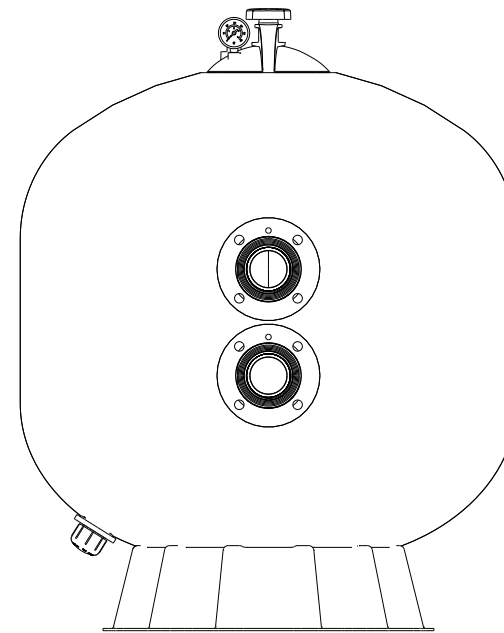
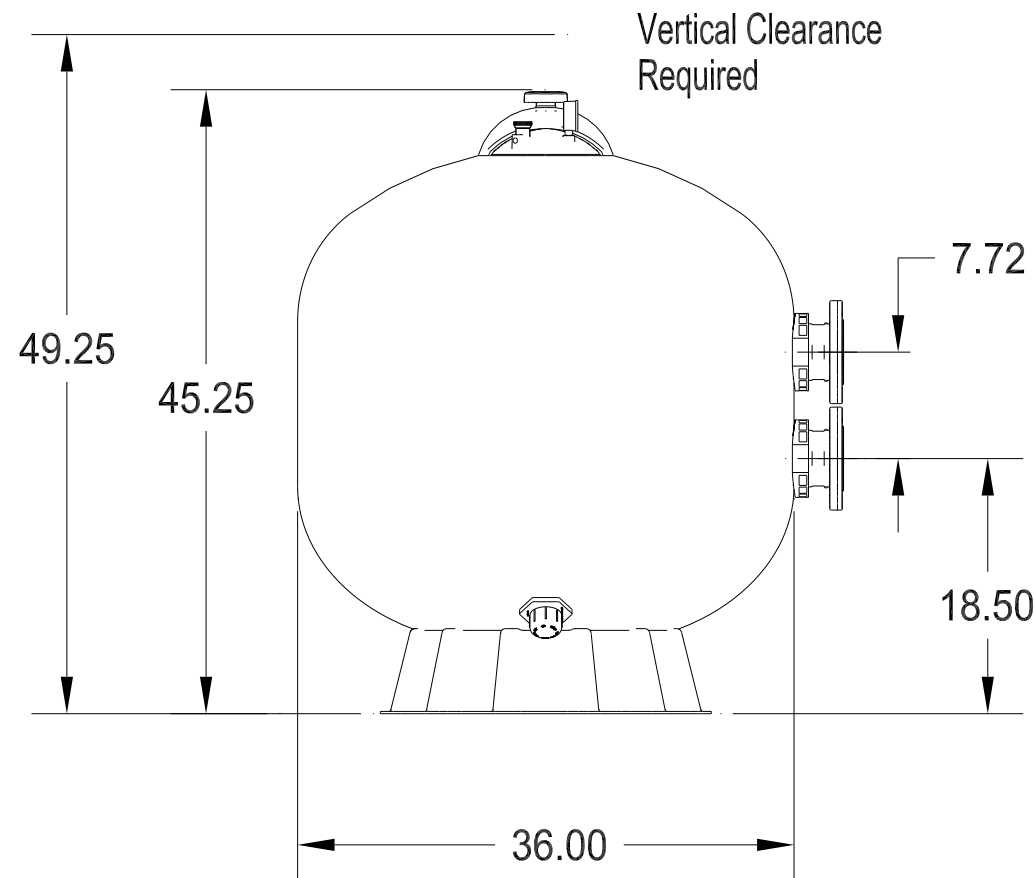
THE INFORMATION CONTAINED HEREON IS THE PROPERTY OF PENTAIR POOL PRODUCTS. NO PORTION OF THIS DATA SHALL BE RELEASED, DISCLOSED, USED, OR DUPLICATED FOR USE IN PROCUREMENT OR MANUFACTURING WITHOUT SPECIFIC WRITTEN PERMISSION FROM PENTAIR POOL PRODUCTS.

**COMPUTER GENERATED DOCUMENT
MANUAL CHANGES NOT ALLOWED.**

REVISIONS						
PCO	REV	DESCRIPTION	DATE	DR	CHK	APPR
	A	INITIAL RELEASE	09/13/04	NP	JH	RB



Technical Specification									
Filtration					Flow Rate				
Filter Area (Sq. Ft.)	Weight (lbs.)	All Sand (lbs.)	Filter Media (lbs.)		Flow Rate (GPM)		Turn Over Capacity (Gallons)		
			Pea Gravel	Sand	15 GPM/ Sq. Ft.	20 GPM/ Sq. Ft.	8 hrs.	10 hrs.	12 hrs.
7.06	82	925	275	650	106	141	67680	84600	101520



NOTES: UNLESS OTHERWISE SPECIFIED.

ITEM	QTY.	PART NUMBER	NAME OR DESCRIPTION			
PARTS LIST						
UNLESS OTHERWISE SPECIFIED: DIMENSIONS ARE IN INCHES TOLERANCES: .XX +.02 .XXX +.010 X/X + 1/64 ANGULAR ± 1° REMOVE ALL BURRS & SHARP EDGES .005 TO .010 DIAMETERS TO BE CONCENTRIC WITHIN TIR			DO NOT SCALE DRAWING		Pentair Pool Products 1620 Hawkins Ave. Sanford, N.C. 27330	
			SIGNATURES			DATE
			DRAWN	NP	09/13/04	TITLE TR140C-3 TANK ASSEMBLY
			CHK	JH	09/13/04	
			TOOL ENGR			
			Q.C. MGR			
			PROJ ENGR			SIZE B
			DEPT MGR			DWG NO.
NEXT ASSY		USED ON				PART NO. TR140C-3
						REV. A
APPLICATIONS		MATL:				SCALE NTS
						RLSE DATE
						SHEET 1 OF 1