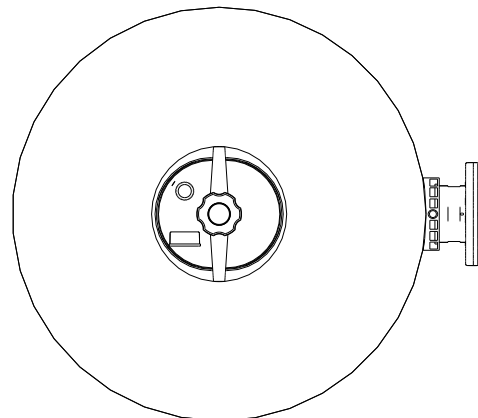


THE INFORMATION CONTAINED HEREON IS THE PROPERTY OF PENTAIR POOL PRODUCTS. NO PORTION OF THIS DATA SHALL BE RELEASED, DISCLOSED, USED, OR DUPLICATED FOR USE IN PROCUREMENT OR MANUFACTURING WITHOUT SPECIFIC WRITTEN PERMISSION FROM PENTAIR POOL PRODUCTS.

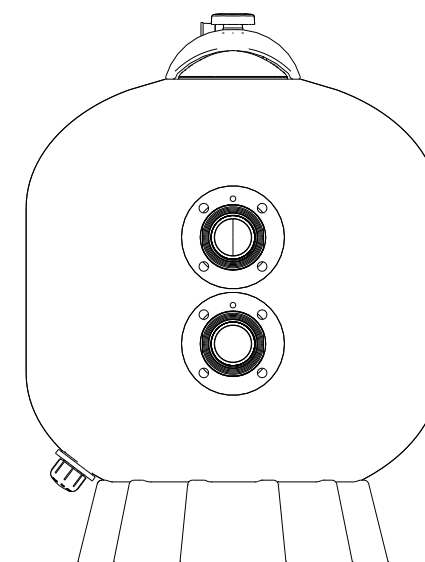
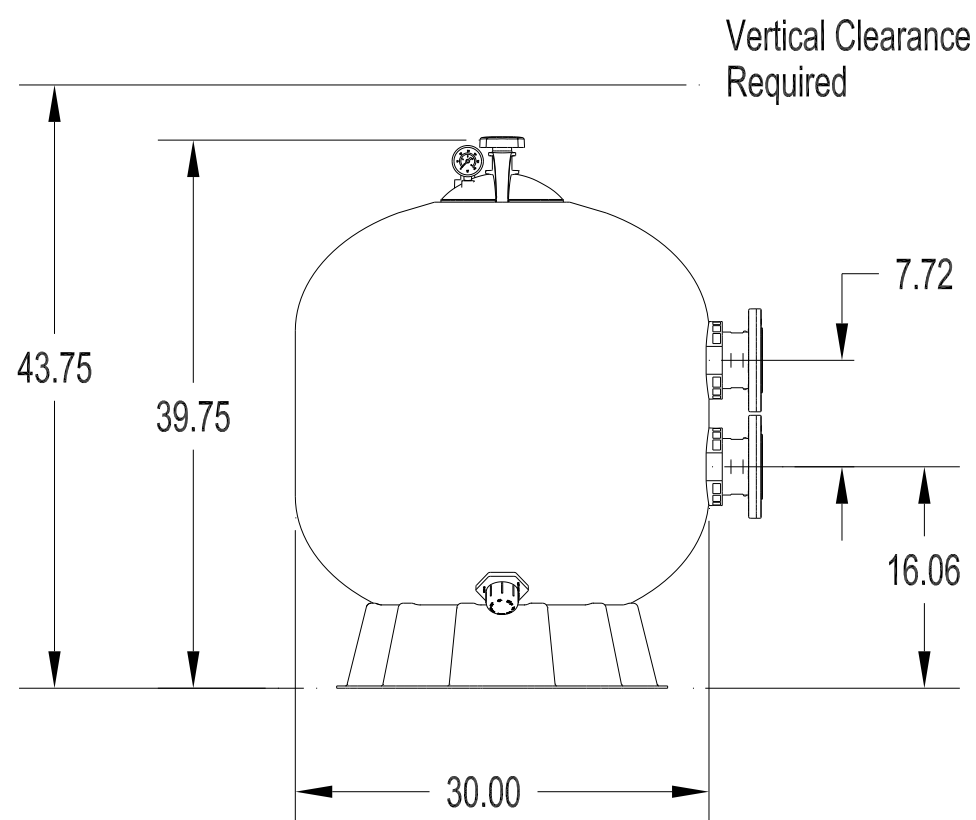
**COMPUTER GENERATED DOCUMENT  
MANUAL CHANGES NOT ALLOWED.**

REVISIONS

PCO	REV	DESCRIPTION	DATE	DR	CHK	APPR
	A	INITIAL RELEASE	09/13/04	NP	JH	RB



Technical Specification									
Filtration					Flow Rate				
Filter Area (Sq. Ft.)	Weight (lbs.)	All Sand (lbs.)	Filter Media (lbs.)		Flow Rate (GPM)		Turn Over Capacity (Gallons)		
			Pea Gravel	Sand	15 GPM/ Sq. Ft.	20 GPM/ Sq. Ft.	8 hrs.	10 hrs.	12 hrs.
4.91	65	600	150	450	74	98	47040	58800	70560



NOTES: UNLESS OTHERWISE SPECIFIED.

ITEM	QTY.	PART NUMBER	NAME OR DESCRIPTION
<b>PARTS LIST</b>			
UNLESS OTHERWISE SPECIFIED: DIMENSIONS ARE IN INCHES TOLERANCES: .XX +.02 .XXX +.010 X/X + 1/64 ANGULAR ± 1° REMOVE ALL BURRS & SHARP EDGES .005 TO .010 DIAMETERS TO BE CONCENTRIC WITHIN TIR			
NEXT ASSY		USED ON	
APPLICATIONS		MATL:	
DO NOT SCALE DRAWING			
SIGNATURES		DATE	
DRAWN	NP	09/13/04	
CHK	JH	09/13/04	
TOOL ENGR			
Q.C. MGR			
PROJ ENGR			
DEPT MGR			
SIZE	DWG NO.	PART NO.	REV.
B		TR100C-3	A
SCALE	NTS	RLSE DATE	SHEET 1 OF 1



Pentair Pool Products  
1620 Hawkins Ave.  
Sanford, N.C. 27330

TITLE  
**TR100C-3  
TANK ASSEMBLY**