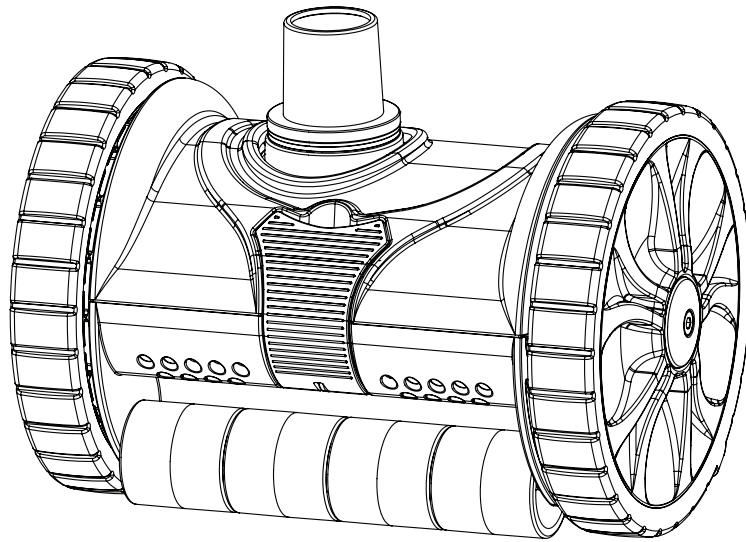




'LIL REBEL™

ABOVEGROUND SUCTION-SIDE POOL CLEANER



INSTALLATION AND USER'S GUIDE

IMPORTANT SAFETY INSTRUCTIONS
READ AND FOLLOW ALL INSTRUCTIONS
SAVE THESE INSTRUCTIONS

CUSTOMER SERVICE / TECHNICAL SUPPORT

If you have questions about ordering Pentair Aquatic Systems® replacement parts and pool products, please contact:

Customer Service and Technical Support, USA

(8 A.M. to 5 P.M. — Eastern/Pacific Times)

Phone: (800) 831-7133

Fax: (800) 284-4151

Web site

Visit www.pentairpool.com*

Sanford, North Carolina (8 A.M. to 5 P.M. ET)

Phone: (919) 566-8000

Fax: (919) 566-8920

Moorpark, California (8 A.M. to 5 P.M. PT)

Phone: (805) 553-5000 (Ext. 5591)

Fax: (805) 553-5515

TABLE OF CONTENTS

Important Warning and Safety Instructions	ii	Maintenance	7
Pool Preparation	1	Removing Debris from Turbine	7
Cleaner Components	1	Tire Replacement	8
Assembling the Cleaner	2	Troubleshooting	9
Hose Assembly	2	Replacement Parts	10
Installing the Cleaner	3		
Standard Installation	3		
Adjusting Flow by Calculating Cleaner RPM	4		
Adjusting Flow Using the Optional Flow Gauge	4		
Cleaner Adjustments and Operation	5		
Hose Length	5		
Return Line Water Flow	6		
Installing the Eyeball Diverter	6		
Eyeball Diverter Positions	6		

* Translated versions of this manual are available online at / La versión en español de este manual del producto, se puede encontrar en línea a / La version française de ce manuel est disponible à : <https://pentairpool.com/en/products/cleaners/pentair%20lil%20rebel%20suction-side%20aboveground%20pool%20cleaner>

IMPORTANT WARNING AND SAFETY INSTRUCTIONS



Important Notice:

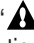
Attention Installer: This guide contains important information about the installation, operation and safe use of this product. This information should be given to the owner and/or operator of this equipment after installation of the pool cleaner.

Attention User: This manual contains important information that will help you in operating and maintaining this pool cleaner. Please retain it for future reference. Consult Pentair with any questions regarding this equipment.

WARNING

Before installing this product, read and follow all warning notices and instructions which are included. Failure to follow safety warnings and instructions can result in severe injury, death, or property damage. Call (800) 831-7133 for additional free copies of these instructions.

Consumer Information and Safety

This pool cleaner is designed and manufactured to provide many years of safe and reliable service when installed, operated and maintained according to the information in this manual. Throughout the manual, safety warnings and cautions are identified by the “” symbol. Be sure to read and comply with all of the warnings and cautions.

WARNING

HAZARDOUS SUCTION.

Do not play with cleaner or hose or apply to body. Can trap and tear hair or body parts. Hose can trip or entangle swimmers which could result in drowning.



WARNING

SUCTION ENTRAPMENT, INJURY, AND DROWNING HAZARD. If your pool has a dedicated suction port (“vac port”) for vacuuming or for an automatic pool cleaner, it must be covered when not in use. A spring loaded safety cover (a “vac port fitting”) is included with your cleaner. Install it on the suction port to prevent entrapment and injury. If the cover provided does



not fit, purchase one that does from your local pool store and install it instead. The cover should conform to IAPMO SPS4-99A.

WARNING

Stop pump before attempting to clean unit. Do not allow swimmers in pool while pool cleaner is operating.

WARNING

To reduce the risk of injury, do not let children use or play with pool cleaner.

WARNING

Do not allow swimmers in the pool while pool cleaner is operating. Hose can trip or entangle swimmers which could result in drowning.

CAUTION

Moving parts may injure hands or fingers. Stop pump before attempting to clean out pool cleaner head.



General Installation Information

Pre-Installation Check List

Before installing your cleaner, review and understand all warnings and safety information in this guide. Failure to follow these instructions or improper installation of the cleaner can result in damage to the pool finish or the vinyl liner, Pentair Water Pool and Spa, Inc. disclaims any liability for repairs or replacement to any of these structures or components of the customer’s pool.

Before installing the cleaner in a vinyl liner pool:

Check liner closely for signs of deterioration or damage from age, chemicals, pool wall damage, etc. If any damage is found, have a qualified pool professional make all the necessary repairs. Also, if there are stones, roots, etc., under the liner, remove them before installing the cleaner.

Before installing the cleaner in a gunite pool or a pool that is partially or completely tiled:

Repair loose tiles and tighten any loose light rings.

Before installing the cleaner, clean your filter system:

Make sure you have cleaned the filter, including backwashing, rinsing, and emptying all baskets. A clean system is necessary for proper cleaner operation and coverage.

Before installing the cleaner, understand cleaner coverage:

The cleaner is designed to rid your pool of debris in approximately 4-6 hours. Less time could be needed, depending on the pool size. The cleaner was not designed to automatically clean steps or swimouts or to work under a solar cover. It was also not designed to do initial cleanup for a new pool or when opening your pool for the season.

AFTER installing the cleaner, make sure the cleaner is operating correctly:

The cleaner may need some minor adjustments to make sure it is operating properly so there is no damage to the pool finish. Certain vinyl liner patterns are particularly susceptible to surface wear, pattern removal, ink rubbing off of, or serious scratches to the pattern caused by objects coming into contact with the vinyl surface, including automatic pool cleaners. Pentair Water Pool and Spa, Inc. is not responsible for any pattern removal, abrasions or markings on vinyl liners.

Warnings and safety instructions for Pentair Water Pool and Spa, Inc. pumps and other related products are available at: <http://www.pentairpool.com/pool-owner/safety-warnings/> or call (800) 831-7133 for additional free copies of these instructions.

Please refer to <http://www.pentairpool.com/pool-owner/safetywarnings/> for warning and safety instructions related to this product.

IMPORTANT WARNING AND SAFETY INSTRUCTIONS

Disclaimer of Liability About your Pool and Cleaner

There are a multitude of factors that contribute to the life of your pool. The pool cleaner is a very passive product that will have no impact on pool life.

Please be aware that over time, deterioration, discoloration and brittleness of any pool finish can be caused separately by, or in combination with, age, an imbalance in pool water chemistry, improper installation and other factors. Suction side pool cleaners, such as the pool cleaner, will not remove or cause wear on "good" pool plaster. In fact, the opposite is true—pool plaster will eventually cause wear on the cleaner.

The same situation holds true for vinyl-lined in-ground swimming pools, because vinyl liners are also affected by the environment and factors such as pool water chemistry, sunlight and the pool's surroundings. Therefore over time, vinyl can become brittle and weak. In addition, vinyl-lined pools are affected by the workmanship, composition and installation of the liner and the workmanship and quality of construction of the supporting walls and pool base. These are all factors which can contribute to liner failure. The existence of any of these type of conditions in your pool is not caused by the use or operation of the pool cleaner. The manufacturer disclaims any liability for repairs or replacement to any of these structures or components of the customer's pool.

The pool owner must assume all responsibility for the condition and maintenance of the pool's surface, water and deck.

Before the cleaner is installed, please take a moment to record the serial number. This number is located under the rear handle of your cleaner. You will be asked for this number when you contact our Technical Support Department.

SERIAL # _____

SAVE THESE INSTRUCTIONS

POOL PREPARATION

Pool Preparation

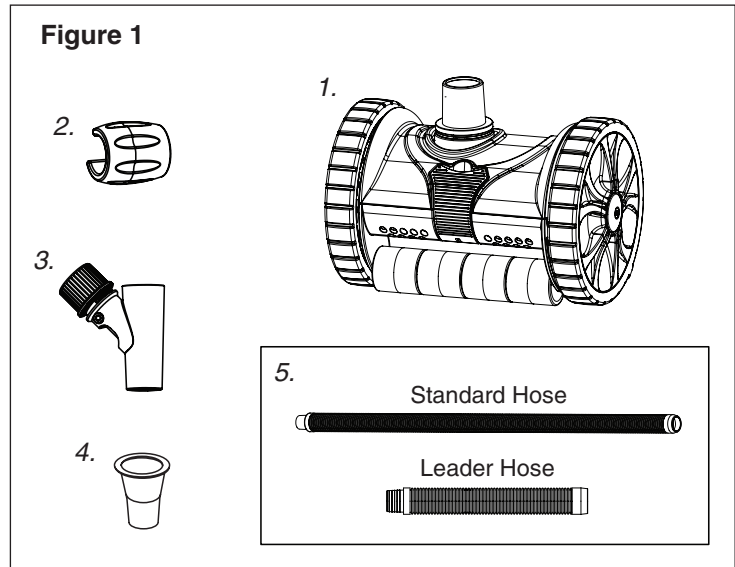
Before installing the 'Lil Rebel™ Aboveground Suction-Side Pool Cleaner, your pool should be clean and algae-free so as to not inhibit the cleaner's traction. If necessary, make the following preparations before proceeding:

1. Chemically balance the pool water.
2. Brush pool and let the debris settle.
3. Hand vacuum thoroughly.
4. Clean filter and pump strainer basket.

Cleaner Components

Remove the cleaner and all parts from the box. Check to be sure all components are included.

1. Cleaner Body
2. Hose Float
3. Regulator Valve
4. Reducer Cone
5. Hose Set – 13 Sections
 - 12 Standard Male/Female Hoses
 - 1 Leader Hose



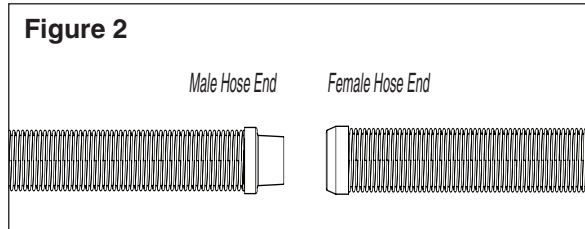
ASSEMBLING THE CLEANER

The 'Lil Rebel™ Aboveground Suction-Side Pool Cleaner body is shipped as one piece, making cleaner assembly a simple and quick process.

Hose Assembly

For best results and to maintain proper operation, use only original Pentair parts and hoses.

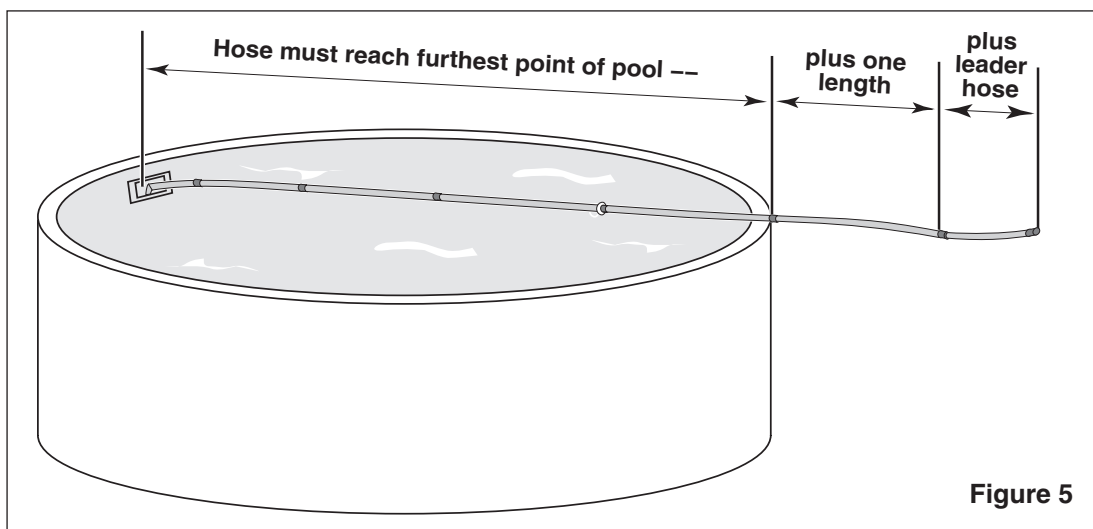
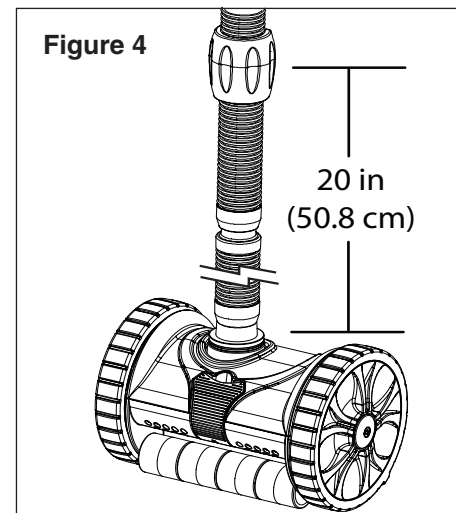
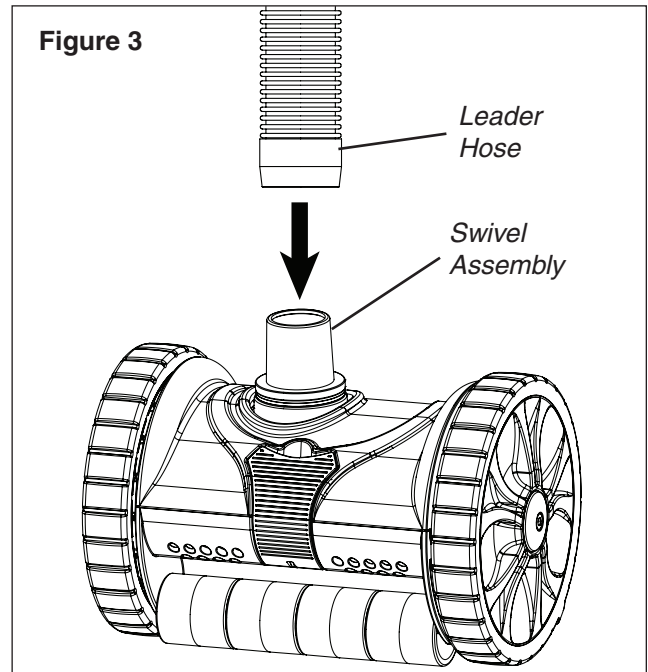
1. To connect the hose sections, wet the ends in the pool water, then twist and push the female ends onto the male ends.



2. Connect the leader hose to the cleaner swivel. See **Figure 3**.

Note: The leader hose is 12 inches (30.5 cm) in length and shorter than the other sections included in the hose set. The leader hose is also marked with a red sticker. Failure to use this leader hose section will hinder cleaner performance

3. The hose should reach from the suction port connection to the farthest point of the pool, plus one section and the leader hose. See **Figure 5**.
4. Install the hose float onto the second length of hose. The float should be placed 20 inches (50.8 centimeters) above the cleaner. See **Figure 4**.
5. Make sure that all connections are snug.
6. The overall length of hose needed will be determined by the distance from the point at which you attach the hose to the suction port to the furthest point in the pool, plus one length and the leader hose. See **Figure 5**.



INSTALLING THE CLEANER

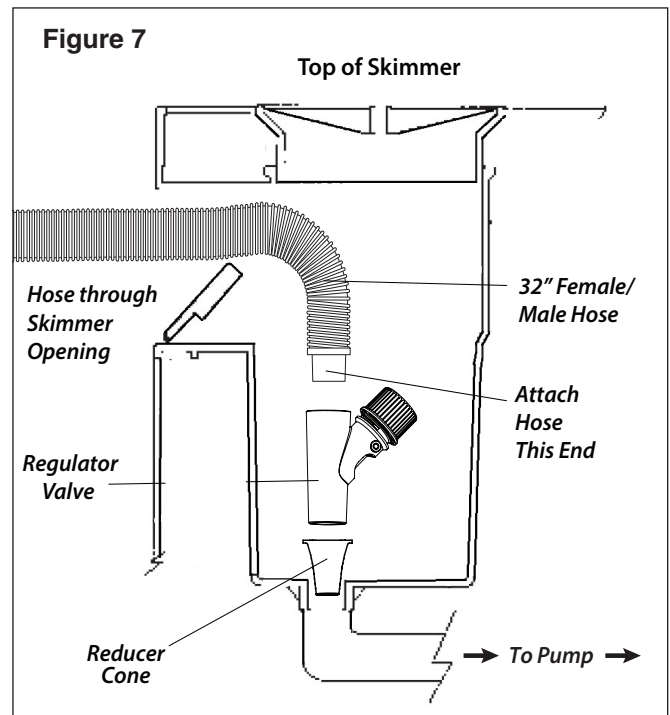
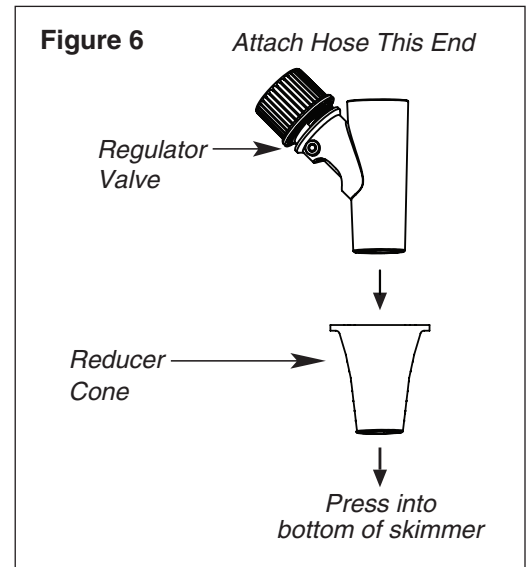
Standard Installation

The 'Lil Rebel™ Aboveground Suction-Side Pool Cleaner is designed to work in a wide variety of swimming pools. The standard in-skimmer installation is covered in this section.

1. Turn the pool pump off.
2. Close the main drain and all suction lines, except the line from the skimmer to which the cleaner will be connected.
3. Remove skimmer basket.
4. Install the reducer cone into the vacuum connection in the bottom of the skimmer. See **Figure 7**.
5. Press the regulator valve into the compression adapter. The valve's adjustment knob should be pointing up. See **Figure 6**.
6. Place cleaner into the pool. Turn it side to side and front to back to release any trapped air, allowing the cleaner to sink to the floor of the pool. Continue to feed the hose vertically down into the pool until it is completely filled with water and purged of air.

Note: If air is pulled into the pool plumbing it may cause your pump to lose prime.

7. Insert the end of the hose through the skimmer opening and connect the hose directly into the regulator valve. See **Figure 7**.



Adjusting Flow by Calculating Cleaner Speed (RPM)

1. While the cleaner is running, bring the cleaner up to just beneath the pool's water surface.

Note: Be sure to keep the cleaner submerged while the pump is operating. This prevents the cleaner from pulling air into the pool system.
2. Count the number of full rotations made by the wheel over a period of one minute. The number of rotations will give you the revolutions per minute; or RPM's. An easy way to be sure you are counting full rotations is by counting the number of times the wheel hump passes by the swivel assembly.
3. For proper performance, the 'Lil Rebel cleaner operates between 18-26 RPM.

If the RPM is below 18 adjust the regulator valve (rotate adjustment knob clockwise) and repeat steps 1-2 until the RPM falls back into the optimal range.

If the RPM is higher than 26 adjust the regulator valve (rotate adjustment knob counterclockwise) and repeat steps 1-2 until the RPM falls back into the optimal range.

Adjusting Flow Using the Optional Flow Gauge

The flow gauge does not come standard with the cleaner. However, a flow gauge (P/N 360465) can be purchased separately from www.pentairpool.com.

1. Turn the pool pump off.
2. Disconnect the 'Lil Rebel™ Aboveground Suction-Side Cleaner from the leader hose and connect the flow gauge.

Note: Make sure the hose remains submerged to prevent suction of air.
3. Turn the pump on.
4. Turn the regulator valve adjustment knob clockwise to increase flow or counterclockwise to decrease flow, until the disc indicator in the flow gauge settles between "Maximum" and "Minimum" flow. See **Figure 8**.
5. Turn the pool pump off and remove the flow gauge and reconnect the cleaner.
6. Lower the cleaner in to the pool and allow it to drop to the pool floor.
7. Turn the pool pump on.

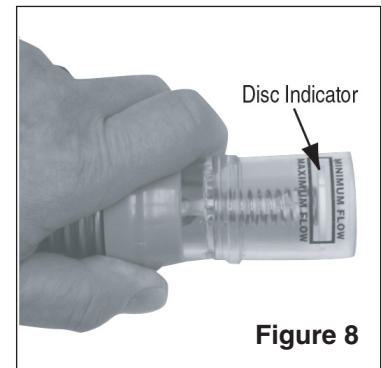


Figure 8

CLEANER ADJUSTMENTS AND OPERATION

CAUTION To prolong the life of the 'Lil Rebel™ Aboveground Suction-Side Pool Cleaner, the cleaner should be removed from the pool before any pool chemical treatment. Failure to do so can result in discoloration of the cleaner and deterioration of cleaner components.

After installation, turn the pool pump on. The cleaner should be moving about the pool at a rate of 22 to 30 feet per minute. Be sure to check each of the following initial adjustments.

Hose Length

Note: The pump must be on when you check the hose length. The hose contracts when the pump is operating and will be longer when the pump is off. Do not remove the cleaner from the pool while it is operating.

While the cleaner is operating:

1. Position cleaner at the furthest point of the pool from where it's attached. Use a pool pole and brush to easily position the cleaner in the pool.
2. The hose should be long enough to reach the end of the pool, plus one hose section and the leader hose. See **Figure 9**.
3. Remove any excess hose lengths from the middle of the hose assembly. This will ensure you do not alter the position of the hose float.
4. Save extra hose sections for use as needed for replacement.

Note: Turn pool pump off when adding or removing hose sections.

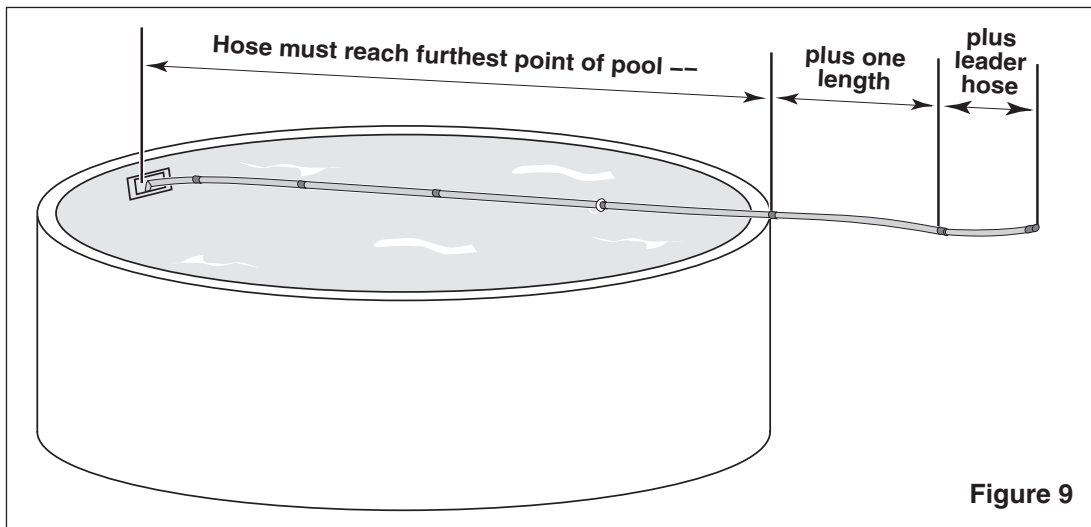


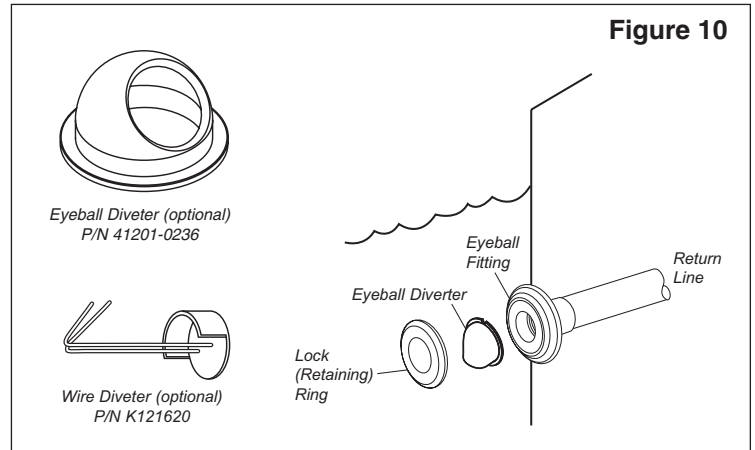
Figure 9

Return Line Water Flow

IMPORTANT: The water flow from your return line can push the 'Lil Rebel™ Aboveground Suction-Side Pool Cleaner's hose and affect its performance. It may cause the cleaner to steer away from the end of the pool where the return line is located, or it may cause your cleaner to remain in one section of the pool. To correct this, purchase the eyeball diverter (P/N 41201-0236) from your local pool professional. If the eyeball does not fit your pool, use the wire diverter. (P/N K121620) Wire diverter available for purchase from your local pool professional.

To install the eyeball diverter:

- First make sure your pool pump is off. Remove the original eyeball from the return line at the pool by unscrewing the lock ring.
- Replace the original eyeball with the eyeball diverter that came with your cleaner.
- Replace the lock ring and tighten. Make sure the opening of the eyeball diverter points in the proper direction before tightening fully.

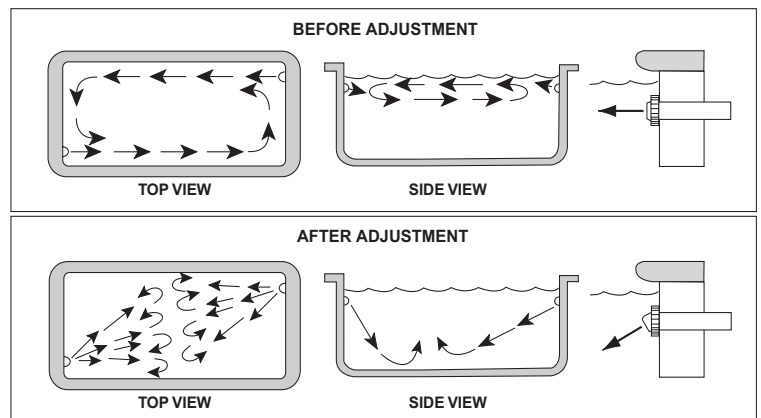


Eyeball Diverter Positions

Position the diverter opening to redirect the return line water flow so it does not interfere with the cleaner's movement. Try different positions to see which works best in your pool:

- flow directed along the side of pool (the tile line).
- flow directed downward.
- flow directed against the hose will help steer the cleaner away from obstructions such as stairs and ladders.

After installing the eyeball diverter, turn the pool pump on. The cleaner should begin moving across the pool floor vacuuming up debris in its path.



MAINTENANCE

The 'Lil Rebel™ Aboveground Suction-Side Pool Cleaner requires almost no maintenance. Visually inspect your cleaner from time to time to make sure that:

- The turbine is moving freely and is not obstructed by debris. See “Removing Debris from the Turbine” below.
- The tires are not excessively worn. See **Figure 15** on the next page.

We recommend that you leave the cleaner in your pool, except during chemical shock treatments.

- During swimming it is easy to unplug the cleaner and pull it to one side.
- When storing the cleaner, do not coil the hose. Lay the hose flat in an area protected from direct sunlight.

This cleaner's hose is specially designed to ensure optimum cleaner performance. Should replacement be required, insist on genuine Pentair cleaner hose.

Removing Debris from the Turbine

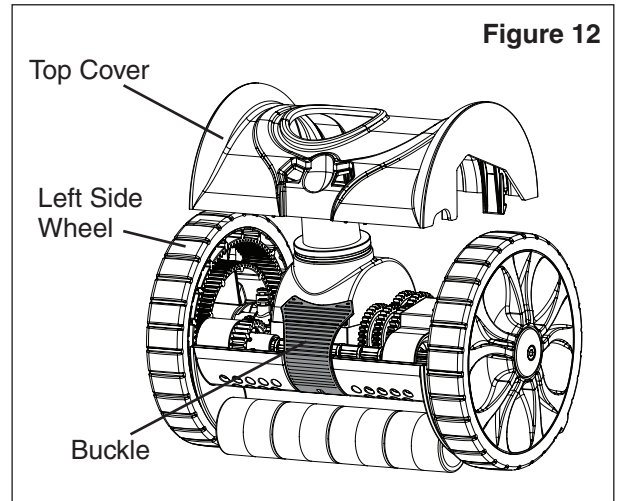
1. Be sure the pool pump is off. Remove the cleaner from the pool and disconnect the cleaner from the leader hose.
2. Check to see if anything is clogged inside the cleaner. Do this by positioning the cleaner with the buckle facing you and attempt to rotate the left-side wheel forward. If the wheel rotates smoothly there probably is no obstruction. If it won't rotate there is an obstruction.

3. Place the cleaner on a flat work surface. Open the buckle on the front of the cleaner by pulling it out and down.

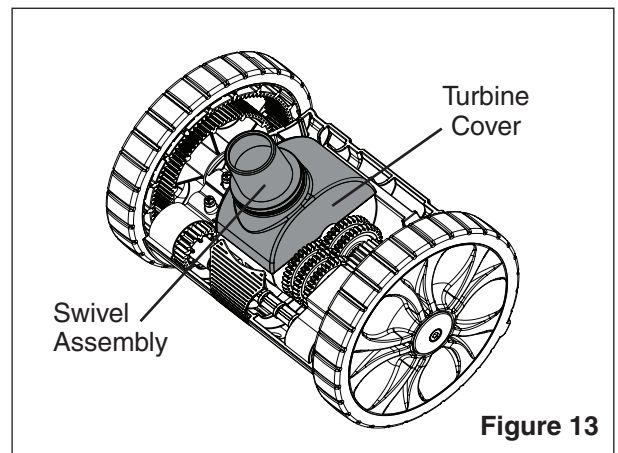
Lift the front of the top cover up and then firmly pull it forward. This will separate the top cover from the cleaner body and you will now be able to lift the top cover straight up from the cleaner body (see **Figure 12**). Set the cover aside.

Note: The top cover is designed to fit tightly so you may have to wiggle it a little.

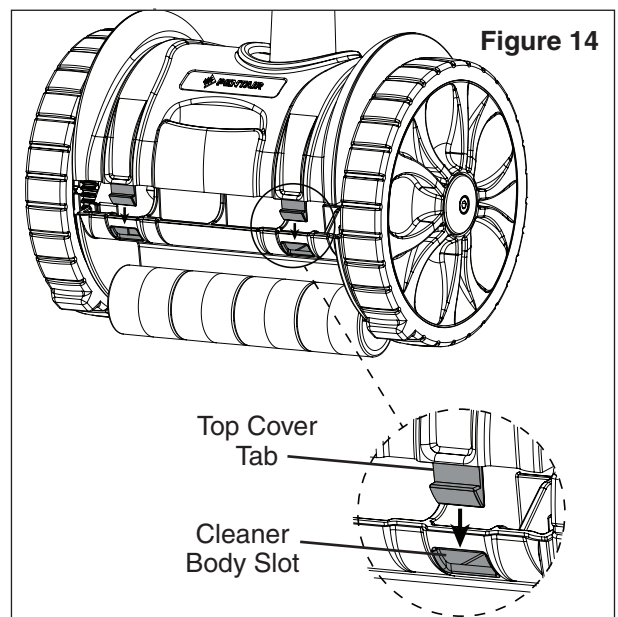
4. Pull the turbine cover straight up and off of the cleaner body. Set the turbine cover aside. See **Figure 13**.
5. Remove any visible obstructions from the turbine and turbine cover.
6. Replace the turbine cover with the swivel assembly oriented towards the front of the cleaner. See **Figure 13**.
7. Visually inspect the rest of the cleaner and remove any debris that may be in the gears, drive shafts, swivel assembly, etc.
8. Repeat **step 2 (turning the left wheel)** to insure that the cleaner runs smoothly.
9. Place the top cover over the swivel assembly.
10. Place the tabs on the back side of the top cover into the slots on the back side of the cleaner body (see **Figure 14**). Once these tabs are seated in the slots the front of the cover will fall into place.
11. Lock the top cover onto the cleaner body with the locking buckle on the front of the cleaner.



Removal of Top Cover



Swivel Assembly and Cleaner Internals



Cover Tabs and Corresponding Body Slots

Tire Replacement

After prolonged use it may become necessary to replace the 'Lil Rebel™ Aboveground Suction-Side Pool Cleaner's rubber tires. When the tire surface has worn into the tire's grooves the tire is in need of replacement. See **Figure 15**.

To remove the cleaner tire:

1. Turn the pool pump off and remove the cleaner from the pool.
2. Disconnect the cleaner from the leader hose.
3. Place the cleaner on a flat work surface and fold the tire off of the wheel from top to bottom.

Note: Remove the tire by hand. Using other objects (screwdrivers, Allen keys, etc.) to remove the tire may damage the wheel.

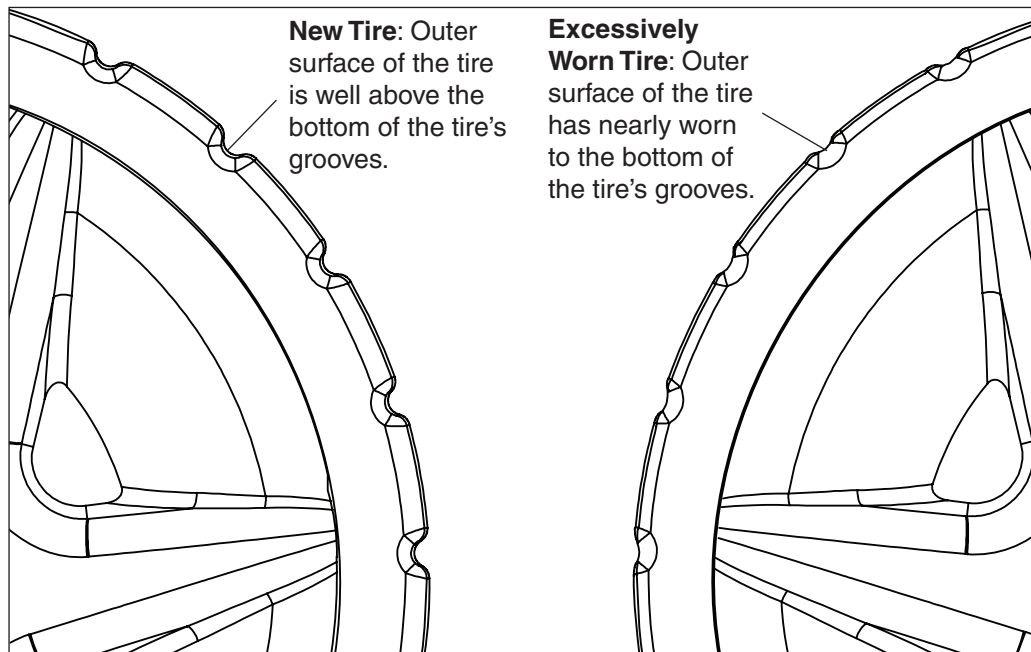


Figure 15: Tire Wear Comparison

To install the replacement tire:

1. Place the cleaner on a flat work surface and seat the top of the rubber tire onto the top of the wheel. Be sure that the back lip of the tire is resting flat on the inside edge of the wheel.

Note: Replace the tire by hand. Using other objects (screwdrivers, Allen keys, etc.) to replace the tire may damage the wheel.

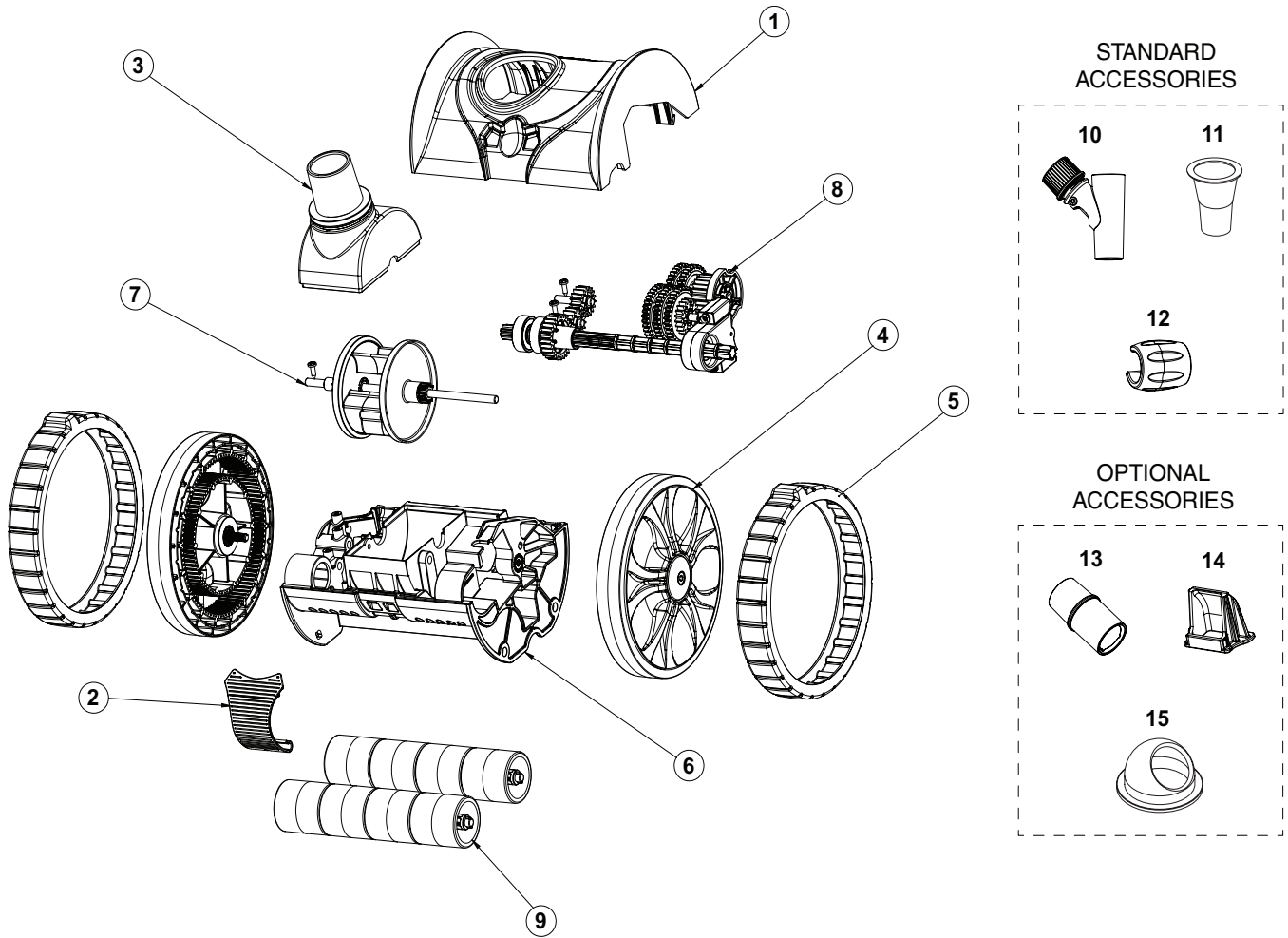
2. Stretch the bottom of the tire over the bottom of the wheel. Be sure that the back lip of the tire is resting flat on the inside edge of the wheel.
3. Fold the back lip of the tire onto the back of the cleaner wheel along the entire cleaner wheel. The tire should lie flat on the top surface of the wheel.

TROUBLESHOOTING

Because of the individual characteristics of your pool, some additional adjustments may be required to get the best performance from your 'Lil Rebel™ Aboveground Suction-Side Pool Cleaner. Use the following information to resolve possible issues.

PROBLEM	CORRECTIVE ACTION
Cleaner is not moving or is moving too slowly.	<p>Check flow with flow gauge or by calculating the cleaner RPM and adjust the flow if necessary using the regulator valve. See page 4.</p> <p>Check for debris inside the cleaner itself. See page 7.</p> <p>Check to be sure the pump has primed. Check for leaks in the system that may prevent proper priming.</p> <p>There may not be enough flow through the system. The filter may need backwashing.</p> <p>Check to be sure that the main drain and all suction lines are closed, except for the suction line to which the cleaner is attached.</p> <p>Check for obstructions in the system (e.g. debris in the filter, pump basket or pump impeller).</p> <p>Pool pump and filter system may be too small to provide proper water flow. Consult your pool professional.</p>
Cleaner's right wheel will not turn when rotated by hand.	<p>Check for obstructions inside the cleaner itself. See page 7.</p>
Cleaner stays in one end of the pool.	<p>Check flow with flow gauge or by calculating the cleaner RPM and adjust the flow if necessary using the regulator valve. See page 4.</p> <p>Check the return line water flow and redirect as necessary with the optional eyeball diverter. See page 6.</p> <p>Check that hose is long enough to reach the furthest point in the pool. See page 5.</p> <p>Check for proper hose float placement. The float may be in the wrong position. See page 2.</p> <p>Be sure that the swivel assembly (at top of cleaner) rotates smoothly. If not, the swivel assembly may be dirty and require cleaning.</p>
Cleaner stays on the main drain.	<p>Check to be sure that main drain is closed. May need assistance from a pool professional.</p> <p>Check to be sure a main drain grate is installed.</p>
Cleaner falls on its side and takes too long to recover.	<p>Check for proper hose float placement. The float may be in the wrong position. See page 2.</p> <p>Check to be sure that the leader hose has been installed and is in the correct location. See page 2.</p> <p>Check that the hose is long enough to reach the furthest point in the pool. See page 5.</p> <p>The return eyeball fittings may be pushing the cleaner hoses away. See page 6.</p>
Hose keeps coiling up.	<p>For best results, when hose is not in use, store it flat and straight and out of sun.</p> <p>Ensure the hose is the correct length. Refer to "Hose Length" on page 5.</p>

REPLACEMENT PARTS



ITEM #	PART #	DESCRIPTION
1	360451	Top Cover Kit
2	360452	Buckle Kit
3	360453	Swivel Kit
4	360454	Wheel Kit
5	360455	Tire Kit
6	360458	Bottom Cover Kit
7	360460	Turbine Kit
8	360462	Drivetrain Kit
9	360463	Roller Kit

ITEM #	PART #	DESCRIPTION
10	41200-0200	Regulator Valve
11	GW9015	Reducer Cone
12	360466	Hose Float
13	360465	Flow Gauge
14	360468	Inlet Insert Kit
15	41201-0236	Eyeball Diverter
16*	360467	Hose Set
17*	360308	Leader Hose

Note: (*) Not Shown



1620 HAWKINS AVE., SANFORD, NC 27330 • (919) 566-8000
10951 WEST LOS ANGELES AVE., MOORPARK, CA 93021 • (805) 553-5000

WWW.PENTAIRPOOL.COM

All Pentair trademarks and logos are owned by Pentair or one of its global affiliates. "Lil Rebel™" is a trademark of Pentair Water Pool and Spa, Inc. and/or its affiliated companies in the United States and/or other countries. Unless expressly noted, names and brands of third parties that may be used in this document are not used to indicate an affiliation or endorsement between the owners of these names and brands and Pentair Water Pool and Spa, Inc. Those names and brands may be the trademarks or registered trademarks of those third parties. Because we are continuously improving our products and services, Pentair reserves the right to change specifications without prior notice. Pentair is an equal opportunity employer.

© 2017 Pentair Water Pool and Spa, Inc. All rights reserved. This document is subject to change without notice.



P/N 372076 REV. A 9/13/17