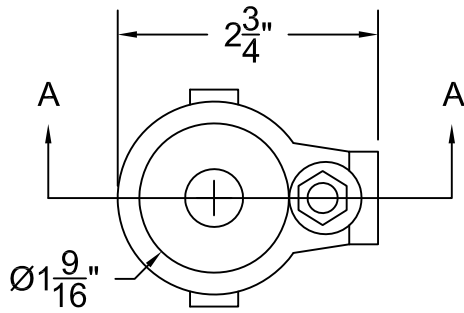
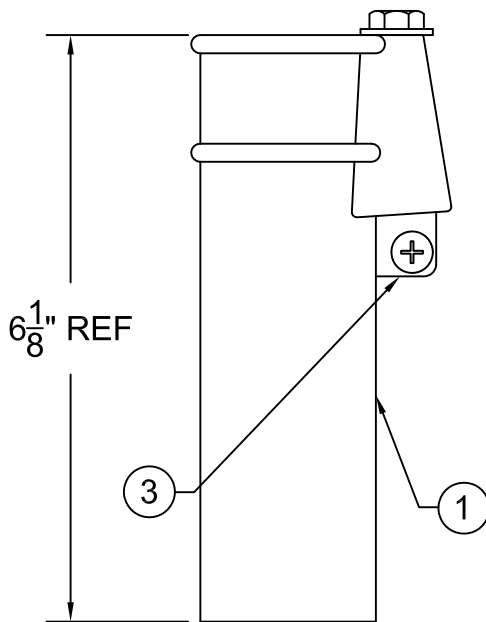
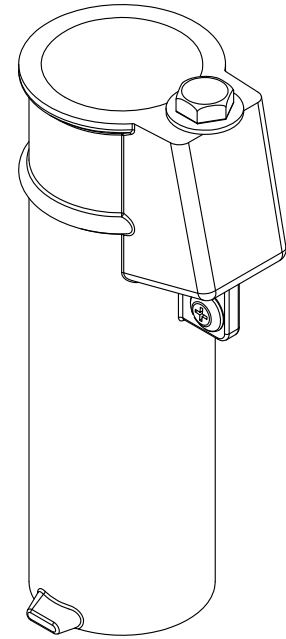


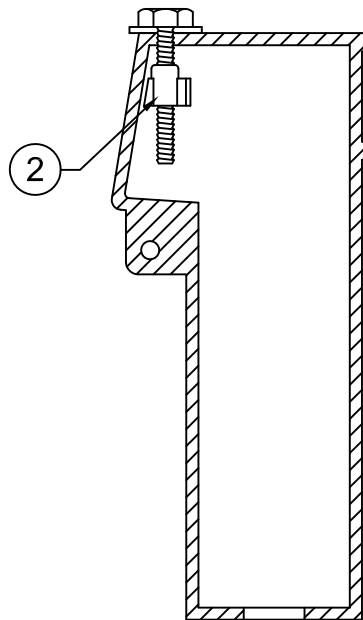
Stainless Steel Wedge Anchor for 1.50" OD



TOP VIEW



SIDE VIEW



SECTION A-A

Part Number: 28105SS

Specifications

- ① Anchor socket body shall be made of T316 Stainless Steel with an electro-polished finish, a hole shall be provided in the bottom of the anchor to assist with drainage. Socket depth shall be 6 inches.
- ② Locking wedge shall consist of a cast bronze wedge with a 3/8" stainless steel bolt.
- ③ Brass screw shall be provided for grounding/bonding purposes.

General

All hardware shall be 18-8 stainless steel. Anchor is to be fully embedded in concrete and installed per Paragon Aquatics installation instructions. Anchor is intended for use with only Paragon Aquatics products.

The data represents the latest knowledge available to us at time of presentation. However, Paragon Aquatics and others involved in gathering and presenting this drawing assume no liability for its use.



**PARAGON
AQUATICS**

Pentair Water
Commercial Pool & Aquatics

1351 Route 55
LaGrangeville, New York
12540
Phone: 845-463-7200
Fax: 845-463-7291
www.paragonaquatics.com

Drawn by: JMM	Date: 9/29/11	Approved by: JMM	Date: 9/29/11
Sheet Title: Stainless Steel Wedge Anchor for 1.50" OD			
Drawing Number: SS-AA20.82A	Revision Letter: B	Sheet: 1 of 1	