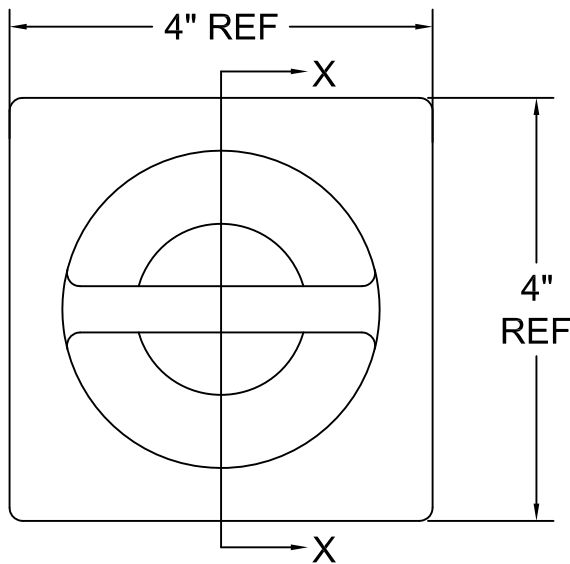
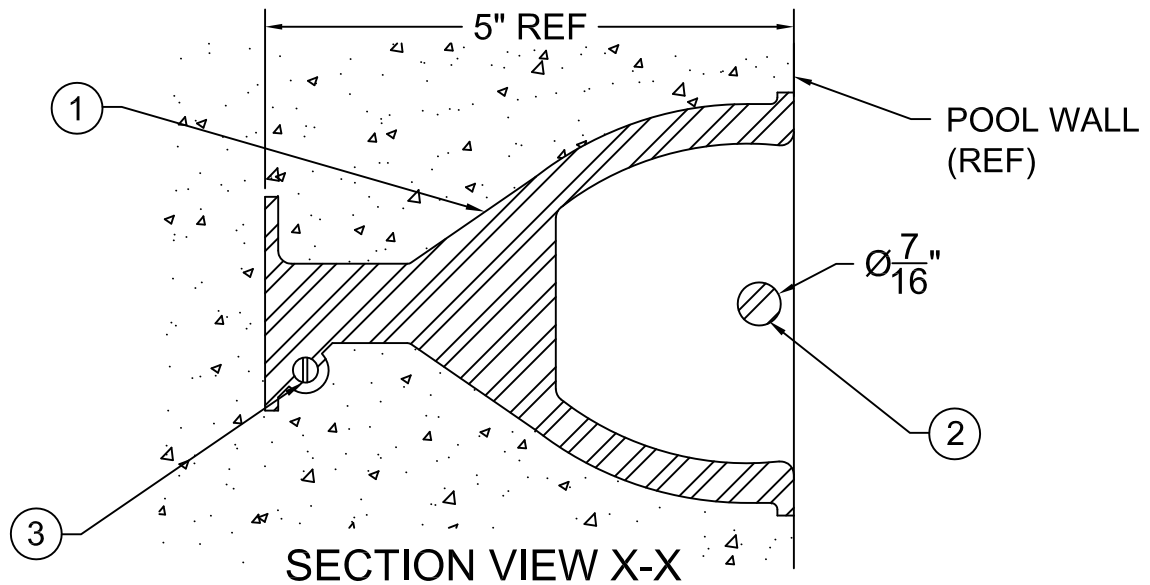
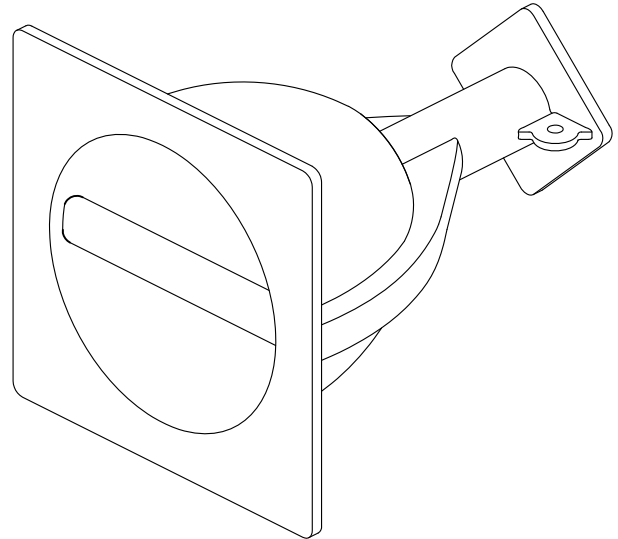


Cup Anchor with Integral Anchor Bar



FRONT VIEW



SECTION VIEW X-X

Part Number: 70316SS

Specifications

- ① Cup anchor shall be made of T316L cast stainless steel. Surface flush with the pool wall shall be ground and polished. Anchor body shall be electro-polished.
- ② Integral anchor bar shall be use to anchor racing lanes and life lines.
- ③ Brass screw shall be provided for grounding/bonding purposes.

General

The stainless steel frame shall be electro-chemically passivated on all worked areas for maximum corrosion resistance. All hardware shall be 18-8 stainless steel. Custom designs and modifications are available upon request.

The data represents the latest knowledge available to us at time of presentation. However, Paragon Aquatics and others involved in gathering and presenting this drawing assume no liability for its use.



**PARAGON
AQUATICS**
Pentair Water
Commercial Pool & Aquatics

1351 Route 55
LaGrangeville, New York
12540
Phone: 845-463-7200
Fax: 845-463-7291
www.paragonaquatics.com

Drawn by: RV	Date: 6/27/08	Approved by: SF	Date: 6/27/08
Sheet Title: Cup Anchor with Integral Anchor Bar			
Drawing Number: SS-AA20.70	Revision Letter: A	Sheet: 1 of 1	